

OPERATOR'S MANUAL

SUPPLEMENT

Model No. 710E-1
710E-29

⚠ WARNING:

Read Engine Owner's Manual, Vehicle Operator's Manual, and Supplement Carefully Before Operating Vehicle.

Parts List



4404 Engle Ridge Drive, Fort Wayne, IN 46804
ph (260) 432-1596 fx (260) 432-7870

**THIS VEHICLE IS FOR
OFF-ROAD USE ONLY**

BEFORE OPERATING THIS VEHICLE, THE OWNER AND/OR OPERATOR MUST UNDERSTAND THE VEHICLE WAS NOT DESIGNED OR MANUFACTURED TO MEET SPECIFICATIONS FOR USE ON STREETS, HIGHWAYS, OR THOROUGHFARES AND HAVE READ AND HAVE AN UNDERSTANDING OF ALL THE INSTRUCTIONS FOR SAFE ASSEMBLY AND OPERATION AS WELL AS THE INSTRUCTIONS GOVERNING THE ENGINE AND OTHER PORTIONS OF THE VEHICLE.

PARTS LIST MODEL 710E

REF	PART#	DESCRIPTION
1	12391-37 12391-44	FRAME – RED WAGON FRAME – MINERAL BRONZE
2	12345	REAR SWINGARM ASSY (INCL #15)
3	11954-2Z	RIGHT FRONT SWINGARM W/ZERK
NI	11955-2Z	LEFT FRONT SWINGARM W/ZERK
4	11923-37 11923-44	REAR BAR – RED WAGON REAR BAR – MINERAL BRONZE
5	11925-37 11925-44	OVERHEAD BAR – RED WAGON OVERHEAD BAR – MINERAL BRONZE
6	12011-2	SEAT FRAME – BLACK
7	9022	WASHER ½ STD FLAT ZINC
8	9188	BOLT ½-13 X 1.50 HHCS G5 ZINC
9	13503	NUT ½-13 CENTERLOCK HEX ZINC
10	1264	BOLT ½-13 X 3.75 HHCS G2 ZINC
11	10834	BOLT ½-13 X 7.00 HHCS G5 ZINC
12	1104	SPACER SPLIT .812OD .625ID 1.00LONG
14	1046	NUT 5/8-11 TL HEX ZINC
15	12140	BRONZE BUSHING .625 X 1.25
16	12141	SHOULDER BOLT ½ X 1.875
17	12826	16 X 6.5 X 8 FRONT WHEEL ASSY (INCLUDES 18-21)
18	5090	BEARING 5/8 ID 1-3/8 OD SNAP RING
19	5950	SPANNER 5/8 ID X 2-1/8 SSZ
20	12829	TIRE - 16 X 6.50 X 8 POLAR TRAC
21	9609	TUBE - 16/8.0 X 7
22	11950-2Z	RIGHT SPINDLE BLACK WITH ZERK
NI	11951-2Z	LEFT SPINDLE BLACK WITH ZERK
23	12467	TIE ROD ASM LONG (INCL. 25,26,28-30)
24	12001	TIE ROD ASSY (INCL. 25-27,29,30)
25	1414	RIGHT THREAD ROD END
26	9092	RIGHT JAM NUT 3/8-24
27	11886	TIE ROD 5"
28	12466	TIE ROD 16.5"
29	9024	LEFT JAM NUT 3/8-24
30	1415	LEFT THREAD ROD END
31	9158	BOLT 3/8-16 X 2.25 HHCS G5 ZINC
32	9146	BOLT 3/8-16 X 1.50 HHCS G5 ZINC
33	6293-16	BRAKE PEDAL
34	6309-16	THROTTLE PEDAL
35	1189	NUT 5/16-18 HEX TL ZINC
36	8655	SEAT SLIDE – PAIR
37	9176	BOLT 5/16-18 X 1.00 HHCS G5 ZINC
38	1447	BOLT 5/16-18 X 11/16 THD SHOULDER
39	9091	WASHER FLAT 3/8 SAE N ZINC
41	1848	BOLT ¼-20 X 1.25 HHCS G5 ZINC
42	1849	BOLT ¼-20 X 1.50 HHCS G5 ZINC
43	1846	BOLT ¼-20 X .750 HHCS G5 ZINC
44	1847	BOLT ¼-20 X 1.00 HHCS G5 ZINC
45	1389	BUSHING .25ID X .031G X .313
46	9502	PEDAL SPRING – LEFT WOUND
47	9503	PEDAL SPRING – RIGHT WOUND
48	1854	WASHER NBR 14 FLAT MS ZINC
49	8251	THROTTLE CABLE (INCLUDES #50)
50	9058	NUT 5/16-24 HEX JAM
53	11997-2	FRONT BRAKE ROD – 11.125 INCH

REF	PART#	DESCRIPTION
54	11996-2	REAR BRAKE ROD
55	10335	BRAKE CALIPER MB1
56	12496	STEERING WHEEL
NI	12481	STEERING WHEEL CAP
57	9103	BOLT ¼-20 X 2.00 HHCS G2 ZINC
58	9057	NUT ¼-20 TL ZINC
59	3818	CHAIN 420 X 80P (INCL #60)
60	2037	MASTER LINK 420
61	1412	WH ASSY 8IN STL (INCLUDES 62 & 63)
62	1452	TIRE – 22 X 11-8 KNOBBY
63	1430	TUBE – 18/9.5 X 8
64	G0725	LOOM 7.25L X 1.625OD
65	1557H	WHEEL FLANGE ASSY – HEX
66	1428	NUT ½-20 CONE WHEEL
67	8227	NUT ¼-20 CLIP
68	11387	LOOP CLIP 1.25ID
69	1876	BOLT ¼-20 X .625 HH WF ZINC
71	2449	TINNERMAN NUT
72	12352	TOP GUARD
73	12155	BOTTOM GUARD
74	13336	TAV COVER ASSEMBLY
75	9929	BLACK VINYL CAP
76	8778	LAP/SHOULDER SEAT BELT
77	12015	SHOCK ABSORBER
78	9190	BOLT 3/8-16 X 3.25 HHCS G5 ZINC
79	9085	NUT 3/8-16 TL HEX ZINC
80	9192	NUT 3/8-16 HEX WF
81	8118	CHOKE CABLE
82	1263	NUT 5/16-18 HEX WF ZINC
83	11330	WARNING DECAL SHEET
84	12008	WARNING DECAL SHEET
85	12843	XTK DECAL (MODEL710E-1 ONLY)
86	11836	FLOOR PAN SCUFF DECAL
87	11636	BACK/BOTTOM SINGLE SEAT
88	8484	CLEVIS PIN ¼ X 1.50
89	4372	HANDHOLD
90	9116	COTTER PIN 3/32 X .750 ZINC
91	9006	BOLT ¼-20 X .50 HH WF
WD	13590	HARNES WIRING
WD	13589	LIGHT/STOP SWITCH WIRING
WD	13097	REPLACEMENT – LIGHTS ONLY (PAIR)
NI	9389	10 AMP FUSE (USED IN RUN LIGHTS)
WD	12761	VOLTAGE REGULATOR
94	6773-2	PARKING BRAKE HANDLE
95	6441	WASHER 3/8 SPRING PL
96	9172	SHOULDER BOLT 3/8 X ¼
97	6440	NUT 5/16-18 JAM
98	6442	BRAKE HANDLE COVER
99	9869	SPACER .25ID .312OD .625 BR
100	12018	RIGHT SIDE PANEL
NI	12019	LEFT SIDE PANEL
102	9125	WASHER FLAT 3/8 USS W ZINC

PARTS LIST MODEL 710E

REF	PART#	DESCRIPTION
103	12039	FOAM 2.25 X 1.125 X 4.50
104	1019	CABLE TIE - 7INCH
105	12252	10HP ROBIN ENGINE
ASM	2594	DRIVER PULLEY (INCLUDES 106 - 114)
106	**	COVER AND DRIVE PLATE
107	2472	EXTENSION SPRING
108	2470	CAM ROLLER
109	2471	SPRING CLIP
110	**	MOVEABLE FACE AND HUB
111	2474	GUIDE BUSHING
112	2475	COMPRESSION SPRING
113	**	RETAINING RING
114	**	FIXED FACE AND POST
ASM	8664	DRIVEN PULLY (INCLUDES 115, 117-123)
115	**	FIXED FACE AND POST
116	1031	KEY 3/16 SQ X .50L
117	2483	SPACER
118	**	MOVEABLE FACE AND CAM
119	2516	BUTTON INSERT
120	2480	TORSION SPRING
121	**	FIXED CAM
122	2478	THRUST WASHER
123	2477	RETAINING RING
124	1466	NUT 5/8-11 FLEXLOCK JAM
125	9101	BOLT 5/16-24 X .50 HHCS G5 NL ZINC
126	12350	BOLT STUD 7/16-20 X 4.25 G5 ZINC
127	2467	WASHER 7/16 SL
128	2468	PILOT WASHER
129	8720	SPROCKET 420P 9T INTEGRAL KEY
130	3403	KEY 3/16 SQ X 2.000
131	1119	SPACER .625ID 1.062OD .125 THK
132	1082	SPACER 1.00ID 14G .438L ZINC SPLIT
133	11808	BLACK VINYL CAP
134	13079-2	COVER PLATE BLACK
136	3887	SPACER - 1.0 ID X 1/16
137	12346	DRIVE BELT
138	13078-2	TAV CHASSIS BLACK
139	2430	SPANNER 5/8 ID X 7-1/8 - 14 GA
140	8854	JACKSHAFT - 13.688
141	12349	ENGINE SUPPORT SPACER ASM
142	11802	AXLE
143	6314H	ROTOR 8 HEX
144	8462-16	SPACER 1.00ID 12G 2.75L ZINC
145	9060	WASHER 5/16 TYPE A PLAIN SAE N ZINC
146	2265-16	SPACER 1.00ID 12G .750L ZINC
147	3941H	BEARING PRECISION,SEAL .875HEX
148	6617	BEARING FLANGE HEAVY
149	1194	WASHER 3/4 SAE FLAT ZINC
150	13355	NUT 3/4-10 HEX CENTERLOCK ZINC
151	9338	SPROCKET 420P 60T
152	6280H	HEX SPROCKET HUB
153	6701	BOLT 5/16-18 X 1.25 SHCS PLAIN
154	11928-37 11928-44	CENTER BAR - RED WAGON CENTER BAR - MINERAL BRONZE
155	6320	HEADREST - SINGLE

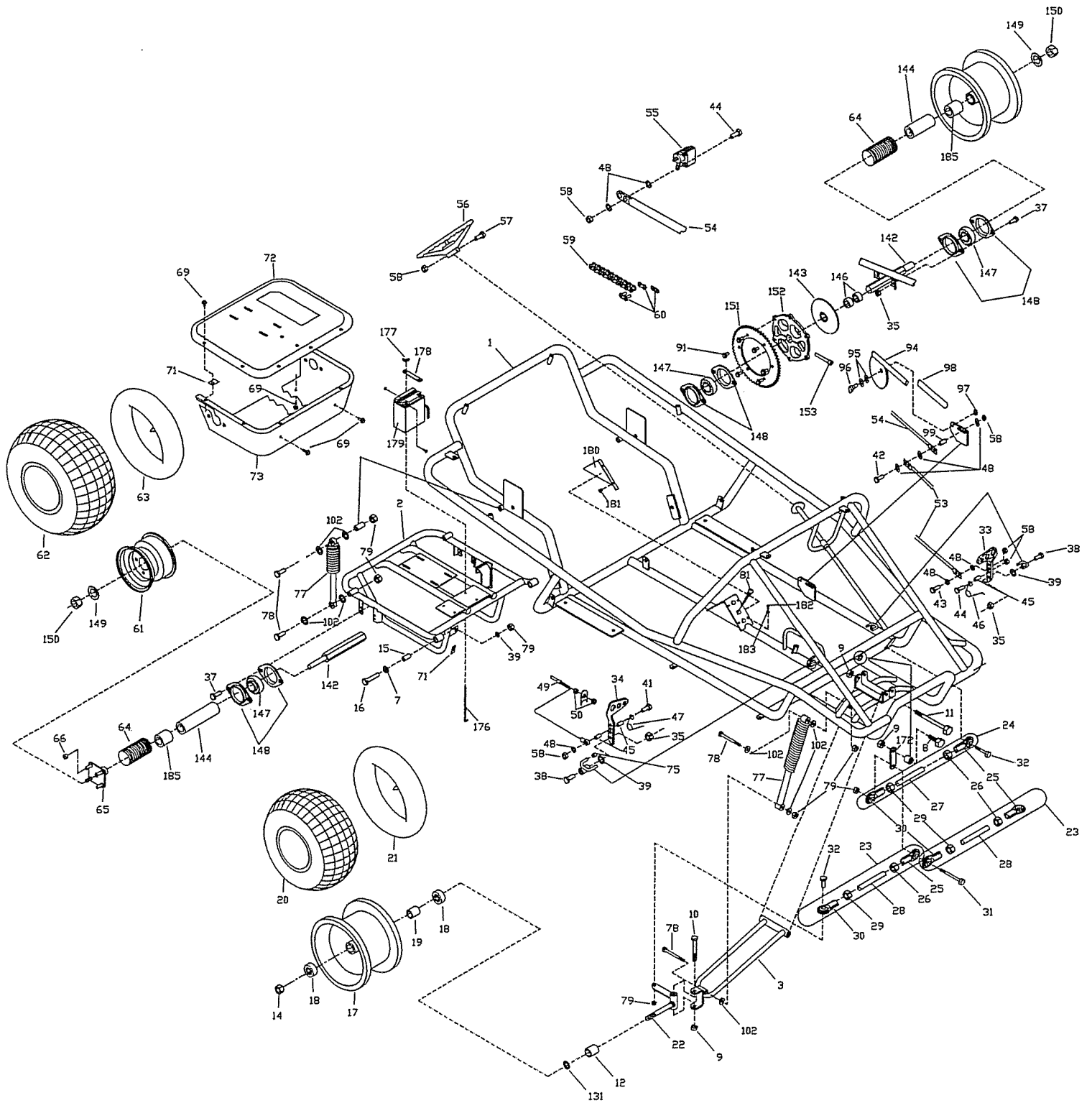
REF	PART#	DESCRIPTION
156	5447	SAFETY FLAG - 6 FT
157	12016-2	HEADREST FRAME BLACK
158	9810	BRAKE PAD KIT (INCLUDES 159 - 161)
159	**	ANVIL W/LINING
160	**	BRAKE LINING
161	3928	BACKING PLATE
162	3930	ACTUATOR PIN
163	3931	ADJUSTER PIN
164	3932	ADJUSTER SCREW LOCKNUT
165	9158	BOLT 3/8-16 X 2.25 HHCS G5 ZINC
ASM	6534	MB-1 SERVICE KIT(INCLUDES 166 - 168)
166	**	GROOVE PIN
167	**	LEVER
168	**	BRAKE HOUSING
169	11361	FLAG MOUNTING BOLT
170	6452	BOLT 3/8-16 X 5.00 HHCS G5 ZINC
171	2386	BOLT 3/8-16 X 3.50 HHCS G5 ZINC
172	11943-2	STEERING PIVOT LEVER
173	13048	IMPELLER
174	8604	NUT 7/16-20 HEX
175	8402	NUT 7/16-20 TL HEX
176	9430	BATTERY HOLD DOWN ROD
177	9468	NUT NBR 10-32 NL WING
178	9642-2	BATTERY CLAMP BAR BLACK
179	13324	BATTERY
NI	12149	BATTERY BOOT - RED
NI	12150	BATTERY BOOT - BLACK
WD	3610	BATTERY CABLE BLACK 9IN
180	6803-2	CONTROL PANEL COVER BLACK
181	5135	TINNERMAN NUT
182	6046	BOLT NBR 10-24 X .500 HHMS ZINC
183	6039	WASHER NBR 10 IL ZINC
185	4913-16	SPACER 1.00 X 12G X 3.00L ZINC
186	12348	RETURN SPRING
187	12347	SWIVEL SCREW

ASM = ASSEMBLY

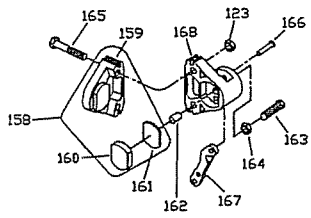
NI = NOT ILLUSTRATED

WD = WIRING DIAGRAM

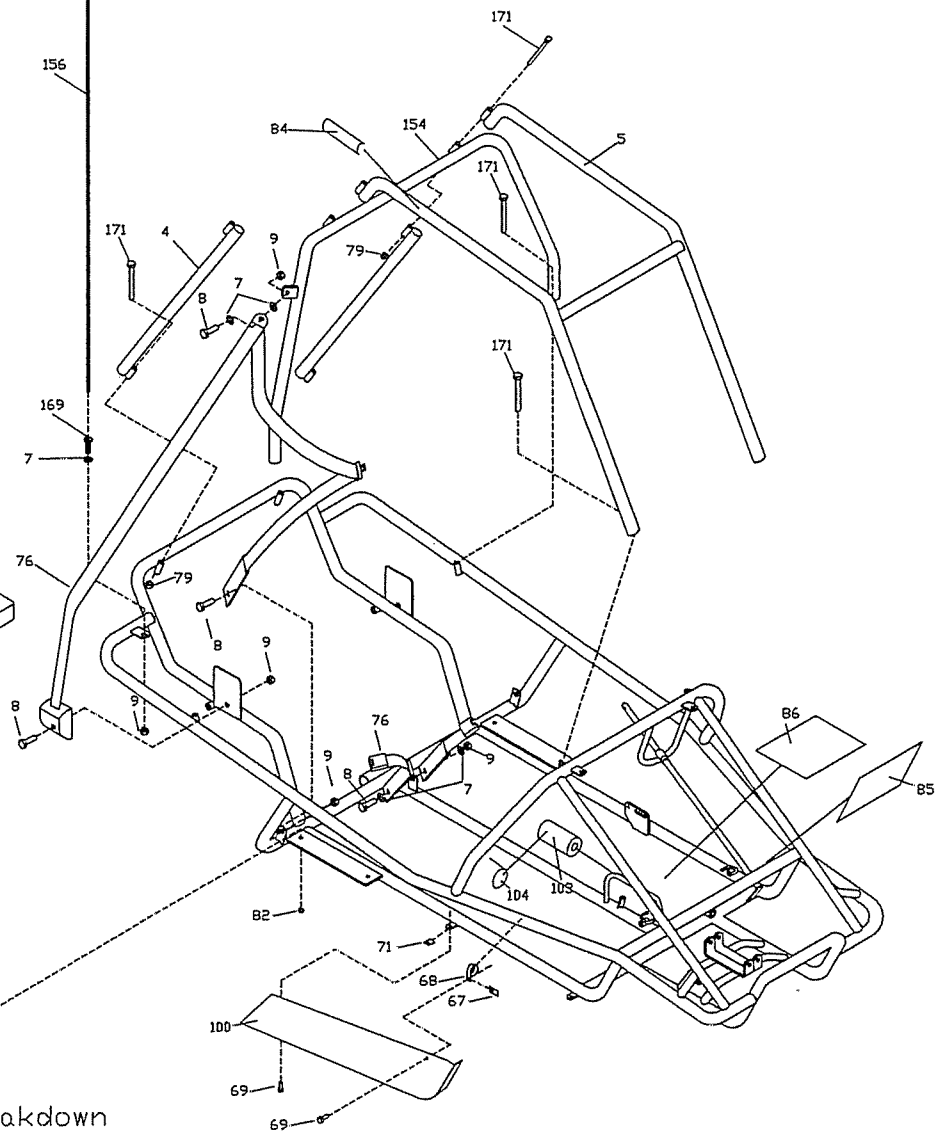
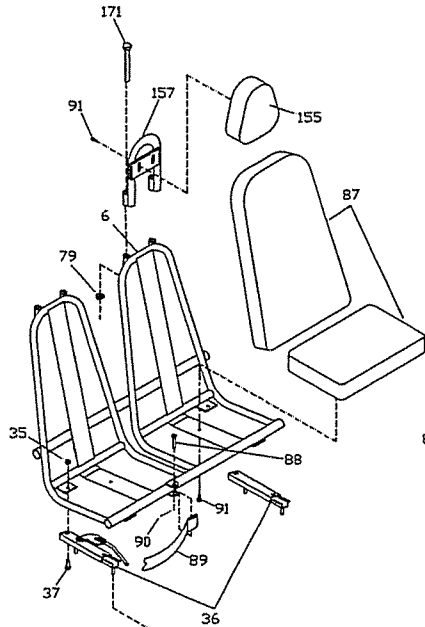
****** = NOT SOLD SEPERATELY



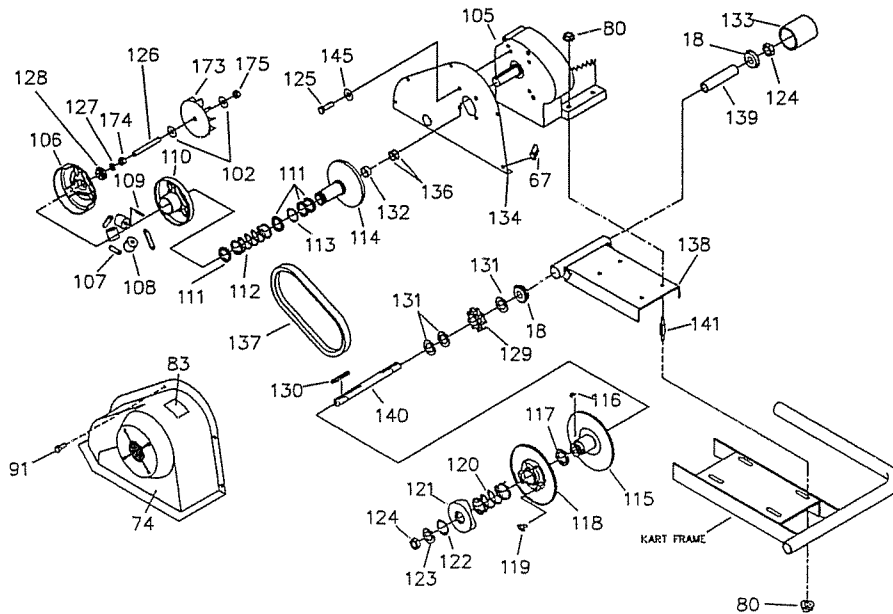
Brake Caliper Breakdown



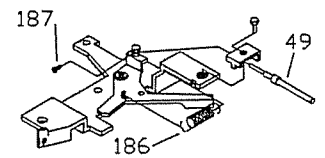
Orientation of lever and hardware may vary.

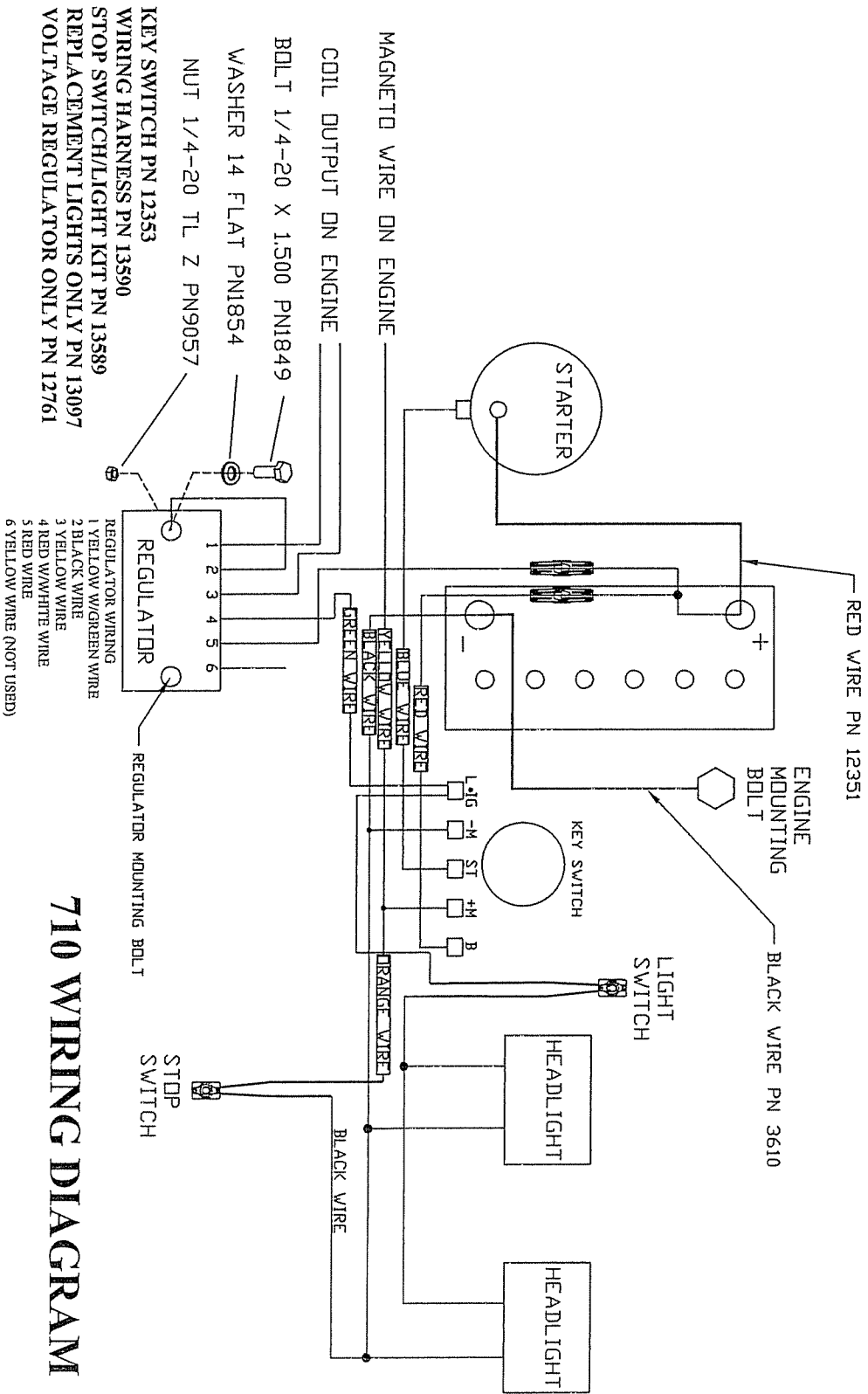


Torque Converter Drive Breakdown



THROTTLE LINKAGE DETAIL





710 WIRING DIAGRAM

12172 R9