

61X/637/640 LIGHT KIT INSTALLATION INSTRUCTIONS



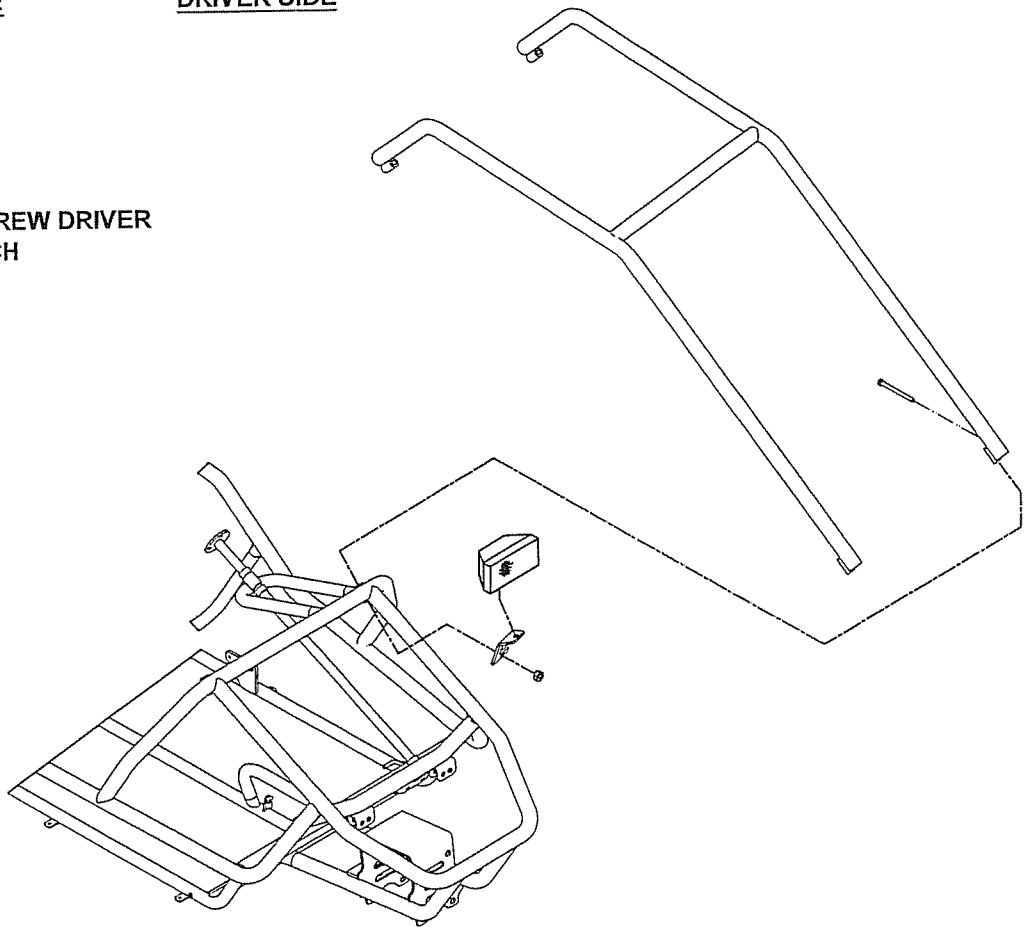
RH BRACKET (PN13386-2)
PASSENGER SIDE



LH BRACKET (PN13387-2)
DRIVER SIDE

TOOLS REQUIRED

- 1) (1) PHILLIPS SCREW DRIVER
- 2) (2) 9/16" WRENCH



LIGHT KIT INSTALLATION INSTRUCTIONS

- 1) PRIOR TO INSTALLING (2) 9085 NUTS ON OVERHEAD BAR BUSHINGS, INSTALL THE RH (13386-2) AND LH (13387-2) LIGHT BRACKETS AS SHOWN
- 2) INSTALL (2) 9085 NUTS
- 3) TIGHTEN NUTS MAKING SURE THAT BRACKETS ARE LEVEL FOR LIGHT MOUNTING
- 4) INSTALL LIGHT TO EACH BRACKET
- 5) PLUG IN BULLET CONNECTORS FROM WIRING HARNESS TO EACH LIGHT ASSEMBLY.
WIRE CONNECTION COLORS ARE NOT IMPORTANT
- 6) SNUG DOWN EACH LIGHT MOUNTING BOLT SUCH THAT LIGHT CANNOT ROTATE
- 7) PULL DOWN RUBBER SLEEVE UNDER EACH LIGHT TO EXPOSE PHILLIPS HEAD SCREW
- 8) AIM THE LIGHT AND SNUG DOWN THE PHILLIPS SCREW TO SET THE LIGHT POSITION
- 9) REPLACE RUBBER SLEEVE AND SLIP ALL WIRING INTO CORRUGATED HARNESS