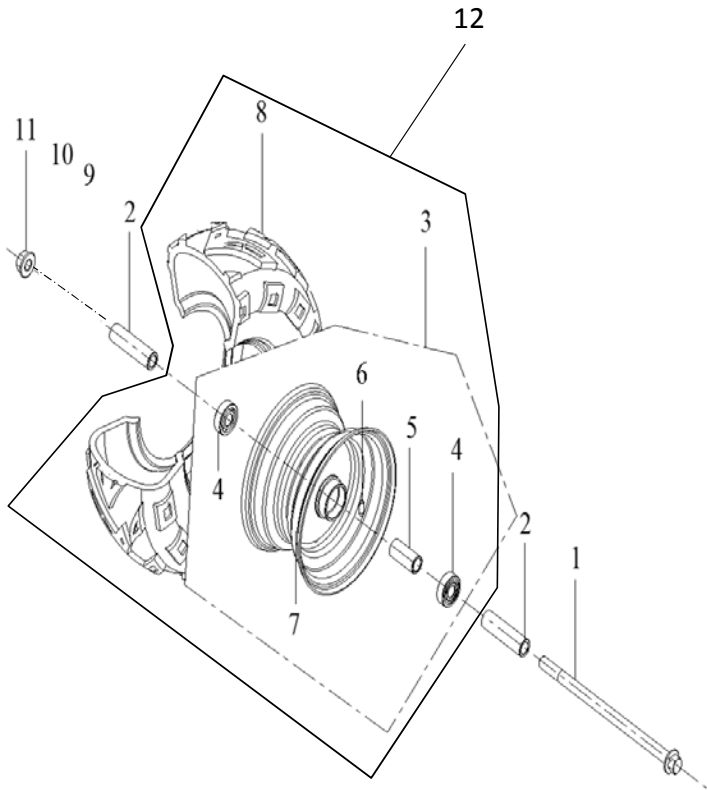
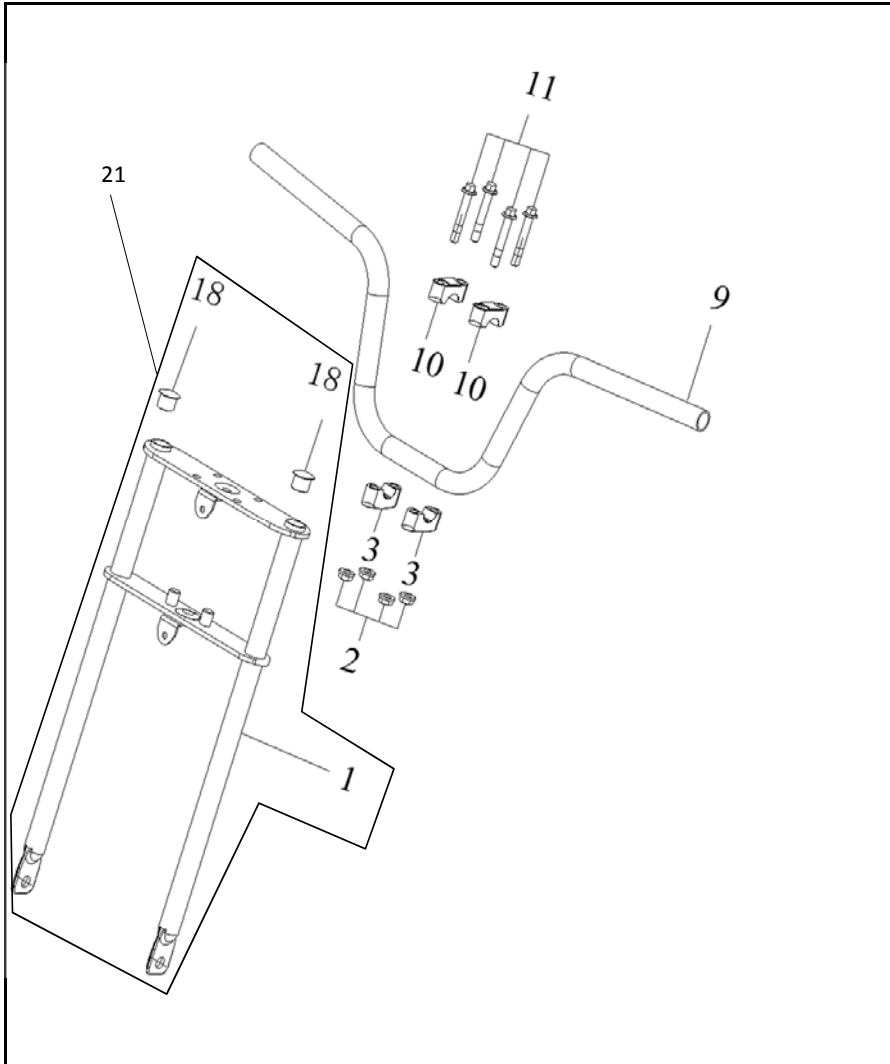


YOUTH MINI BIKE MM-B80(FSD80P) SPARE PARTS LIST

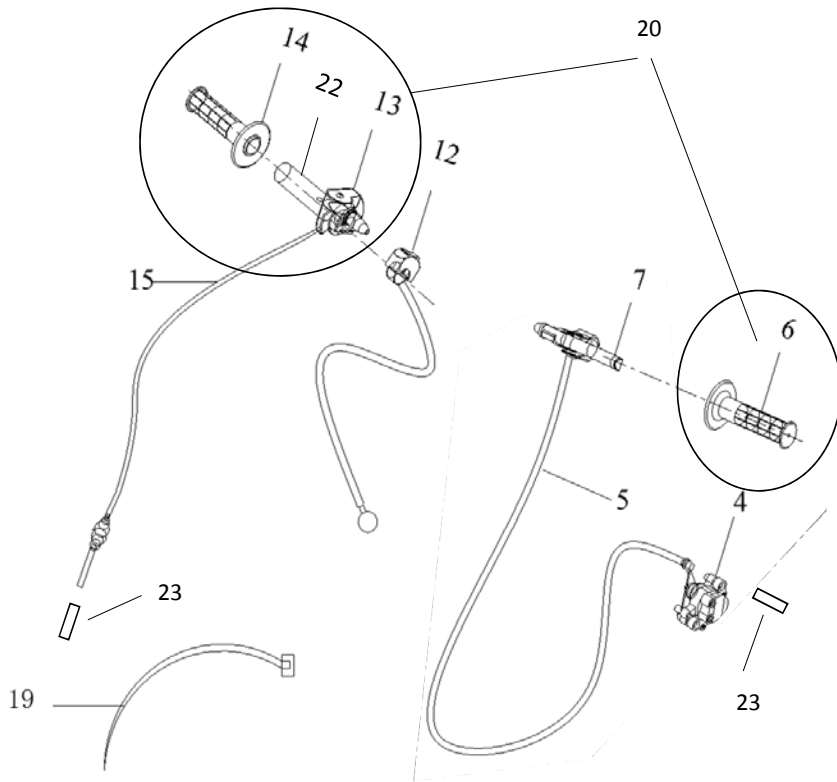


No.	OLD MM#	NEW MM#	DESCRIPTION
1	10100	90-10000-00	AXLE BOLT M12 X 1.25 X 215
2	10101	90-10001-00	SPACER, AXLE M12.5ID X 18OD X 62L
3	10102	30-10016-00	WHEEL ASSY.
4	10103	90-10173-00	BEARING, ROLLER SEALED 6201RZ
5	10104	90-10174-00	SPACER, INNER M12.5ID X 18OD X 40L
6	10105	30-10000-00	VALVE, TIRE W/ CAP
7	10106	30-10001-00	WHEEL, FRONT 6 INCH
8	10107	30-10002-00	TIRE, TUBELESS 145/70-6
9	10108		NOT USED
10	10109		NOT USED
11	10110	90-10002-00	NUT, LOCKING M12 X 1.25
12		30-10015-00	WHEEL/TIRE ASSY (#3 & #8)

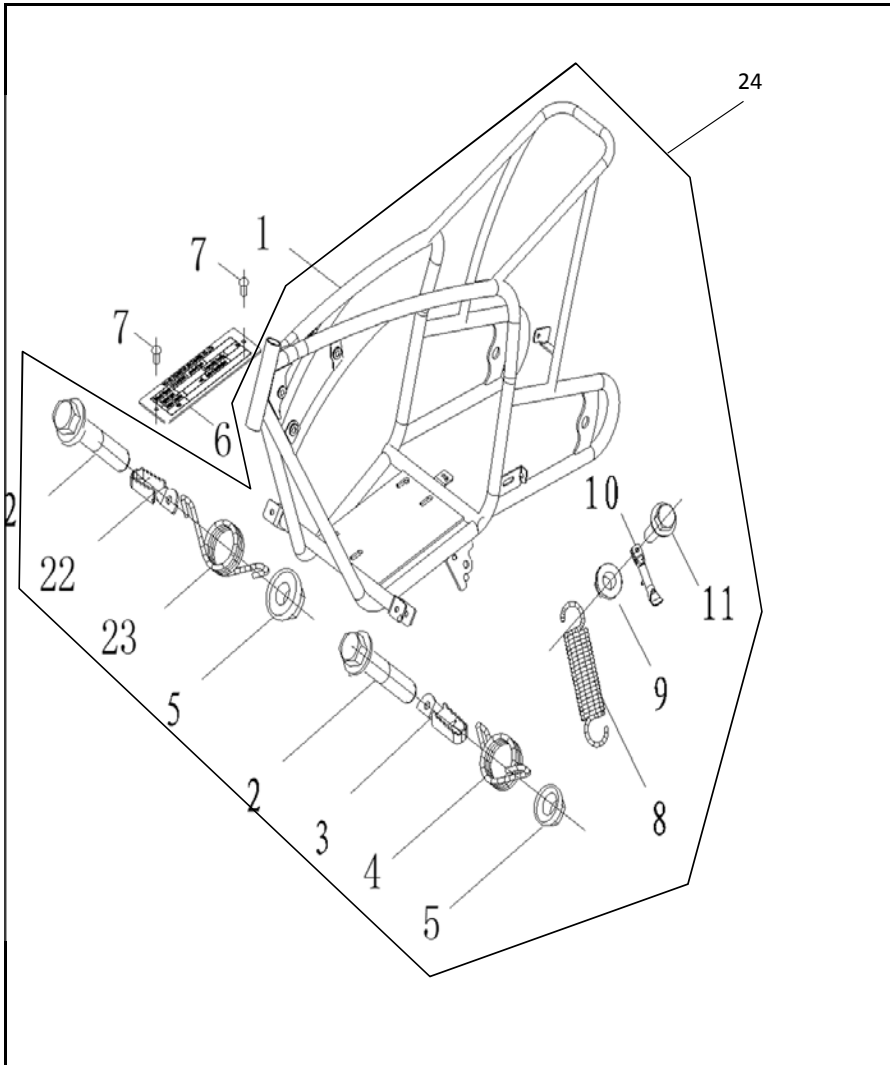
Find the part you need by searching our site with the part numbers from above.



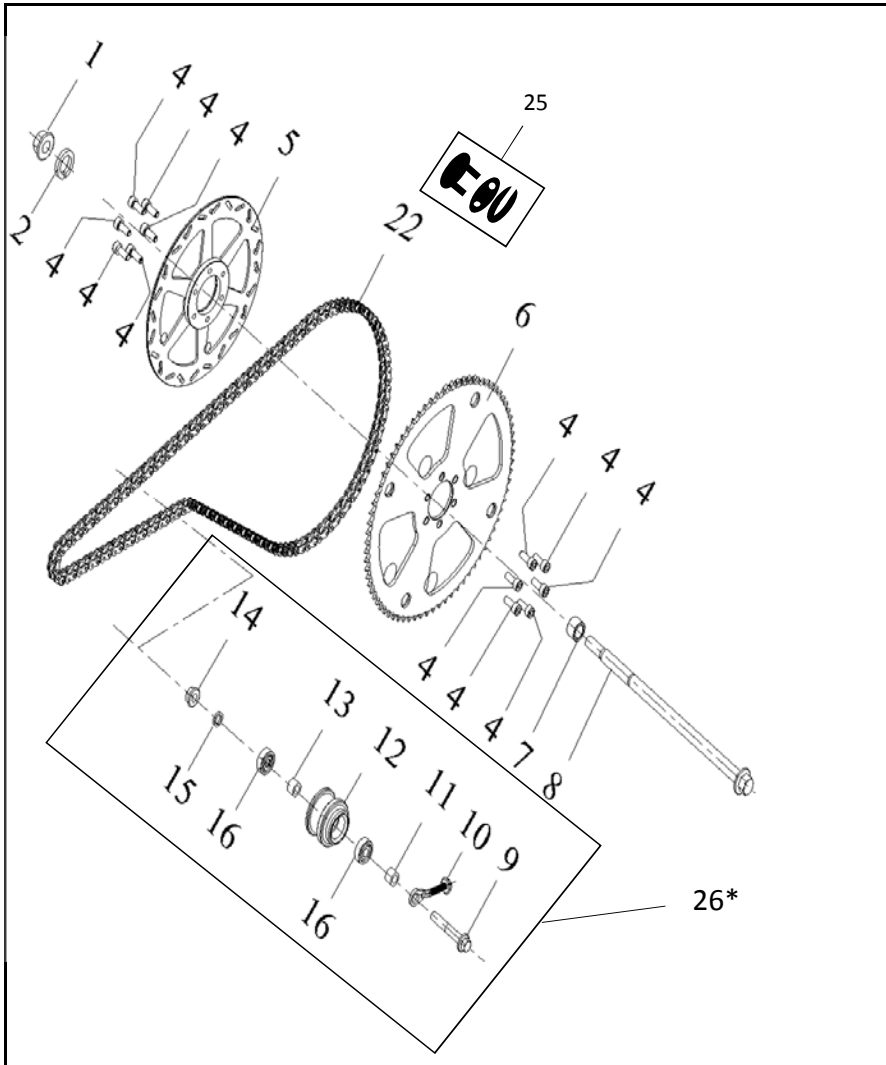
No.	OLD MM#	NEW MM#	DESCRIPTION
1	10111	10-10000-00	FORK, FRONT
2	10112	90-10006-00	NUT, LOCKING FLANGED M8 X 1.25
3	10113	90-10008-00	CLAMP, LOWER HANDLEBAR RISER
4	10114	50-10000-00	CALIPER, BRAKE W/ PADS
5	10115	60-10001-00	CABLE, BRAKE
6	10116	60-10002-00	GRIP, LEFT HANDLEBAR
7	10117	60-10003-00	LEVER ASSY, BRAKE W/ PERCH & ADJ.
8	10118		N/A
9	10119	60-10000-00	HANDLEBAR
10	10120	90-10009-00	CLAMP, UPPER HANDLEBAR RISER
11	10121	90-10007-00	BOLT, FLANGED M8 X 1.25 X 55
		10-10016-00	Fork Assy, Suspension Right MM Logo
		10-10017-00	Fork Assy, Suspension Left MM Logo
		10-10018-00	Plate Set, Upper and Lower for Front Suspension
		90-10156-00	Spacers, Axle 12.5 ID x 18 OD x 63.6 L (mm) BLACK
		90-10156-01	Spacers, Axle 12.5 ID x 18 OD x 63.6 L (mm) ZINC



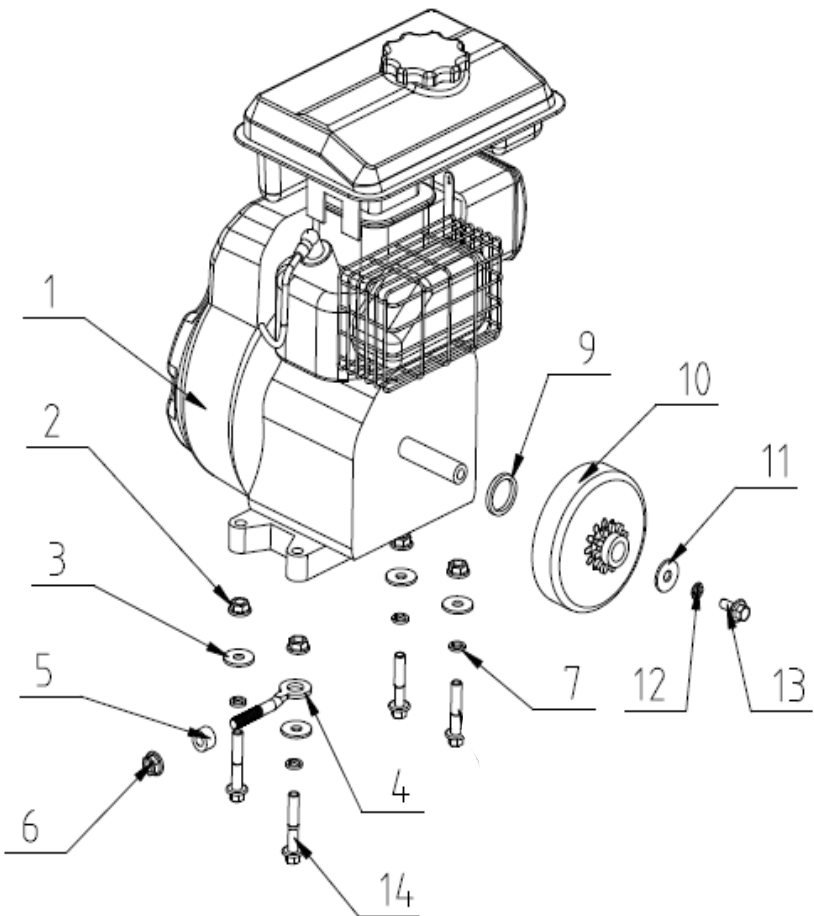
No.	OLD MM#	NEW MM#	DESCRIPTION
12	10122	70-10000-00	SWITCH, STOP ENGINE
13	10123	60-10007-00	THROTTLE HOUSING, PLASTIC WINDOW, RED WHEEL
13		60-10007-01	THROTTLE HOUSING, PLAIN
14	10124	60-10005-00	GRIP, Right Handlebar w/Throttle Tube For Window Throttle
14		60-10005-01	Grip, Right Handlebar w/Throttle Tube For Plain Throttle
15	10125	60-10006-00	CABLE, THROTTLE
16	10126		N/A
17	10127		N/A
18	10128	80-10000-00	PLUG, RUBBER
19		95-10008-00	TIE, CABLE 5.5" Black
20		60-10004-01	THROTTLE/GRIP ASSY (6,13,14, 22) PLAIN
21			
22	20031	60-10021-00	TUBE. THROTTLE For Throttle w/Window & Red Wheel
22		60-10021-01	TUBE, THROTTLE FOR PLAIN THROTTLE
23		90-10172-00	CAP, CABLE END ALUMINUM CRIMP ON



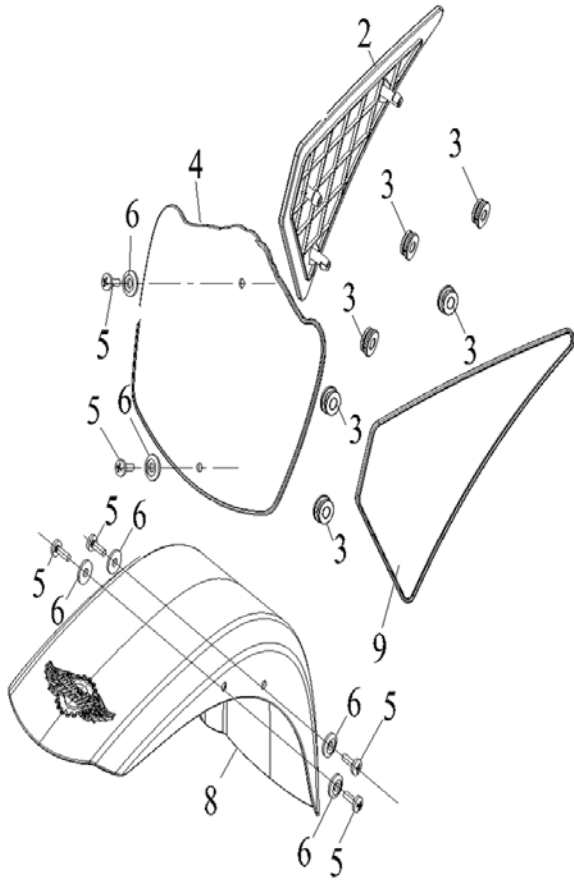
No.	OLD MM#	NEW MM#	DESCRIPTION
1	10129	10-10001-00	FRAME, Includes (19,20)
2	10130	90-10030-00	BOLT, FLANGED M8 X 1.25 X 45 (PREFERRED PART)
2		90-10034-00	Bolt, FLANGED M8 X 1.25 X 40
3	10131	10-10002-00	FOORTREST, LEFT
4	10132	90-10038-00	SPRING, LEFT FOOTREST
5	10112	90-10006-00	NUT, LOCKING FLANGED M8 X 1.25
6	10134	85-10004-00	PLATE, PIN (PRODUCT IDENT. NUMBER, USA) Not Avail. For Sale
7	10135	90-10012-00	RIVET 3MM
8	10136	90-10047-00	SPRING, SIDESTAND 3.25" L Use w/ Sidestand 10-10003-00
8		90-10047-01	SPRING, SIDESTAND 2.875" L Use w/ Sidestand 10-10003-01
9	10137	90-10014-00	NUT, LOCKING FLANGED M10 X 1.25
10	10138	10-10003-00	SIDESTAND
10		10-10003-01	SIDESTAND, USE WITH SPRING 90-10047-01
11	10139	90-10091-00	BOLT, FLANGED M10 X 1.25 X 30
24		10-10014-00	FRAME ASSY. (1,2,3,4,5,8,9,10,11,22,23)



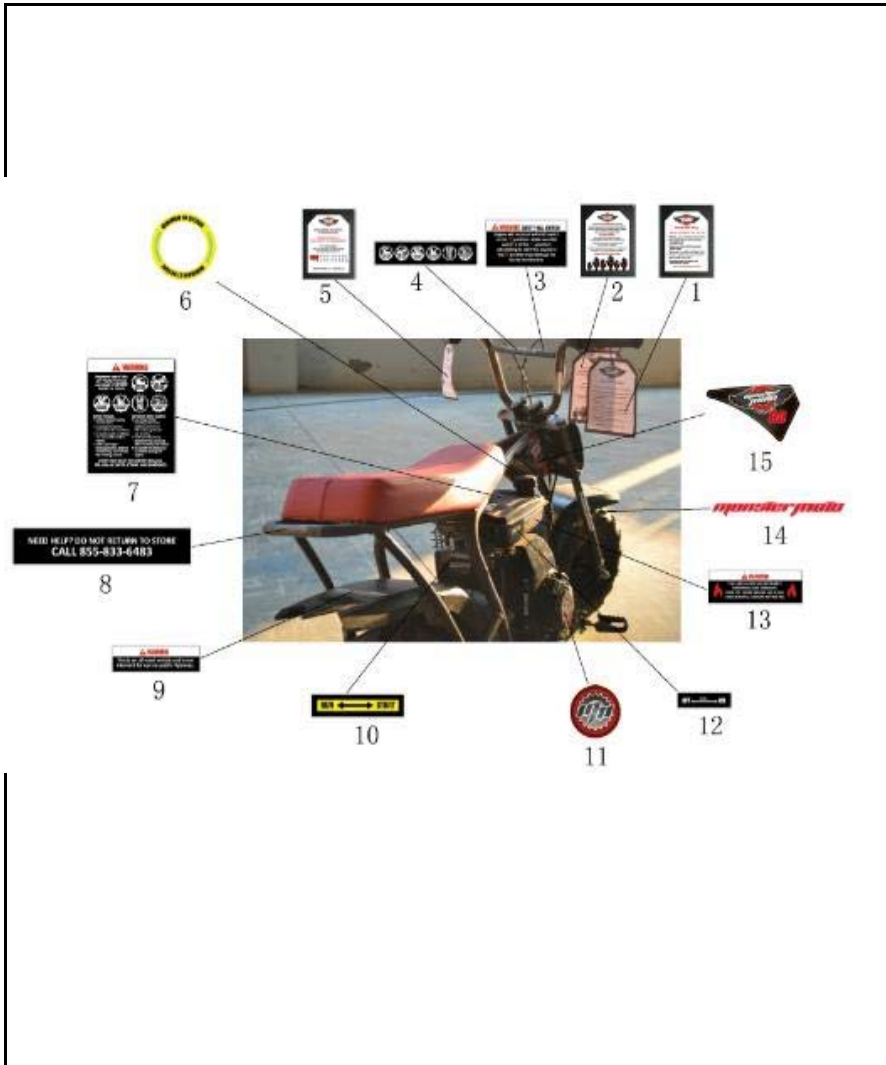
No.	OLD MM#	NEW MM#	DESCRIPTION
1	10152	90-10002-00	NUT LOCKING M12 X 1.25
2	10108	90-10005-00	WASHER, FLAT M12
3			not used
4	10155	90-10023-00	BOLT, SOCKET HEAD BLACK M6 X 1.0 X 12
5	10156	50-10001-00	ROTOR, BRAKE
6	10157	40-10000-00	SPROCKET, DRIVEN #35 75T
7	10158	90-10024-00	SPACER, 12.5ID X 18OD X 12.5L
8	10159	90-10025-00	BOLT, AXLE FLANGED M12 X 1.25 X 255
9	10160	90-10007-00	BOLT, FLANGED M8 X 1.25 X 55
10	10161	90-10026-00	BOLT, EYELET ZINC W/ NUT M6 X 1.0
11	10162	90-10027-00	SPACER, 8.5ID X 14OD X 9L
12	10163	40-10002-00	ROLLER, CHAIN TENSIONER
13	10162	90-10027-00	SPACER, 8.5ID X 14OD X 9L
14	10165	90-10006-00	NUT, LOCKING FLANGED M8 X 1.25
15	10166	90-10029-00	WASHER, FLAT M8
16	10167	90-10177-00	BEARING, BALL 608RS
		90-10031-00	NUT, LOCKING ZINC M6 X 1.0 (Included in #10)



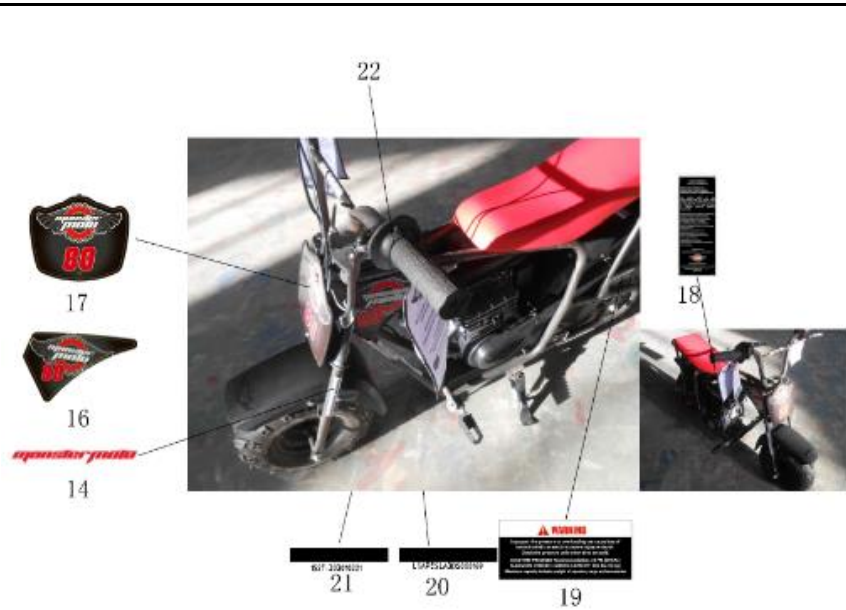
No.	OLD MM#	NEW MM#	DESCRIPTION
1	10175	20-10000-00	ENGINE, LIFAN 79.5CC
2	10165	90-10006-00	NUT, LOCKING FLANGED M8 X 1.25
3	10166	90-10029-00	WASHER, FLAT M8
4	10178	90-10028-00	BOLT, EYELET ZINC M8 X 1.25
5	10162	90-10155-00	Spacer, Black 8.35 ID x 14.00 OD x 9.25 L
6		90-10044-00	NUT, ZINC M8 X 1.25 FOR ENGINE EYELET ADJ. BOLT
7	10179	90-10033-00	WASHER, SPLIT M8
8			NOT USED
9	10184	90-10037-00	SPACER, ENGINE OUTPUT SHAFT M15ID X 22OD X 5L
10	10183	40-10004-00	CLUTCH, CENTRIFUGAL W/ DRIVE SPROCKET 11T
11	10182	90-10036-00	WASHER, FENDER ZINC M6
12	10179	90-10017-00	WASHER, SPLIT M6 FOR CLUTCH BOLT
13	10181	90-10035-00	BOLT, FLANGED ZINC M6 X 1.0 X 16
14	10180	90-10034-00	BOLT, FLANGED M8 X 1.25 X 40
	10268	20-10019-00	Carburetor Assy.For Lifan 79.5cc 152-F



No.	OLD MM#	NEW MM#	DESCRIPTION
1	10186	80-10002-00	SEAT, RED
		80-10003-00	SEAT, TAN
		80-10004-00	SEAT, BLACK
2	10187	80-10005-00	COVER, RIGHT GUSSET
3	10188	90-10179-00	GROMMET, RUBBER
4	10189	80-10006-00	PLATE, FRONT NUMBER
5	10190	90-10039-00	BOLT, PHILLIPS #3 M6 X 1.0 X 16
6	10191	90-10040-00	WASHER, SPECIAL PLASTIC M6
7	10192		N/A
8	10193	80-10007-00	FENDER, FRONT BLACK
		80-10114-00	FENDER, FRONT MUDDY GIRL
		80-10117-00	FENDER, FRONT AMERICAN FLAG
		80-10120-00	FENDER, FRONT MOSSY OAK
		80-10129-00	FENDER, FRONT REALTREE
		80-10123-00	FENDER, FRONT PHANTOM FLAME
		80-10126-00	FENDER, FRONT BONEYARD
9	10194	80-10011-00	COVER, LEFT GUSSET



No.	OLD MM#	NEW MM#	DESCRIPTION
1			
2			
3			
4			
5			
6			
7			
8			
9			
10			
11			
12			
13			
14			
15			
		80-10069-00	DECAL SET, BRANDED BLACK
		80-10074-00	DECAL SET, BRANDED REALTREE
		80-10075-00	DECAL SET, BRANDED AMERICAN FLAG
		80-10076-00	DECAL SET, BRANDED MUDDY GIRL



No.	OLD MM#	NEW MM#	DESCRIPTION
16			
17			
18			
19			
20			
21			
22			
		85-10002-00	DECAL SET, COMPLIANCE 2016
		85-10003-00	DECAL, "ADD OIL"
1		96-10002-00	HANGTAG SET ENG OIL, UPC, EPA MM-B80 BLACK
			HANGTAG SET ENG OIL, UPC, EPA MM-B80 RT
			HANGTAG SET ENG OIL, UPC, EPA MM-B80 AM FLAG
			HANGTAG SET ENG OIL, UPC, EPA MM-B80 MUD GIRL
2&5		Included in 96-10002-00	HANGTAG SET COMPLIANCE AND "ADD OIL"
		95-10007-00	TIE, HANG TAGS (CLEAR)

