

Operator's Manual  
SUPPLEMENT  
Model No. 906C-XX

**⚠ WARNING:**

Read Engine  
Owner's Manual,  
Vehicle Operator's  
Manual, and  
Supplement  
Carefully Before  
Operating Vehicle.

Parts List

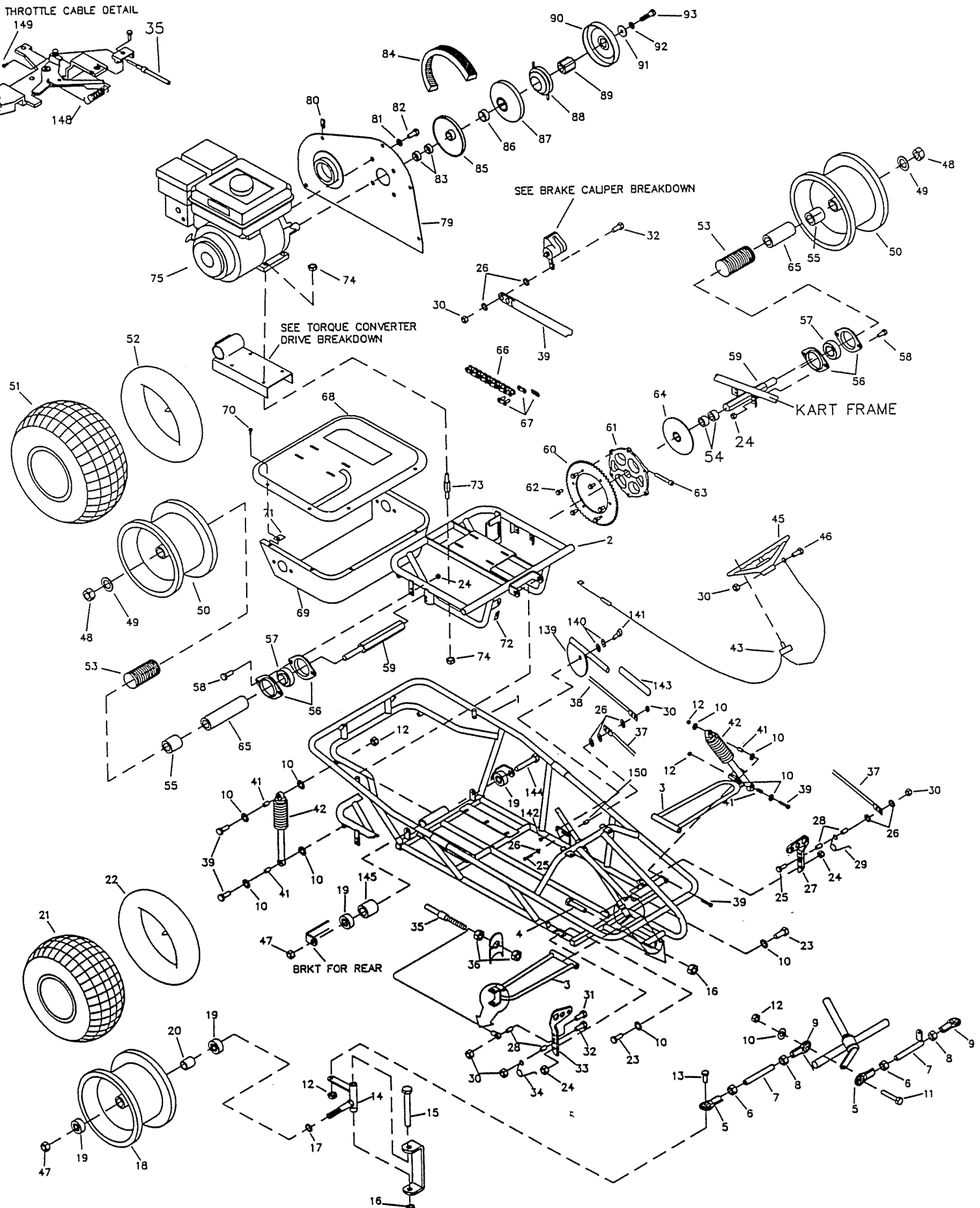
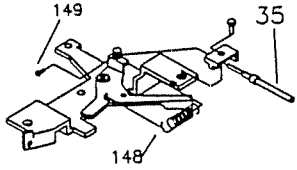


4404 Engle Ridge Drive, Fort Wayne, IN 46804  
ph (219) 432-1596      fx (219) 432-7870

**THIS VEHICLE IS FOR  
OFF-ROAD USE ONLY**

BEFORE OPERATING THIS VEHICLE, THE OWNER AND/OR OPERATOR MUST UNDERSTAND THE VEHICLE WAS NOT DESIGNED OR MANUFACTURED TO MEET SPECIFICATIONS FOR USE ON STREETS, HIGHWAYS, OR THOROUGHFARES AND HAVE READ AND HAVE AN UNDERSTANDING OF ALL THE INSTRUCTIONS FOR SAFE ASSEMBLY AND OPERATION AS WELL AS THE INSTRUCTIONS GOVERNING THE ENGINE AND OTHER PORTIONS OF THE VEHICLE.

THROTTLE CABLE DETAIL



## PARTS LIST MODEL 906C-XX

REF NO	PART NO	DESCRIPTION	REF NO	PART NO	DESCRIPTION
1	11740-5	FRAME RED (906C-37)	51	3548	TIRE 18/9.50-8" KNOBBY
	11740-20	FRAME YELLOW (906C-2)	52	1430	TUBE 8" (REPAIR PART ONLY)
2	11750-2	DRIVE CHASSIS	53	G0631	LOOM 6.312 L 1.625 ID
3	11746-2Z	SWING ARM	54	2265-16	SPACER 1.000ID 12G .750L ZINC
4	10834	BOLT 1/2-13X7 HHCS G5	55	5222-16	SPACER 1.01DX1.250DX1.250L ZINC
ASM	5431	TIE ROD ASM (INCL 5-9)	56	6617	BRG FLNG-HEAVY DICHROMATE
5	1414	ROD END, RH THREAD	57	3941H	BEARING HEX"
6	9092	NUT 3/8-24 JAM RH	58	9176	BOLT 5/16-18 X 1.000 HHCS G5 Z
7	5430	TIE ROD 13.25"	59	11797H-16	AXLE HEX WDMT DICHROMATE
8	9024	NUT 3/8-24 JAM LH	ASM	6420H	SPROCKET ASM (INCL 60-63)
9	1415	ROD END, LH THREAD	60	6282	SPROCKET LA 420P 54T
10	9091	WASHER FLAT 3/8 SAE N	61	6280H	SPROCKET HUB HEX
11	9145	BOLT 3/8-16 X 1.750 HHCS G5	62	9006	BOLT 1/4-20 X .750 HH WF Z
12	9085	NUT 3/8-16 TL HEX Z	63	6701	BOLT 5/16-18 X 1.250 SHCS
13	9146	BOLT 3/8-16 X 1.500 HHCS G5	64	9511H	BRAKE DISC 6 HEX
14	11742-2Z	SPINDLE RH	65	6783-16	SPACER 1.01D 12G 4.125
NI	11741-2Z	SPINDLE LH	66	9514	CHAIN 420 X 62P (INCL 67)
15	1264	BOLT 1/2-13 X 3.750 HHCS G2	67	2037	MASTERLINK #420
16	1012	NUT 1/2-13 TL HEX Z	68	11830	REAR COVER TOP
17	5157-16	SPACER 5/8 ID X 13GA X .750	69	11831	REAR COVER BOTTOM
18	9309FP	WHEEL ASM 6" (INCL 19-21)	70	1876	BOLT 1/4-20 X .625 HH WF Z
19	5090	BEARING 5/8 ID W/SNAP RING	71	11824	NUT TINNERMAN 2372-04
20	5950	SPANNER 5/8 ID X 2-1/8	72	2449	NUT TINNERMAN C7343-1420-4
21	4915	TIRE 145/70 X 6 KNOBBY	73	1356	STUD ASM
22	3802	TUBE 6" (REPAIR PART ONLY)	74	1263	NUT 5/16-18 HEX WF Z
23	1447	BOLT 5/16-18X11/16 SHOULDER	75	12250	ENGINE 6HP W/ LIGHTING COIL
24	1189	NUT 5/16-18 HEX TL Z	NI	11330	DECAL WARNING HOT SURFACES
25	1849	BOLT 1/4-20 X 1.500 HHCS G5 Z	NI	11330	DECAL ENGINE EXHAUST IS BAD
26	1854	WASHER #14 FLAT MS Z	NI	11330	DECAL SHIPPED W/O OIL
27	6293-16	PEDAL BRAKE	79	11775-2	COVER PLATE TC
28	1389	BUSHING .25ID X .031G X .313	80	8227	NUT 1/4-20 CLIP
29	9503	SPRING PEDAL RIGHT WOUND	81	9060	WASHER 5/16 TYPE A PLAIN SAE N
30	9057	NUT 1/4-20 TL Z	82	9101	BOLT 5/16-24 X .500 HHCS G5
31	9160	BOLT 1/4-20 X .875 HHCS NL G5 Z	83	1938	SPACER .75ID 11GA .375 ZI
32	1847	BOLT 1/4-20 X 1.000 HHCS G5 Z	84	5959	BELT 30S 203589 27.4 OC
33	6309-16	PEDAL THROTTLE	ASM	5957	DRIVER PULLEY 30S (INCL 85-90)
34	9502	SPRING PEDAL LEFT WOUND	85	**	STATIONARY SHEAVE
35	8251	THROTTLE CABLE 74.5 IN (INCL 36)	86	200349	BUSHING
36	9058	NUT 5/16-24 JAM	87	**	MOVEABLE SHEAVE
37	8715-2	BRAKE ROD FRONT	88	**	SHOE ASSEMBLY
38	8215-2	BRAKE ROD REAR	89	**	HUB
39	9190	BOLT 3/8-16 X 3.25 HHCS G5 Z	90	**	DRUM
40	1469	WASHER .625ID 1.062OD .062THK Z	91	1398	WASHER 21/64 ID X 1 1/4 X 1/8
41	6634	SHOCK BUSHING	92	1124	WASHER 5/16 SL Z
42	4561	SHOCK ABSORBER	93	8204	BOLT 5/16-24 X 2.250 HHCS G5 YZ
43	12329	LIGHT/WIRE KIT ASM. (SHORT SWITCH)	94	9006	BOLT 1/4-20 X .500 HH WF
	12330	LIGHT/WIRE KIT ASM. (LONG SWITCH)	95	11776	TAV COVER
45	6038	STEERING WHEEL	96	11330	DECAL CAUTION DRIVE COVER
46	9080	BOLT 1/4-20 X 2.750 HHCS G2 Z	97	11330	DECAL WARNING CHNGRD MUST
47	1046	NUT 5/8-11 TL HEX Z	98	11330	DECAL TIRE PRESS 3.6 7.0
48	9162	NUT 3/4-10 HEX TL Z	99	1136	NUT 5/8-18 CL HEX JAM Z
49	1194	WASHER 3/4 SAE FLAT	ASM	5958	DRIVEN PULLEY 30S (INCL 100-106)
50	10381	WHEEL ASM 8" KNOBBY	100	2477	RETAINING RING
			101	**	CAM
			102	6805	SPRING