

Operator's Manual  
SUPPLEMENT

Model No.  
906C-4X

**⚠ WARNING:**

Read Engine  
Owner's Manual,  
Vehicle Operator's  
Manual, and  
Supplement  
Carefully Before  
Operating Vehicle.

Parts List

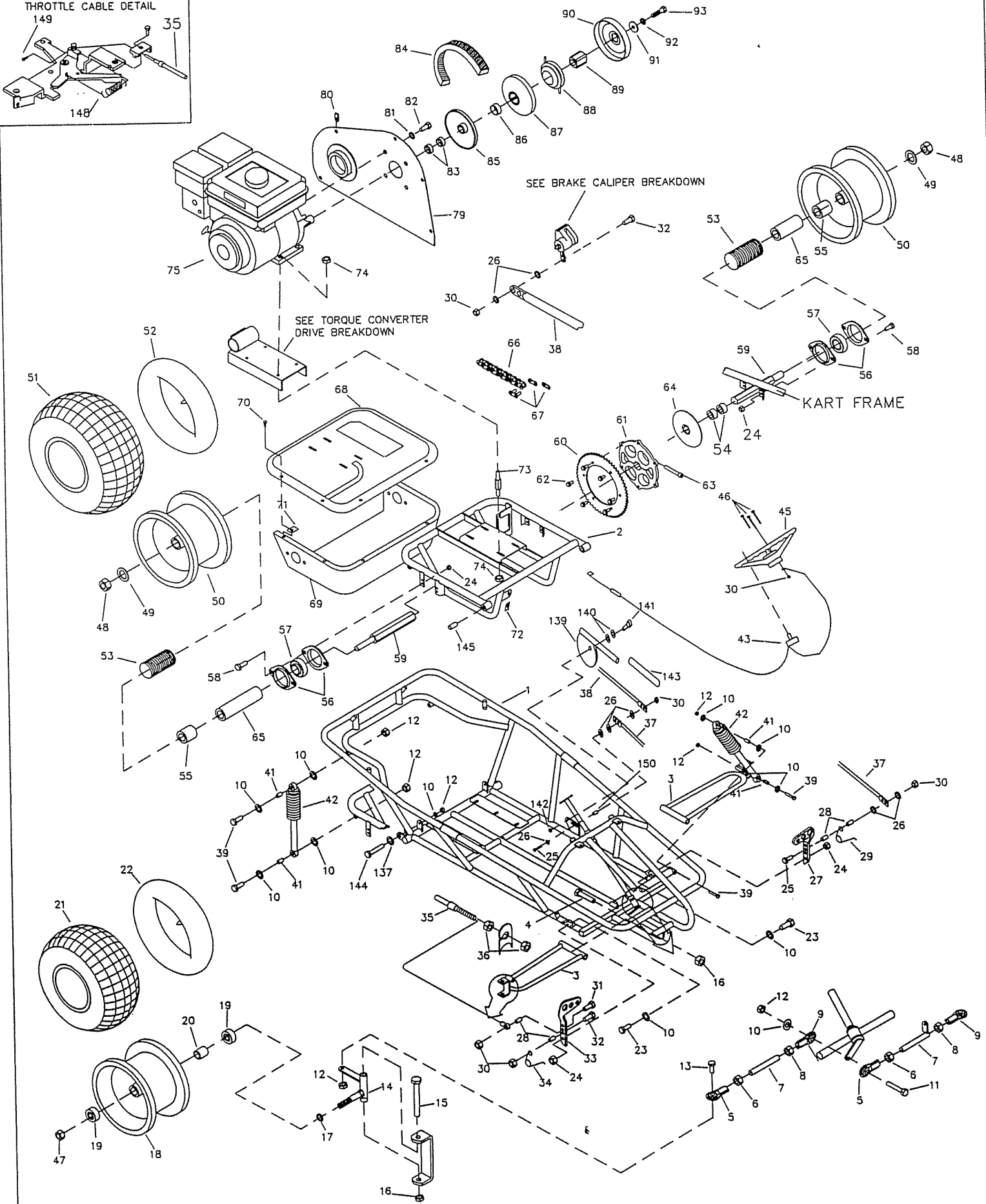
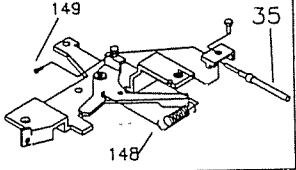


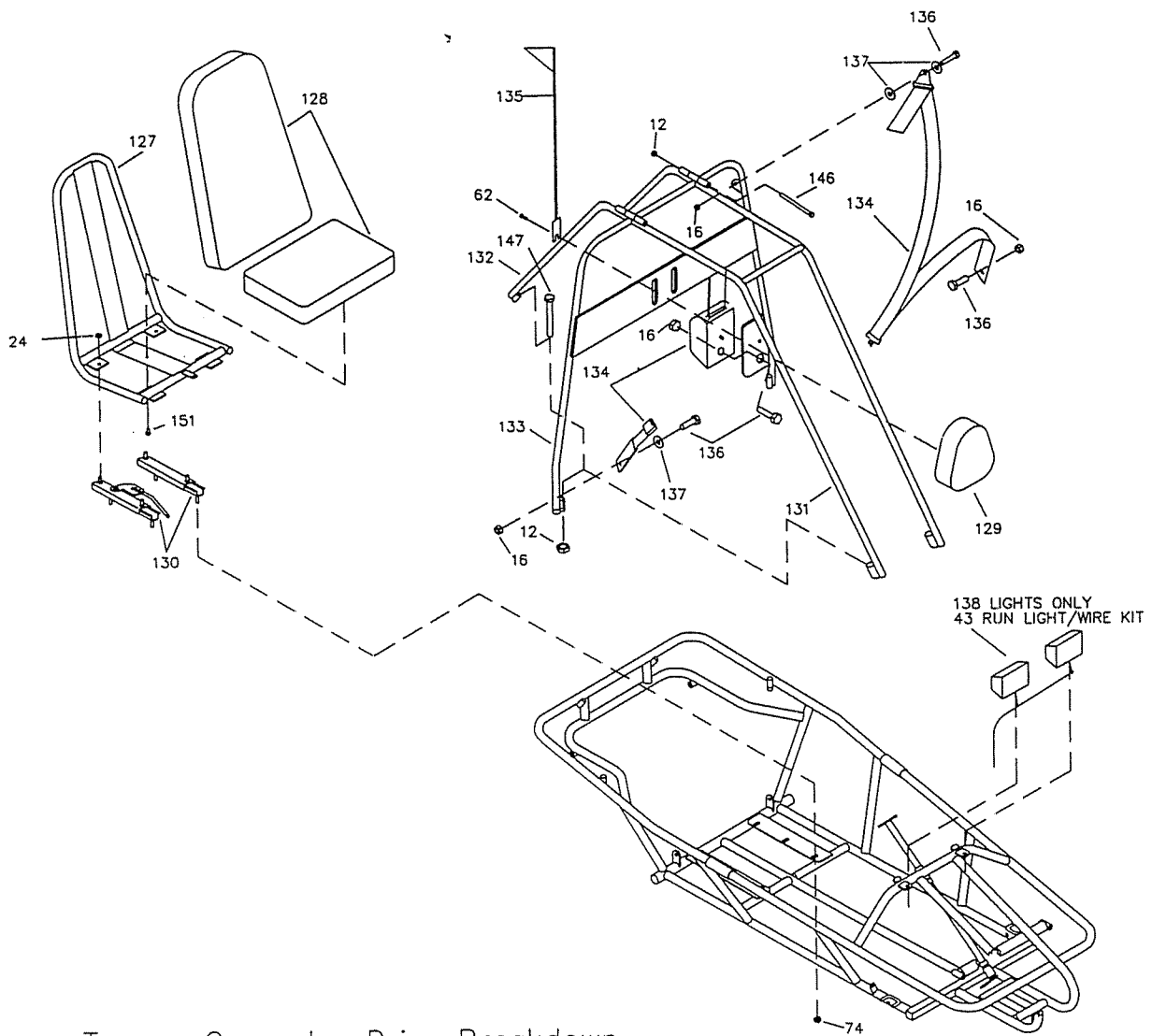
4404 Engle Ridge Drive, Fort Wayne, IN 46804  
ph (260) 432-1596      fx (260) 432-7870

**THIS VEHICLE IS FOR  
OFF-ROAD USE ONLY**

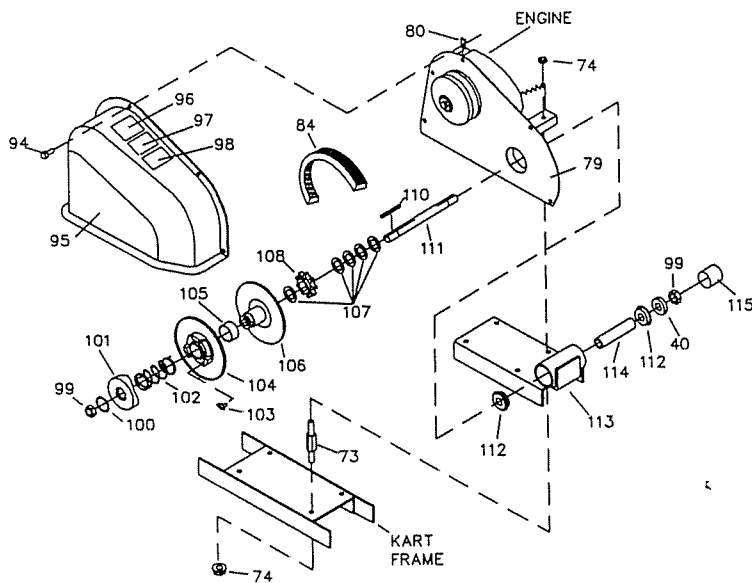
BEFORE OPERATING THIS VEHICLE, THE OWNER AND/OR OPERATOR MUST UNDERSTAND THE VEHICLE WAS NOT DESIGNED OR MANUFACTURED TO MEET SPECIFICATIONS FOR USE ON STREETS, HIGHWAYS, OR THOROUGHFARES AND HAVE READ AND HAVE AN UNDERSTANDING OF ALL THE INSTRUCTIONS FOR SAFE ASSEMBLY AND OPERATION AS WELL AS THE INSTRUCTIONS GOVERNING THE ENGINE AND OTHER PORTIONS OF THE VEHICLE.

THROTTLE CABLE DETAIL

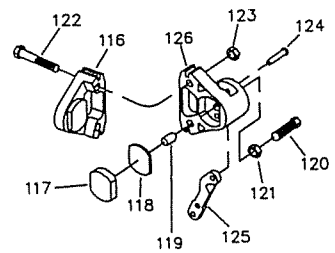




Torque Converter Drive Breakdown



Brake Caliper Breakdown



Orientation of lever and hardware may vary.

PARTS LIST  
MODEL 906C-XX

REF NO	PART NO	DESCRIPTION	REF NO	PART NO	DESCRIPTION
1	12453-5	FRAME RED (906C-47)	50	10381	WHEEL ASM 8" KNOBBY
	12453-20	FRAME YELLOW (906C-4)	51	3548	TIRE 18/9.50-8" KNOBBY
2	12386	DRIVE CHASSIS	52	1430	TUBE 8" (REPAIR PART ONLY)
3	11746-2Z	SWING ARM	53	G0631	LOOM 6.312 L 1.625 ID
4	10834	BOLT 1/2-13X7 HHCS G5	54	2265-16	SPACER 1.000ID 12G .750L ZINC
ASM	5431	TIE ROD ASM (INCL 5-9)	55	5222-16	SPACER 1.0IDX1.250DX1.250L ZINC
5	1414	ROD END, RH THREAD	56	6617	BRG FLNG-HEAVY DICHROMATE
6	9092	NUT 3/8-24 JAM RH	57	3941H	BEARING HEX
7	5430	TIE ROD 13.25"	58	9176	BOLT 5/16-18 X 1.000 HHCS G5 Z
8	9024	NUT 3/8-24 JAM LH	59	11797H-16	AXLE HEX WDMT DICHROMATE
9	1415	ROD END, LH THREAD	ASM	6420H	SPROCKET ASM (INCL 60-63)
10	9091	WASHER FLAT 3/8 SAE N	60	6282	SPROCKET LA 420P 54T
11	9145	BOLT 3/8-16 X 1.750 HHCS G5	61	6280H	SPROCKET HUB HEX
12	9085	NUT 3/8-16 TL HEX Z	62	9006	BOLT 1/4-20 X .750 HH WF Z
13	9146	BOLT 3/8-16 X 1.500 HHCS G5	63	6701	BOLT 5/16-18 X 1.250 SHCS
14	11742-2Z	SPINDLE RIGHT	64	9511H	BRAKE DISC 6 HEX
NI	11741-2Z	SPINDLE LEFT	65	6783-16	SPACER 1.0ID 12G 4.125
15	1264	BOLT 1/2-13 X 3.750 HHCS G2	66	9514	CHAIN 420 X 62P (INCL 67)
16	1012	NUT 1/2-13 TL HEX Z	67	2037	MASTERLINK #420
17	5157-16	SPACER 5/8 ID X 13GA X .750	68	12456	REAR COVER TOP
18	12490	WHEEL ASM 6" (INCL 19-21)	69	12259	REAR COVER BOTTOM
19	5090	BEARING 5/8 ID W/SNAP RING	70	1876	BOLT 1/4-20 X .625 HH WF Z
20	5950	SPANNER 5/8 ID X 2-1/8	71	11824	NUT TINNERMAN 2372-04
21	4915C	TIRE 145/70 X 6 KNOBBY	72	2449	NUT TINNERMAN C7343-1420-4
22	3802	TUBE 6" (REPAIR PART ONLY)	73	1356	STUD ASM
23	1447	BOLT 5/16-18X11/16 SHOULDER	74	1263	NUT 5/16-18 HEX WF Z
24	1189	NUT 5/16-18 HEX TL Z	75	12250	ENGINE 6HP W/ LIGHTING COIL
25	1849	BOLT 1/4-20 X 1.500 HHCS G5 Z	NI	11330	DECAL WARNING HOT SURFACES
26	1854	WASHER #14 FLAT MS Z	NI	11330	DECAL ENGINE EXHAUST IS BAD
27	6293-16	PEDAL BRAKE	NI	11330	DECAL SHIPPED W/O OIL
28	1389	BUSHING .25ID X .031G X .313	79	11775-2	COVER PLATE TC
29	9503	SPRING PEDAL RIGHT WOUND	NI	8231	COVER PLATE EXTENSION
30	9057	NUT 1/4-20 TL Z	NI	8258	RIVET AL/AL .25GRIP .125DIA
31	9160	BOLT 1/4-20 X .875 HHCS NL G5 Z	80	8227	NUT 1/4-20 CLIP
32	1847	BOLT 1/4-20 X 1.000 HHCS G5 Z	81	9060	WASHER 5/16 TYPE A PLAIN SAE N
33	6309-16	PEDAL THROTTLE	82	9101	BOLT 5/16-24 X .500 HHCS G5
34	9502	SPRING PEDAL LEFT WOUND	83	1938	SPACER .75ID 11GA .375 ZI
35	8251	THROTTLE CABLE 74.5 IN (INCL 36)	84	5959	BELT 30S 203589 27.4 OC
36	9058	NUT 5/16-24 JAM	ASM	5957	DRIVER PULLEY 30S (INCL 85-90)
37	8715-2	BRAKE ROD FRONT	85	**	STATIONARY SHEAVE
38	8215-2	BRAKE ROD REAR	86	200349	BUSHING
39	9190	BOLT 3/8-16 X 3.25 HHCS G5 Z	87	**	MOVEABLE SHEAVE
40	1469	WASHER .625ID 1.062OD .062THK Z	88	**	SHOE ASSEMBLY
41	6634	SHOCK BUSHING	89	**	HUB
42	4561	SHOCK ABSORBER	90	**	DRUM
43	12330	LIGHTWIRE KIT ASM. (LONG SWITCH)	91	1398	WASHER 21/64 ID X 1 1/4 X 1/8
45	12496	STEERING WHEEL	92	1124	WASHER 5/16 SL Z
NI	12481	STEERING WHEEL DEC. CAP	93	8204	BOLT 5/16-24 X 2.250 HHCS G5 YZ
46	1865	BOLT 1/4-20 X 1.750 HHCS G2 Z	94	9006	BOLT 1/4-20 X .500 HH WF
47	1046	NUT 5/8-11 TL HEX Z	95	11776	TAV COVER
48	9162	NUT 3/4-10 HEX TL Z	96	11330	DECAL CAUTION DRIVE COVER
49	1194	WASHER 3/4 SAE FLAT	97	11330	DECAL WARNING CHNGRD MUST
			98	11330	DECAL TIRE PRESS 3.6 7.0
			99	1136	NUT 5/8-18 CL HEX JAM Z

# PARTS LIST

## MODEL 906C-XX

REF NO	PART NO	DESCRIPTION	REF NO	PART NO	DESCRIPTION
ASM	5958	DRIVEN PULLEY 30S (INCL 100-106)	138	10184	RUNNING LIGHTS
100	2477	RETAINING RING	139	6773-2	PARKING BRAKE HANDLE
101	**	CAM	140	6441	WASHER, 3/8 ID SPRING
102	6805	SPRING	141	9172	BOLT, 3/8 X 1/4 SHOULDER
103	6804	BUTTON NYLON	142	6440	NUT, 5/16-18 NUT
104	**	MOVEABLE SHEAVE	143	6442	BRAKE HANDLE COVER
105	**	BUSHING	144	12141	BOLT SHOULDER 1/2X1.875
106	**	STATIONARY SHEAVE	145	12140	BUSHING BRONZE
107	1119	SPACER .625ID 1.062OD .125THK Z	146	6452	BOLT, 3/8-16 X 5"
108	8720	SPROCKET 420P 9T INTEGRAL KEY	147	2386	BOLT 3/8-16 X 3.500 HHCS G5 Z
110	3403	KEY 3/16SQ X 2.000	148	12348	RETURN SPRING
111	2777	JACKSHAFT 5/8 X 10.812	149	12347	SWIVEL SCREW
112	5090	BEARING W/ SNAP RING	150	9869	SPACER .250ID .312OD .625 BR
113	11806-2	CHASSIS W/LDMNT BLK	151	5839	BOLT 1/4-20 X .75 HHWFZ
114	10342	SPANNER 5/8ID X 14G X 5.125	NI	11329	DECAL WARNING WEAR A HELMET
115	11808	CAP VINYL 1.5 ID 1.5LG .06 WALL	NI	11329	DECAL WARNING LONG HAIR
ASM	9597	BRAKE CALIPER (INCL 116-126)	NI	11330	DECAL NO CHILD UNDER 12 YRS
ASM	9810	BRAKE PAD SVC KIT (INCL 116-118)	NI	11330	DECAL NO RIDERS ALLOWED
116	**	ANVIL W/LINING	NI	12652	PARTS BAG 906C-4X
117	**	BRAKE LINING			
118	3928	BACKING PLATE			
119	3930	ACTUATOR PIN			
120	3931	ADJUSTER PIN			
121	3932	NUT JAM			
122	9158	BOLT 3/8-16 X 2.250 HHCS			
123	9085	NUT 3/8-16 TL HEX Z			
ASM	6534	MB-1 SERVICE KIT (INCL 124-126)			
124	**	GROOVE PIN			
125	**	LEVER			
126	**	BRAKE HOUSING			
127	10402-2	SEAT FRAME SGL GBLK			
128	11636	SEAT BACK/BOTTOM			
129	6320	HEADREST			
130	6734	SEAT SLIDE PAIR			
131	11791-2	FRONT BAR GBLK			
132	11792-2	REAR BAR GBLK			
133	11793-2	CENTER BAR GBLK			
134	8778	HARNES LAP SHOULDER REST			
135	8445	FLAG SAFETY W/ BRKT 3FT			
136	9188	BOLT 1/2-13 X 1.50 HHCS G5 Z			
137	9022	WASHER 1/2 STD FLAT Z)			

ASM -- ASSEMBLY  
 NI -- NOT ILLUSTRATED  
 \*\* - NOT SOLD SEPERATELY