

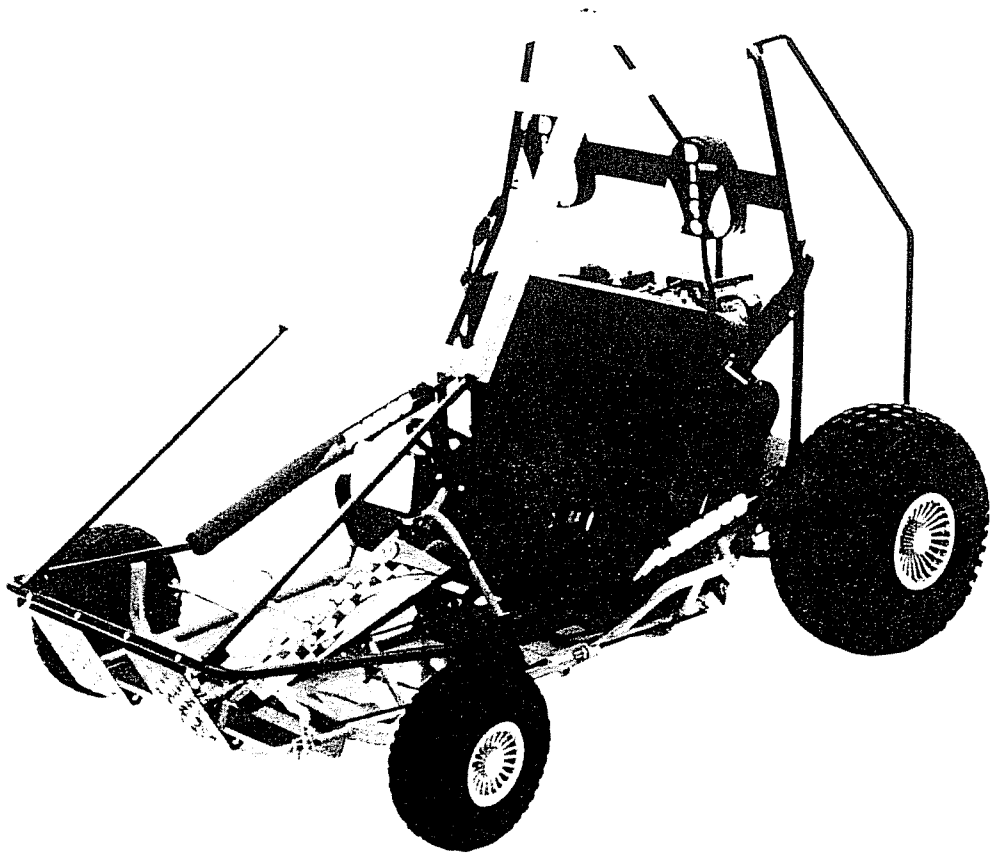
Operator's Manual SUPPLEMENT

40 Series pulley

MANCO MODEL NO.
808-01

WARNING:
Read Engine
Owner's Manual,
Vehicle Operator's
Manual, and
Supplement
Carefully Before
Operating
Vehicle.

Parts List

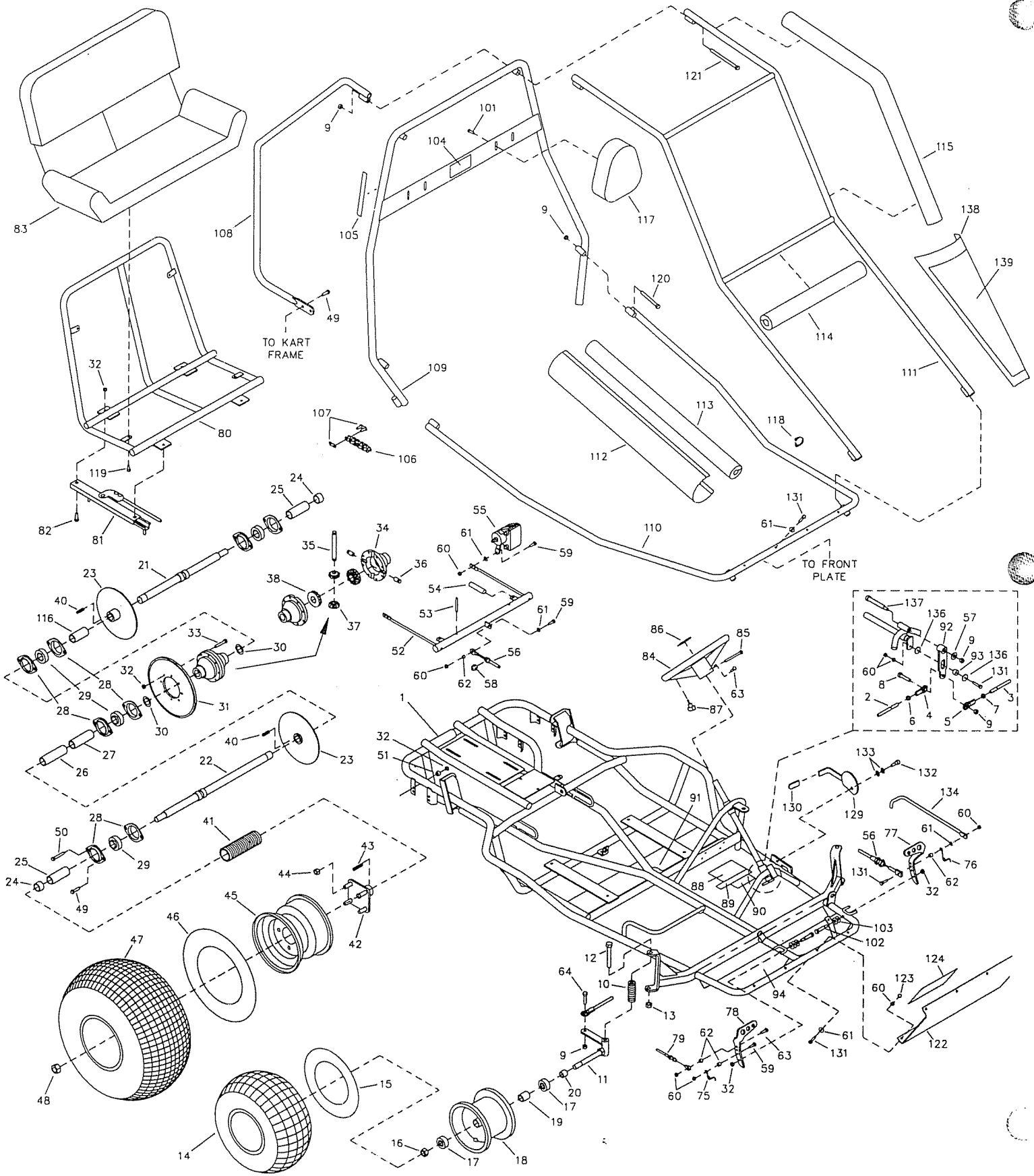


MANCO
PRODUCTS, INC.

4404 Engle Ridge Drive Ft. Wayne, Indiana 46804 219-432-1596

**THIS VEHICLE IS FOR
OFF-ROAD USE ONLY**

BEFORE OPERATING THIS VEHICLE, THE OWNER AND/OR OPERATOR MUST UNDERSTAND THE VEHICLE WAS NOT DESIGNED OR MANUFACTURED TO MEET SPECIFICATIONS FOR USE ON PUBLIC ROADS, STREETS, HIGHWAYS, OR THOROUGHFARES AND HAVE READ AND HAVE AN UNDERSTANDING OF ALL THE INSTRUCTIONS FOR SAFE ASSEMBLY AND OPERATION AS WELL AS THE INSTRUCTIONS GOVERNING THE ENGINE AND OTHER PORTIONS OF THE VEHICLE.



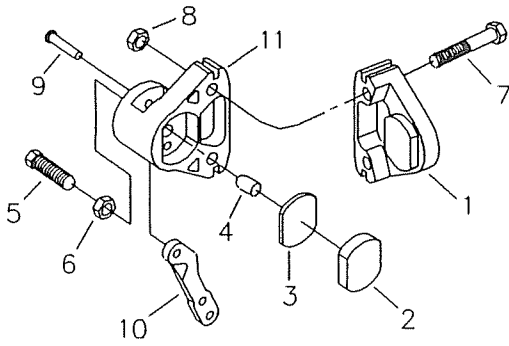
REPAIR PARTS - 808-01

| REF. | PART | DESCRIPTION | REF. | PART | DESCRIPTION |
|------|---------|------------------------------------------|------|--------|----------------------------------------|
| NO. | NO. | | NO. | NO. | |
| 1 | 8675-7 | Frame - Green | 71 | --- | |
| 2 | 8341 | Tie Rod, 23 inch | 72 | --- | |
| 3 | 3224 | Tie Rod, 8-3/4 inch | 73 | --- | |
| 4 | 1414 | Rod End - RH | 74 | --- | |
| 5 | 1415 | Rod End - LH | 75 | 9503 | Spring, Right Wound |
| 6 | 9092 | Nut, 3/8-24 RH Jam | 76 | 9502 | Spring, Left Wound |
| 7 | 9094 | Nut, 3/8-24 LH Jam | 77 | 1436 | Brake Pedal |
| 8 | 9145 | Bolt, 3/8-16 x 1-3/4" | 78 | 6309 | Throttle Pedal, Trimmed |
| 9 | 9085 | Nut, 3/8-16 Toplock | 79 | 8173 | Throttle Cable |
| 10 | 8448 | Compression Spring | 80 | 8688-2 | Seat Frame Weldment |
| 11 | 2457 | Spindle, Right | 81 | 8655 | Seat Slide Pair |
| NI | 2458 | Spindle, Left | 82 | 2264 | Bolt, 5/16-18 x 3/4" |
| 12 | 8453 | Bolt, 1/2-13 x 6-1/2" | 83 | 8692 | Seat Back/Bottom |
| 13 | 1012 | Nut, 1/2-13 Toplock | 84 | 6038 | Steering Wheel |
| 14 | 4915 | Tire, 145/70 x 6 Knobby | 85 | 9080 | Bolt, 1/4-20 x 2-3/4" |
| 15 | 3802 | Inner Tube, 6" | 86 | 1689 | Decal, Steering Wheel |
| 16 | 1046 | Nut, 5/8-11 Toplock | 87 | 6394 | Stop Switch Assembly |
| 17 | 5090 | Bearing, 5/8 ID | 88 | 4504 | Decal, Yellow Warning |
| 18 | 9309FP | Wheel Assembly, Front (incl. 14-19) | 89 | 8153 | Decal, Age Restriction |
| 19 | 5950 | Spanner, 5/8 ID x 2-1/8" | 90 | 8399 | Decal, Seat Belt Warning |
| 20 | 5157 | Spacer, 5/8 ID x 3/4" | 91 | 8676 | Grommet |
| 21 | 8327 | Axle Weldment - Short | 92 | 9834-2 | Steering Crank Weldment |
| 22 | 8328 | Axle Weldment - Long | 93 | 9873 | Cam Follower Bearing |
| 23 | 6314 | Brake Rotor | 94 | 1441 | Decal, Front Floor Pan |
| 24 | 4914 | Spacer, 1" ID x 9/16" | 95 | --- | |
| 25 | 8462 | Spacer, 1" ID x 2-3/4" | 96 | --- | |
| 26 | 4662 | Spacer, 1" ID x 4-1/4" | 97 | --- | |
| 27 | 4659 | Spacer, 1" ID x 3-3/4" | 98 | --- | |
| 28 | 6617 | Bearing Flange | 99 | --- | |
| 29 | 3941 | Bearing, 1" ID | 100 | --- | |
| 30 | PX2970 | #9 Machinery Bushing | 101 | 5839 | Bolt, 1/4-20 x 3/4" Flanged Whiz |
| ASM | 8344 | Differential/Sprocket Asm. (incl. 31-38) | 102 | 1447 | Pedal Bolt |
| 31 | 6819 | Sprocket - 54 Tooth | 103 | 9091 | Washer, 3/8 Flat |
| 32 | 1189 | Nut, 5/16-18 Toplock | 104 | 8138 | Decal, Warning: Long Hair |
| 33 | 9186 | Bolt, 5/16-18 x 1-1/2 GR5 | 105 | 6540 | Decal, Warning: Wear Helmet |
| 34 | | Housing w/ Bearing | 106 | 9343 | Chain, 420 x 71 Links plus Master Link |
| 35 | | Pinion Shaft | 107 | 2037 | Master Link, 420 Chain |
| 36 | | Pinion Shaft Plug | 108 | 9527-2 | Rear Bar |
| 37 | | Pinion Gear | 109 | 8321-2 | Center Bar |
| 38 | | Bevel Gear | 110 | 8322-2 | Front Bar |
| 39 | --- | | 111 | 8320-2 | Overhead Bar |
| 40 | 1775 | Key, 1/4 sq. x 1-1/4" | 112 | 8599 | Arm Pad Cover |
| 41 | K810-01 | Axle Guard Kit | 113 | 9759B | Foam, 30" Black |
| 42 | 1557 | Wheel Hub w/Studs | 114 | 9762B | Foam, 20" Black |
| 43 | 6123 | Key, 1/4 sq. x 1-3/4" | 115 | 9758B | Foam, 43" Black |
| 44 | 1428 | Nut, 1/2-13 Cone Wheel | 116 | 8463 | Spacer, 1" ID x 2.625" |
| ASM | 1412 | Wheel Asm, Rear (incl. 45-47) | 117 | 8615 | Headrest |
| 45 | 1451 | Wheel Rim, 8" | 118 | 9777 | Plastic Hose Clamp, 7/8" ID |
| 46 | 1430 | Inner Tube, 8" (Repair Part Only) | 119 | 1876 | Bolt, 1/4-20 x 5/8" Flanged Whiz |
| 47 | 1452 | Tire, 22 x 11 - 8 Tubeless | 120 | 2386 | Bolt, 3/8-16 x 3-1/2" |
| 48 | 9162 | Nut, 3/4-10 Toplock | 121 | 6452 | Bolt, 3/8-16 x 5" |
| 49 | 9176 | Bolt, 5/16-18 x 1" | 122 | 8704-2 | Front Plate |
| 50 | 6573 | Bolt, 5/16-18 x 1-3/4" | 123 | 1443 | Nut, 1/4-20 Acorn |
| 51 | 9674 | Spacer, 3/8 ID x 3/8" | 124 | 8419 | Decal, Front Plate |
| 52 | 8331-2 | Brake Link Weldment | 125 | --- | |
| 53 | 9455 | Spring Pin | 126 | --- | |
| 54 | 9780 | Extension Spring | 127 | --- | |
| 55 | 8197 | Brake Calliper, Left | 128 | --- | |
| NI | 8444 | Brake Calliper, Right | 129 | 8673-2 | Parking Brake Handle |
| 56 | 8640 | Brake Cable | 130 | 4900 | Brake Handle Cover |
| 57 | 9022 | Washer, 1/2 Flat | 131 | 1849 | Bolt, 1/4-20 x 1-1/2" |
| 58 | 9174 | E-Ring | 132 | 9172 | Bolt, 3/8 x 1/4 Shoulder |
| 59 | 1847 | Bolt, 1/4-20 x 1" | 133 | 6441 | Washer, 3/8 ID Spring |
| 60 | 9057 | Nut, 1/4-20 Toplock | 134 | 8672 | Parking Brake Rod |
| 61 | 1854 | Washer, No. 14 Flat | 135 | 6440 | Nut, 5/16-18 Jam |
| 62 | 1389 | Bushing, 1/4" ID x 5/16 | 136 | 9872 | Washer, 1/4 Flat |
| 63 | 9160 | Bolt, 1/4-20 x 7/8" | 137 | 9871 | Shoulder Bolt, 1/2 x 3 |
| 64 | 9146 | Bolt, 3/8-16 x 1-1/2" | 138 | 2257 | Fairing |
| 65 | --- | | 139 | 8418 | Decal, Fairing |
| 66 | --- | | NI | 9247R4 | Assembly Instructions |
| 67 | --- | | NI | 6477 | Dingo Operator's Manual |
| 68 | --- | | NI | 8220 | Tecumseh Engine Manual |
| 69 | --- | | | | |
| 70 | --- | | | | |

ASM = Assembly

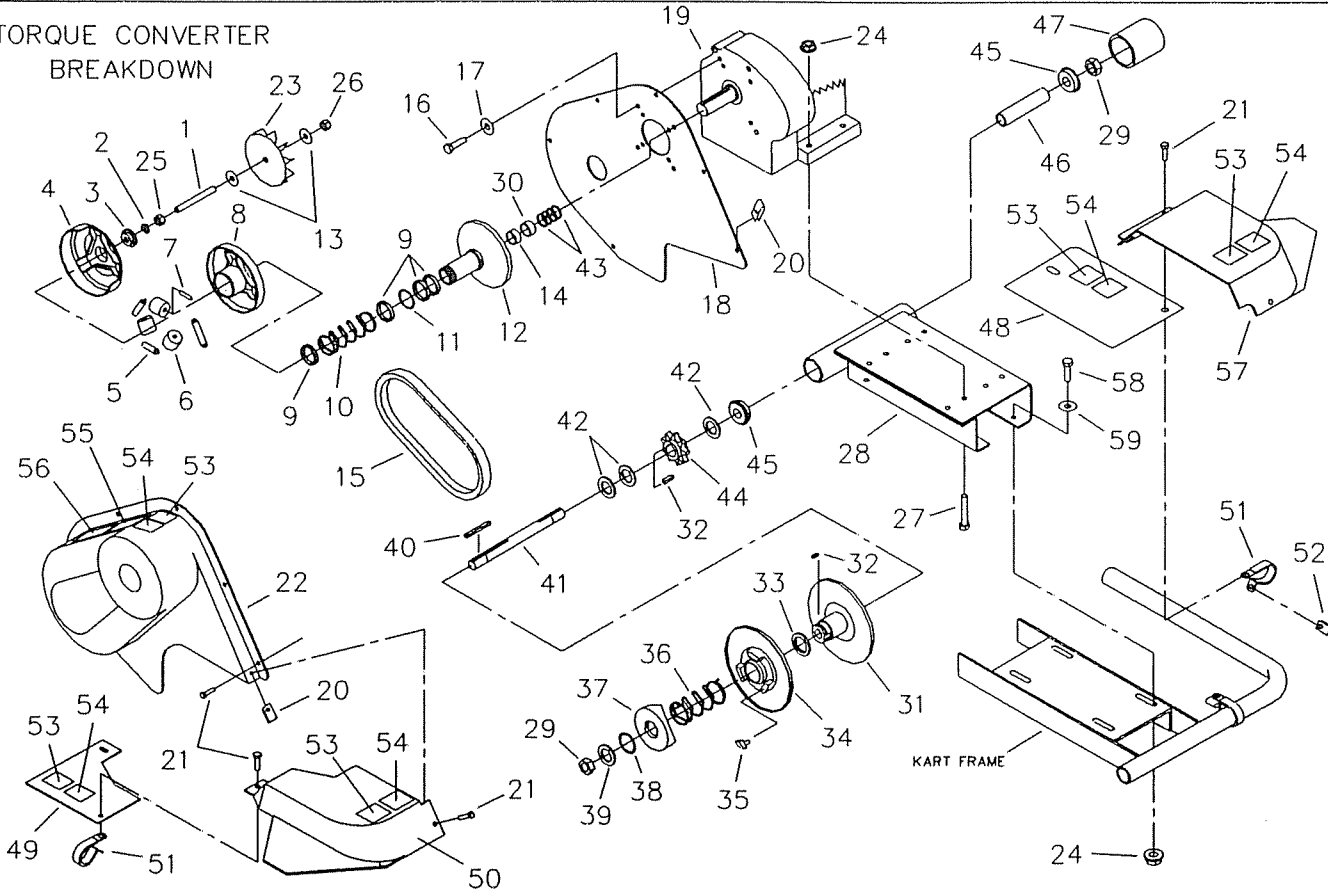
NI = Not Illustrated

CALIPER BREAKDOWN



| REF. NO | PART NO | DESCRIPTION |
|---------|---------|-------------------------------|
| ASM | 8197 | Brake Callper (Incl. 1-11) |
| ASM | 9810 | Brake Pad Svc Kit (Incl. 1-3) |
| 1 | * | Anvil w/Lining |
| 2 | * | Brake Lining |
| 3 | 3928 | Backing Plate |
| 4 | 3930 | Actuator Pin |
| 5 | 3931 | Adjuster Pin |
| 6 | 3932 | Nut, Jam |
| 7 | 9158 | Bolt, 3/8-16 x 2-1/4" |
| 8 | 9085 | Nut, 3/8-16 Toplock |
| ASM | 6534 | MB-1 Service Kit (Incl. 9-11) |
| 9 | * | Groove Pin |
| 10 | * | Lever |
| 11 | * | Brake Housing |

TORQUE CONVERTER BREAKDOWN



| REF. NO | PART NO | DESCRIPTION | REF. NO | PART NO | DESCRIPTION | REF. NO | PART NO | DESCRIPTION |
|---------|---------|------------------------------------------|---------|---------|-------------------------------------------|---------|---------|------------------------------|
| 1 | 8689 | Stud, 3/8-24 x 4-1/4" | 23 | 8600 | Impeller | 45 | 5090 | Bearing |
| 2 | 1130 | Washer, 3/8 Split Lock | 24 | 1263 | Nut, 5/16-18 Flange | 46 | 2430 | Spanner |
| 3 | 2468 | Washer, Pilot | 25 | 2388 | Nut, 3/8-24 Hex | 47 | 8194 | Cap, Plastic |
| ASM | 2594 | Driver Pulley Assembly (Incl. REF. 4-12) | 26 | 9123 | Nut, 3/8-24 Toplock Hex | 48 | 8443 | Right Deck Cover |
| 4 | * | Cover and Drive Plate | 27 | 9186 | Bolt, 5/16-18 x 1-1/2" | 49 | 8924 | Left Deck Cover |
| 5 | 2472 | Extension Spring | 28 | 8908 | Chassis | 50 | 8923 | Caliper Cover - Left |
| 6 | 2470 | Cam Roller | 29 | 9155 | Nut, 5/8-11 Jam | 51 | 8266 | Loop Clip |
| 7 | 2471 | Spring Clip | 30 | 4914 | Spacer, 1" ID x 9/16 | 52 | 8227 | Clip Nut |
| 8 | * | Moveable Face and Hub | ASM | 8664 | Driver Pulley Assembly (Incl. REF. 31-39) | 53 | 1049 | Decal, Caution |
| 9 | 2474 | Guide Bushing | 31 | * | Fixed Face and Post | 54 | 4912 | Decal, Warning: Guard |
| 10 | 2475 | Compression Spring | 32 | 1031 | Key, 3/16sq x 1/2" | 55 | 8138 | Decal, Warning: Entanglement |
| 11 | * | Retaining Ring | 33 | 2483 | Spacer | 56 | 6958 | Decal, Tire Pressure |
| 12 | * | Fixed Face and Post | 34 | * | Moveable Face and Cam | 57 | 8441 | Callper Cover - Right |
| 13 | 9125 | Washer, 3/8 Flat | 35 | 2516 | Button Insert | 58 | 9176 | Bolt, 5/16-18 x 1" |
| 14 | 1082 | Spacer, 1" ID x 7/16 | 36 | 2480 | Torsion Spring | 59 | 9030 | Washer, 5/16 Int. Lock |
| 15 | 6814 | Belt, Symmetrical | 37 | * | Fixed Cam | NI | 9677 | Decal, Warning: Hot Surfaces |
| 16 | 9101 | Bolt, 5/16-24 x 3/4" | 38 | 2478 | Thrust Washer | NI | 9678 | Decal, Warning: Eng. Exhaust |
| 17 | 9060 | Washer, 5/16 Plain | 39 | 2477 | Retaining Ring | NI | 5964 | Decal, Oil Warning |
| 18 | 8745 | Cover Panel | 40 | 3403 | Key, 3/16sq x 2" | | | |
| 19 | 8196 | Engine, 8HP Tecumseh | 41 | 8854 | Jackshaft, 13.69" | | | |
| 20 | 2449 | Nut, Tinnerman | 42 | 1119 | Spacer, 5/8ID x 1/8" | | | |
| 21 | 9006 | Bolt, 1/4-20 x 1/2" Whiz Flange | 43 | 3887 | Spacer, 1" ID x 1/16 | | | |
| 22 | 8739 | Cover Assembly | 44 | 1125S | Sprocket, 9T #420 | | | |

* = Not Available Separately
 ASM = Assembly NI = Not Illustrated