

# Operator's Manual SUPPLEMENT

MANCO MODEL NO.

806-01

806-50

**WARNING:**  
Read Engine  
Owner's Manual,  
Vehicle Operator's  
Manual, and  
Supplement  
Carefully Before  
Operating  
Vehicle.

Parts List

***MANCO***  
***PRODUCTS, INC.***

4404 Engle Ridge Drive Ft. Wayne, Indiana 46804 219-432-1596

**THIS VEHICLE IS FOR  
OFF-ROAD USE ONLY**

BEFORE OPERATING THIS VEHICLE, THE OWNER AND/OR OPERATOR MUST UNDERSTAND THE VEHICLE WAS NOT DESIGNED OR MANUFACTURED TO MEET SPECIFICATIONS FOR USE ON PUBLIC ROADS, STREETS, HIGHWAYS, OR THOROUGHFARES AND HAVE READ AND HAVE AN UNDERSTANDING OF ALL THE INSTRUCTIONS FOR SAFE ASSEMBLY AND OPERATION AS WELL AS THE INSTRUCTIONS GOVERNING THE ENGINE AND OTHER PORTIONS OF THE VEHICLE.

# REPAIR PARTS - 806-01 & 806-50

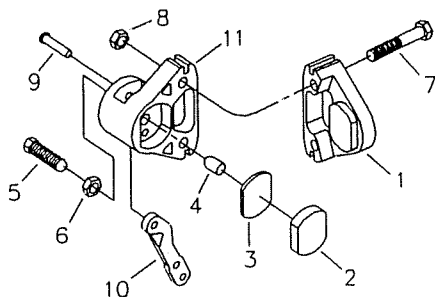
| REF. NO. | PART NO. | DESCRIPTION                         | REF. NO. | PART NO. | DESCRIPTION                               |
|----------|----------|-------------------------------------|----------|----------|---|
| 1        | 8675-7   | Frame - Green (806-01)              | 69       | ---      |   |
|          | 8675-20  | Frame - Yellow (806-50)             | 70       | ---      |   |
| 2        | 8341     | Tie Rod, 23 inch                    | 71       | ---      |   |
| 3        | 3224     | Tie Rod, 8-3/4 inch                 | 72       | ---      |   |
| 4        | 1414     | Rod End - RH                        | 73       | ---      |   |
| 5        | 1415     | Rod End - LH                        | 74       | ---      |   |
| 6        | 9092     | Nut, 3/8-24 RH Jam                  | 75       | 9503     | Spring, Right Wound                       |
| 7        | 9094     | Nut, 3/8-24 LH Jam                  | 76       | 9502     | Spring, Left Wound                        |
| 8        | 9145     | Bolt, 3/8-16 x 1-3/4"               | 77       | 1436     | Brake Pedal                               |
| 9        | 9085     | Nut, 3/8-16 Toplock                 | 78       | 6309     | Throttle Pedal, Trimmed                   |
| 10       | 8448     | Compression Spring                  | 79       | 8251     | Throttle Cable                            |
| 11       | 2457     | Spindle, Right                      | 80       | 8688-2   | Seat Frame Weldment                       |
| NI       | 2458     | Spindle, Left                       | 81       | 6722     | Seat Slide Pair                           |
| 12       | 8453     | Bolt, 1/2-13 x 6-1/2"               | 82       | 2264     | Bolt, 5/16-18 x 3/4"                      |
| 13       | 1012     | Nut, 1/2-13 Toplock                 | 83       | 8692     | Seat Back/Bottom                          |
| 14       | 4915     | Tire, 145/70 x 6 Knobby             | 84       | 6038     | Steering Wheel                            |
| 15       | 3802     | Inner Tube, 6"                      | 85       | 9080     | Bolt, 1/4-20 x 2-3/4"                     |
| 16       | 1046     | Nut, 5/8-11 Toplock                 | 86       | ---      |   |
| 17       | 5090     | Bearing, 5/8 ID                     | 87       | 6394     | Stop Switch Assembly                      |
| 18       | 9309FP   | Wheel Assembly, Front (incl. 14-19) | 88       | 4504     | Decal, Yellow Warning                     |
| 19       | 5950     | Spanner, 5/8 ID x 2-1/8"            | 89       | 8153     | Decal, Age Restriction                    |
| 20       | 5157     | Spacer, 5/8 ID x 3/4"               | 90       | 8399     | Decal, Seat Belt Warning                  |
| 21       | 8757     | Axle Weldment                       | 91       | 1848     | Bolt, 1/4-20 x 1-1/4"                     |
| 22       | ---      |                                     | 92       | 9834-2   | Steering Crank Weldment                   |
| 23       | 6314H    | Brake Rotor                         | 93       | 9873     | Cam Follower Bearing                      |
| 24       | 4662     | Spacer, 1" ID x 4-1/4"              | 94       | 9872     | Washer, 1/4 Flat                          |
| 25       | 4913     | Spacer, 1" ID x 3"                  | 95       | 9871     | Shoulder Bolt, 1/2 x 3                    |
| 26       | 8373     | Seat Belt, Shoulder / Lap           | 96       | ---      |   |
| 27       | 9188     | Bolt, 1/2-13 x 1-1/2"               | 97       | ---      |   |
| 28       | 6617     | Bearing Flange                      | 98       | ---      |   |
| 29       | 3941H    | Bearing, 1" ID                      | 99       | ---      |   |
| 30       | ---      |                                     | 100      | ---      |   |
| 31       | 9060     | Washer, 5/16" Flat                  | 101      | 5839     | Bolt, 1/4-20 x 3/4" Flanged Whiz          |
| 32       | 1189     | Nut, 5/16-18 Toplock                | 102      | 1447     | Pedal Bolt                                |
| 33       | 9186     | Bolt, 5/16-18 x 1-1/2 GR5           | 103      | 9091     | Washer, 3/8 Flat                          |
| ASM      | 6420H    | Sprocket Asm. (incl. 34-37)         | 104      | 8138     | Decal, Warning: Long Hair                 |
| 34       | 6282     | Sprocket 420P 54T                   | 105      | 6540     | Decal, Warning: Wear Helmet               |
| 35       | 6280H    | Sprocket Hub                        | 106      | 9343     | Chain, 420 x 71 Links plus Master Link    |
| 36       | 9006     | Bolt, 1/4-20 x 1/2" Whiz Flange     | 107      | 2037     | Master Link, 420 Chain                    |
| 37       | 6701     | Bolt, 5/16-18 x 1-1/4" SHCS         | 108      | 8702-2   | Rear Bar                                  |
| 38       | ---      |                                     | 109      | 8700-2   | Center Bar                                |
| 39       | ---      |                                     | 110      | 8699-2   | Front Bar                                 |
| 40       | ---      |                                     | 111      | 8701-2   | Overhead Bar (806-01)                     |
| 41       | K806-01  | Axle Guard Kit                      |          | 10472    | Overhead Bar (806-50)                     |
| 42       | ---      |                                     | 112      | ---      |   |
| 43       | ---      |                                     | 113      | 10425B   | Foam, 30" Black                           |
| 44       | ---      |                                     | 114      | 8728B    | Foam, 19-1/2" Black                       |
| ASM      | 10381    | Wheel Asm, Rear (incl. 45-47)       | 115      | 8725B    | Foam, 37" Black                           |
| 45       | 10324H   | Wheel Rim, 8"                       | 116      | 8463     | Spacer, 1" ID x 2.625"                    |
| 46       | 1430     | Inner Tube, 8" (Repair Part Only)   | 117      | 6320     | Headrest                                  |
| 47       | 3548     | Tire, 18/9.5 X 8" Tubeless          | 118      | 8730     | Plastic Hose Clamp, 1-1/4" ID             |
| 48       | 9162     | Nut, 3/4-10 Toplock                 | 119      | 1876     | Bolt, 1/4-20 x 5/8" Flanged Whiz          |
| 49       | 9176     | Bolt, 5/16-18 x 1"                  | 120      | 2386     | Bolt, 3/8-16 x 3-1/2"                     |
| 50       | 6573     | Bolt, 5/16-18 x 1-3/4"              | 121      | 6452     | Bolt, 3/8-16 x 5"                         |
| 51       | 9674     | Spacer, 3/8 ID x 3/8"               | 122      | 1441     | Decal, Front Floor Pan                    |
| 52       | 10505    | Brake Rod Rear                      | 123      | 10490-2  | Front Plate                               |
| 53       | 10506    | Brake Rod Front                     | 124      | 8419     | Decal, Front Plate Checkered (806-01)     |
| 54       | ---      |                                     |          | 5405     | Decal, Front Plate Yellow Jacket (806-50) |
| 55       | 8197     | Brake Caliper                       | 125      | ---      |   |
| 56       | ---      |                                     | 126      | ---      |   |
| 57       | 9022     | Washer, 1/2 Flat                    | 127      | ---      |   |
| 58       | ---      |                                     | 128      | ---      |   |
| 59       | 1847     | Bolt, 1/4-20 x 1"                   | 129      | 8673-2   | Parking Brake Handle                      |
| 60       | 9057     | Nut, 1/4-20 Toplock                 | 130      | 4900     | Brake Handle Cover                        |
| 61       | 1854     | Washer, No. 14 Flat                 | 131      | 1849     | Bolt, 1/4-20 x 1-1/2"                     |
| 62       | 1389     | Bushing, 1/4" ID x 5/16             | 132      | 9172     | Bolt, 3/8 x 1/4 Shoulder                  |
| 63       | 9160     | Bolt, 1/4-20 x 7/8"                 | 133      | 6441     | Washer, 3/8 ID Spring                     |
| 64       | 9146     | Bolt, 3/8-16 x 1-1/2"               | NI       | 9247R4   | Assembly Instructions                     |
| 65       | ---      |                                     | NI       | 6477     | Dingo Operator's Manual                   |
| 66       | ---      |                                     | NI       | 2684E    | Tecumseh Engine Manual                    |
| 67       | ---      |                                     |          |          |   |
| 68       | ---      |                                     |          |          |   |

ASM = Assembly

NI = Not Illustrated

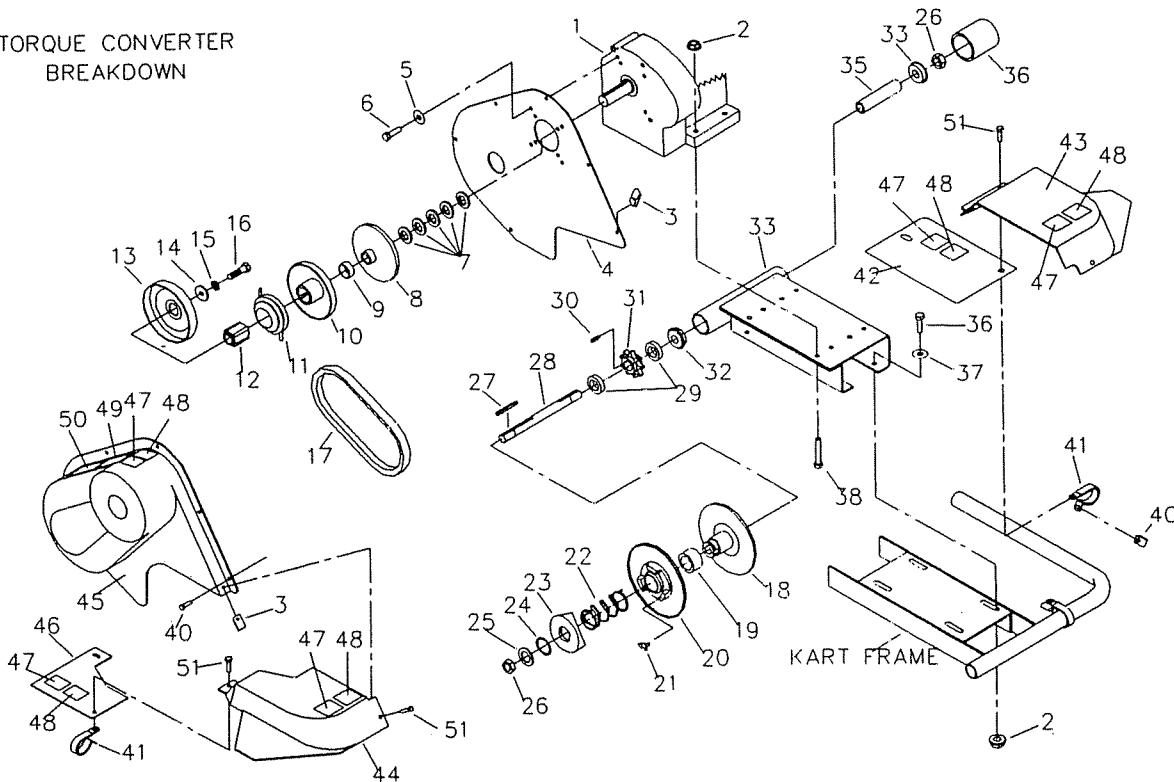


CALIPER BREAKDOWN



| REF. NO | PART NO | DESCRIPTION                   |
|---------|---------|-------------------------------|
| ASM     | 8197    | Brake Caliper (incl. 1-11)    |
| ASM     | 9810    | Brake Pad Svc Kit (incl. 1-3) |
| 1       | *       | Anvil w/Lining                |
| 2       | *       | Brake Lining                  |
| 3       | 3928    | Backing Plate                 |
| 4       | 3930    | Actuator Pin                  |
| 5       | 3931    | Adjuster Pin                  |
| 6       | 3932    | Nut, Jam                      |
| 7       | 9158    | Bolt, 3/8-16 x 2-1/4"         |
| 8       | 9085    | Nut, 3/8-16 Toplock           |
| ASM     | 6534    | MB-1 Service Kit (incl. 9-11) |
| 9       | *       | Groove Pin                    |
| 10      | *       | Lever                         |
| 11      | *       | Brake Housing                 |

TORQUE CONVERTER BREAKDOWN



| REF. NO | PART NO | DESCRIPTION                    |
|---------|---------|--------------------------------|
| 1       | 10131   | Engine, Tecumseh 6hp           |
| 2       | 1263    | Nut, 5/16-18 Whiz Flange       |
| 3       | 2449    | Nut, Tinnerman                 |
| 4       | 8200    | Cover Panel                    |
| 5       | 9060    | Washer, 5/16 Flat              |
| 6       | 9101    | Bolt, 5/16-24 x 1/2"           |
| 7       | 1194    | Washer, 3/4 Flat               |
| SM      | 5957    | Driver Pulley Asm (incl 8-13)  |
| 8       | *       | Stationary Sheave              |
| 9       | 200349  | Bushing                        |
| 10      | *       | Moveable Sheave                |
| 11      | *       | Shoe Assembly                  |
| 12      | *       | Hub                            |
| 13      | *       | Drum                           |
| 14      | 1398    | Washer, Flat                   |
| 15      | 1124    | Washer, 5/16 Split Lock        |
| 16      | 8204    | Bolt, 5/16-24 x 2-1/4"         |
| 17      | 8192    | Belt                           |
| SM      | 8191    | Driven Pulley Asm (incl 18-24) |
| 18      | *       | Stationary Sheave              |
| 19      | *       | Bushing                        |
| 20      | *       | Moveable Sheave                |
| 21      | 6804    | Button, Nylon                  |

| REF. NO | PART NO | DESCRIPTION                     |
|---------|---------|---------------------------------|
| 22      | 6805    | Spring                          |
| 23      | *       | Cam                             |
| 24      | 2477    | Retaining Ring                  |
| 25      | 8193    | Washer, Cup                     |
| 26      | 9155    | Nut, 5/8-11 Jam                 |
| 27      | 3403    | Key, 3/16 sq x 2"               |
| 28      | 8219    | Jackshaft                       |
| 29      | 1119    | Spacer, 5/8 ID x 1/8"           |
| 30      | 1031    | Key, 3/16 sq x 1/2"             |
| 31      | 1125s   | Sprocket, 9T #420               |
| 32      | 5090    | Bearing                         |
| 33      | 8908    | Chassis                         |
| 34      | 2430    | Spanner                         |
| 35      | 8194    | Cap, Plastic                    |
| 36      | 2264    | Bolt, 5/16-18 x 3/4"            |
| 37      | 9030    | Washer, 5/16 Int. Lock          |
| 38      | 6573    | Bolt, 5/16-18 x 1-3/4"          |
| 39      | 9006    | Bolt, 1/4-20 x 1/2" Whiz Flange |
| 40      | 8227    | Nut, Tinnerman                  |
| 41      | 8266    | Loop Clip 1"                    |
| 42      | 8443    | Deck Cover, Right               |
| 43      | 8441    | Caliper Cover, Right            |
| 44      | 8440    | Caliper Cover, Left             |

| REF. NO | PART NO | DESCRIPTION                     |
|---------|---------|---------------------------------|
| 45      | 8199    | Cover                           |
| 46      | 8442    | Deck Cover, Left                |
| 47      | 4912    | Decal, Warning: Guard           |
| 48      | 1049    | Decal, Caution                  |
| 49      | 8138    | Decal, Warning: Entanglement    |
| 50      | 6958    | Decal, Tire Pressure            |
| 51      | 1876    | Bolt, 1/4-20 x 5/8" Whiz Flange |
| NI      | 9677    | Decal, Warning: Hot Surfaces    |
| NI      | 9678    | Decal, Warning: Eng. Exhaust    |
| NI      | 5964    | Decal, Oil Warning              |

\* = Not Available Separately  
 ASM = Assembly NI = Not Illustrated