

Operator's Manual  
SUPPLEMENT  
Model No. 714-XXX  
715-XXX

**⚠ WARNING:**

Read Engine  
Owner's Manual,  
Vehicle Operator's  
Manual, and  
Supplement  
Carefully Before  
Operating Vehicle.

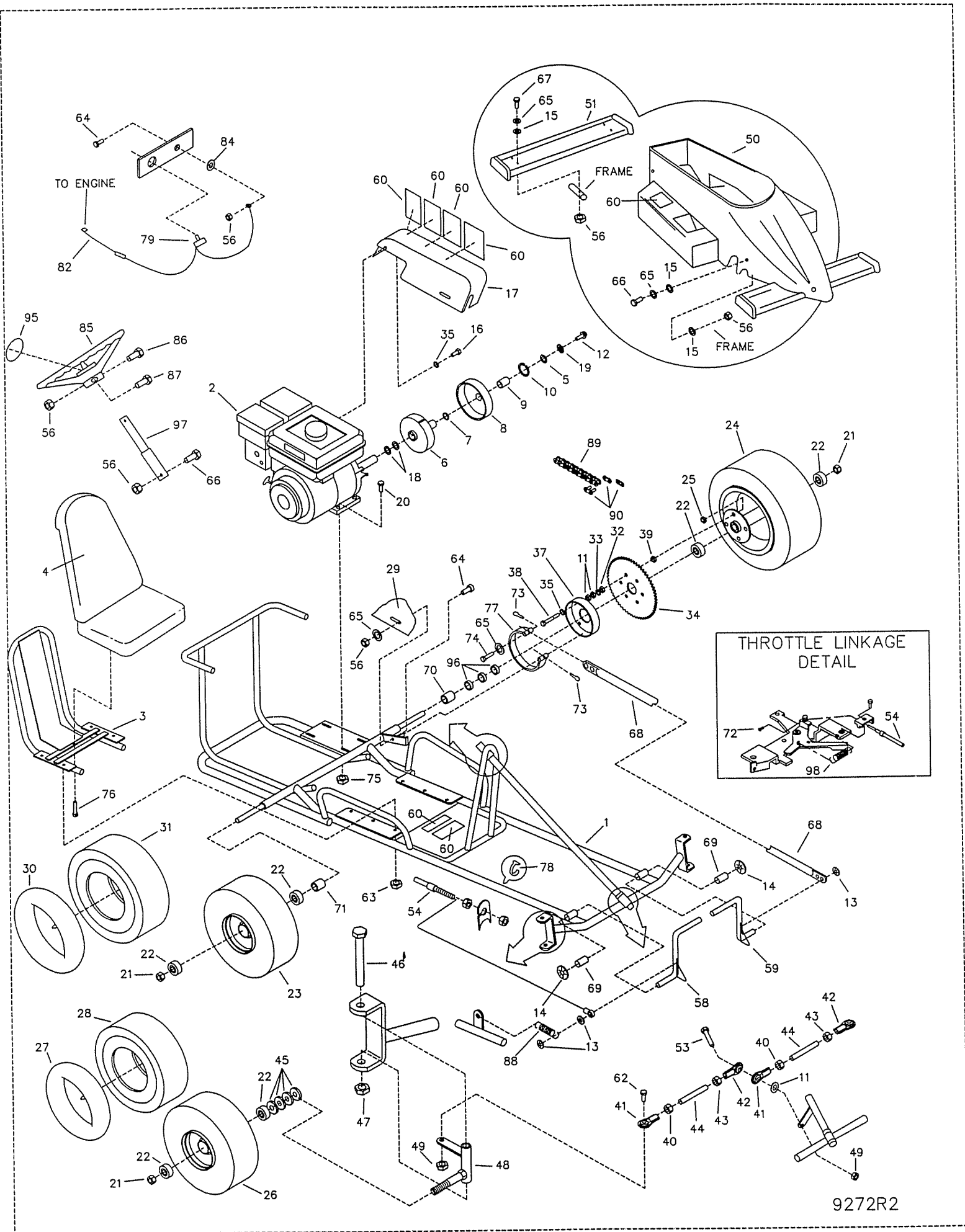
Parts List



4404 Engle Ridge Drive, Fort Wayne, IN 46804  
ph (219) 432-1596      fx (219) 432-7870

**THIS VEHICLE IS FOR  
OFF-ROAD USE ONLY**

BEFORE OPERATING THIS VEHICLE, THE OWNER AND/OR OPERATOR MUST UNDERSTAND THE VEHICLE WAS NOT DESIGNED OR MANUFACTURED TO MEET SPECIFICATIONS FOR USE ON STREETS, HIGHWAYS, OR THOROUGHFARES AND HAVE READ AND HAVE AN UNDERSTANDING OF ALL THE INSTRUCTIONS FOR SAFE ASSEMBLY AND OPERATION AS WELL AS THE INSTRUCTIONS GOVERNING THE ENGINE AND OTHER PORTIONS OF THE VEHICLE.



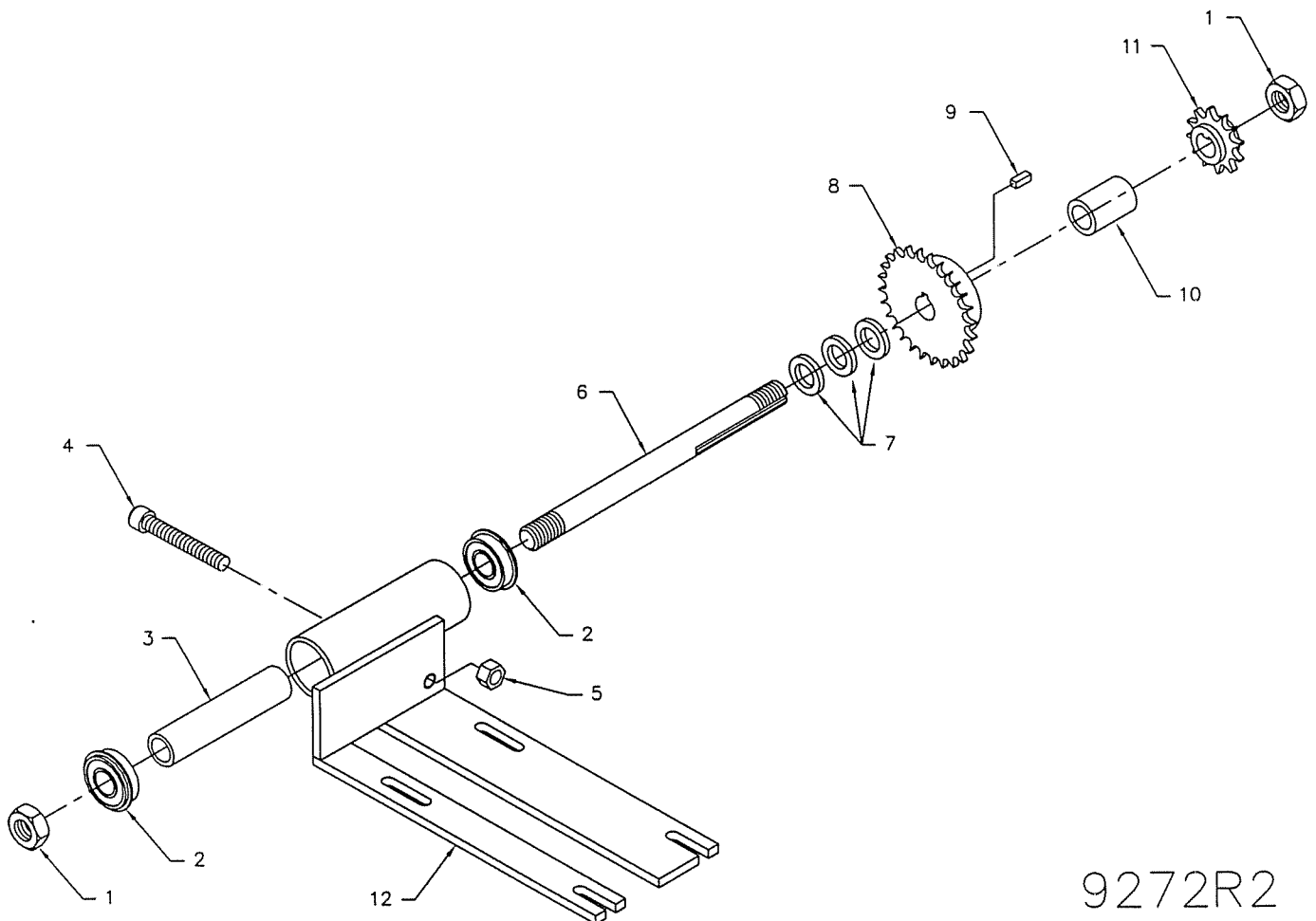
## PARTS LIST FOR MODELS 714 & 715

REF	PART	DESCRIPTION	REF	PART	DESCRIPTION
NO.	NO.	DESCRIPTION	NO.	NO.	DESCRIPTION
1	5297-2	Frame	49	9085	Nut, 3/8-16 Toplock
2	12246	Engine, 3.5hp (713)	50	4204	Indy Body (Specify Color)
	12247	Engine, 5hp (715-100)	51	4205	Indy Spoiler (Specify Color)
3	4399-2	Seat Frame	52	-----	-----
4	1976	Seat Pad	53	9145	Bolt, 3/8-16 x 1.75"
5	8186	Washer .391ID X 1.25OD X .12 (714)	54	1496	Throttle Cable w/ Housing (inc. 55)
	1398	Washer 21/64 ID X 1 1/4 X 1/8 (715)	55	9058	Nut, 5/16-24 Jam
<b>ASM</b>	4195	Clutch Assembly (715)	56	9057	Nut, 1/4-20 Toplock
<b>ASM</b>	4335	Clutch Assembly (714)	57	-----	-----
6	4496	Clutch Rotor	58	3279-16	Pedal, Throttle
7	3146	Washer, Fiber	59	3280-16	Pedal, Brake
8	9781	Drum w/ Sprocket (inc. 9)	60	11330	Decal Sheet - WARNINGS (SET)
9	3143	Bushing	61	-----	-----
10	3141	Snap Ring	62	9146	Bolt, 3/8-16 x 1.50"
11	8409	Nut 1/2-20 HEX Z (714)	63	1189	Nut, 5/16-18 Toplock
12	9073	Bolt 3/8-24 X .750 HHCS G5 BLK (714)	64	1846	Bolt, 1/4-20 x .75"
	1491	Bolt 5/16-24 X .750 HHCS G5 (715)	65	1854	Washer, #14 Flat
13	9149	Nut, 1/4" Push	66	1848	Bolt, 1/4-20 x 1.25"
14	9150	Nut, 1/2" Push	67	1849	Bolt, 1/4-20 x 1.50"
15	3463	Washer, 1/4" ID Rubber	68	5097-2	Brake Rod
16	9101	Bolt, 5/16-24 x .50"	69	3288-16	Bushing, 1/2" ID x .5"
17	9569	Cover	70	4266-16	Spacer .875OD .625ID 1.125L - Zinc Pltd (714)
18	1168	Washer, 3/4" ID (713)		1119	(Qty 4)Spacer .625ID 1.062OD .125Thk Z(715)
19	1130	Washer 5/16 SL Z (713)	71	2024-16	Spacer, 5/8" ID x 1.50"
	1124	Washer 5/16 SL Z (715)	72	12347	Swivel Screw From Robin
20	9186	Bolt, 5/16-18 x 1.50"	73	9116	Cotter Pin
21	1046	Nut, 5/8-11 Toplock	74	9118	Clevis Pin
<b>ASM</b>	10373	WH ASM 4IN STL WH 4.10 X 3.50 SLK	75	1263	Nut, 5/16-18 Flange
<b>ASM</b>	10374	WH ASM 5IN STL WH 4.10 X 3.50 SLK	76	1876	Bolt, 1/4-20 x .625" Whiz Flange
<b>ASM</b>	11607	WH ASM 5IN STL DR WH BA INDY SLK (715)	77	1036	Brake Band
<b>ASM</b>	11608	WH ASM 5IN STL DR WH BA 35X60T SLK(713)	78	1019	Ty-Wrap
22	5090	Bearing 5/8 ID 1-3/8 OD Snap Ring	<b>ASM</b>	9568	Stop Switch Assembly (inc. 79-83)
23	10374	WH ASM 5IN STL WH 4.10 X 3.50 SLK	79	1392	Stop Switch
24	10375	WH ASM 5IN STL DR WH 4.10 X 3.50 SLK	80	1393	Ring Terminal
25	9085	Nut 3/8-16 TL Hex Z	81	2650	Butt Connector
26	10373	WH ASM 4IN STL WH 4.10 X 3.50 SLK	82	12273	Wire Harness
27	1053	Tube, Front 4"	83	1394	Wire, 50" w/ Butt Connector
28	1751	Tire, Front 4.10/3.50 x 4" Slick	84	5732	Washer, 1/4" Int/Ext Lock
29	8933-2	Cover Panel - Indy Gblk (714)	85	6038	Steering Wheel
30	1753	Tube, Rear 5"	86	9080	Bolt, 1/4-20 x 2.75"
31	6035	Tire, Rear 4.10/3.50 x 5" Slick	87	9160	Bolt, 1/4-20 x .875"
32	9169	Nut 1/2-20 Hex Jam (715)	88	4365	Spring Extension .375 OD
33	8186	Washer .391ID X 1.25OOD X .12 (714)	89	6511	Chain 420 X 66 ML (715)
34	8007	Sprocket SA 35P 60T (714)		9788	Chain 35 X 58P W, Masterlink (714)
	9493	Sprocket SA 420P 60T (715)		5295	Chain 35 X 108 INC ML (714)
35	9091	Washer Flat 3/8 SAE N	90	2037	Master Link, #420 Chain
36	9127	Bolt, 5/16-18 x 2.25"	91	-----	-----
37	1246-16	Brake Drum	92	-----	-----
38	9158	Bolt 3/8-16 X 2.250 HHCS G5 Z (714)	93	-----	-----
	9145	Bolt 3/8-16 X 1.750 HHCS G5 Z (715)	94	-----	-----
39	9169	Nut 1/2-20 Hex Jam	95	3296	Decal, Steering Wheel Center
<b>ASM</b>	6982	Tie Rod Assembly (inc. 40-44)	96	1119	Spacer, 5/8 ID x .125" (715)
40	9092	Nut 1/2-20 Hex Z	97	3123-2	Extension, Steering Column
41	1414	Tie Rod End, Right Hand Thread	98	12348	Return Spring
42	1415	Tie Rod End, Left Hand Thread	<b>NI</b>	3025	Vehicle Operator's Manual
43	9024	Nut, 3/8-24 Jam, Left Hand Thread	<b>NI</b>	12268	Engine Owner's Manual
44	6981	Tie Rod	<b>NI</b>	6985	Seat Slide Kit
45	1119	Spacer .625ID 1.062OD .125THK Z	<b>NI</b>	11329	Decal Sheet - WARNINGS (SET)
46	1264	Bolt, 1/2-13 x 3.50"			
47	1012	Nut, 1/2-13 Toplock			
48	8021-2Z	Spindle, Right Side			
<b>NI</b>	8020-2Z	Spindle, Left Side			

**ASM** = Assembly    **NI** = Not Illustrated

# 714 MODEL ONLY

SPEED REDUCER		
REF NO	PART NO	DESCRIPTION
1	1136	NUT 5/8-18 CL HEX JAM Z
2	5090	BEARING 5/8 ID 1-3/8 OD SNAP RING
3	6568	SPANNER 5/8 ID X 3-7/8 LG 11GA
4	2385	BOLT 3/8-16 X 4.000 FULL THRD HHCS G2 Z
5	1128	NUT 3/8-16 HEX Z
6	6563	JACKSHAFT 5/8 X 8.500
7	1119	SPACER .625ID 1.062OD .125THK Z
8	6570	SPROCKET 35P 26T .625IN ID
9	1031	KEY 3/16SQ X .500L
10	4266-16	SPACER .875OD .625ID 1.125L - ZINC PLTD
11	3504	SPROCKET DR 35P 12T .625IN ID
12	6558-2	SPEED REDUCER CHASSIS GBLBK



9272R2

# MARCO PRODUCTS, INC.

4404 Engle Ridge Drive, Fort Wayne, IN 46804  
Tele: (219)432-1596 Fax: (219)432-7870

