

Operator's Manual
SUPPLEMENT
Model No.
713E-0

⚠ WARNING:

Read Engine
Owner's Manual,
Vehicle Operator's
Manual, and
Supplement
Carefully Before
Operating Vehicle.

Parts List



4404 Engle Ridge Drive, Fort Wayne, IN 46804
ph (260) 432-1596 fx (260) 432-7870

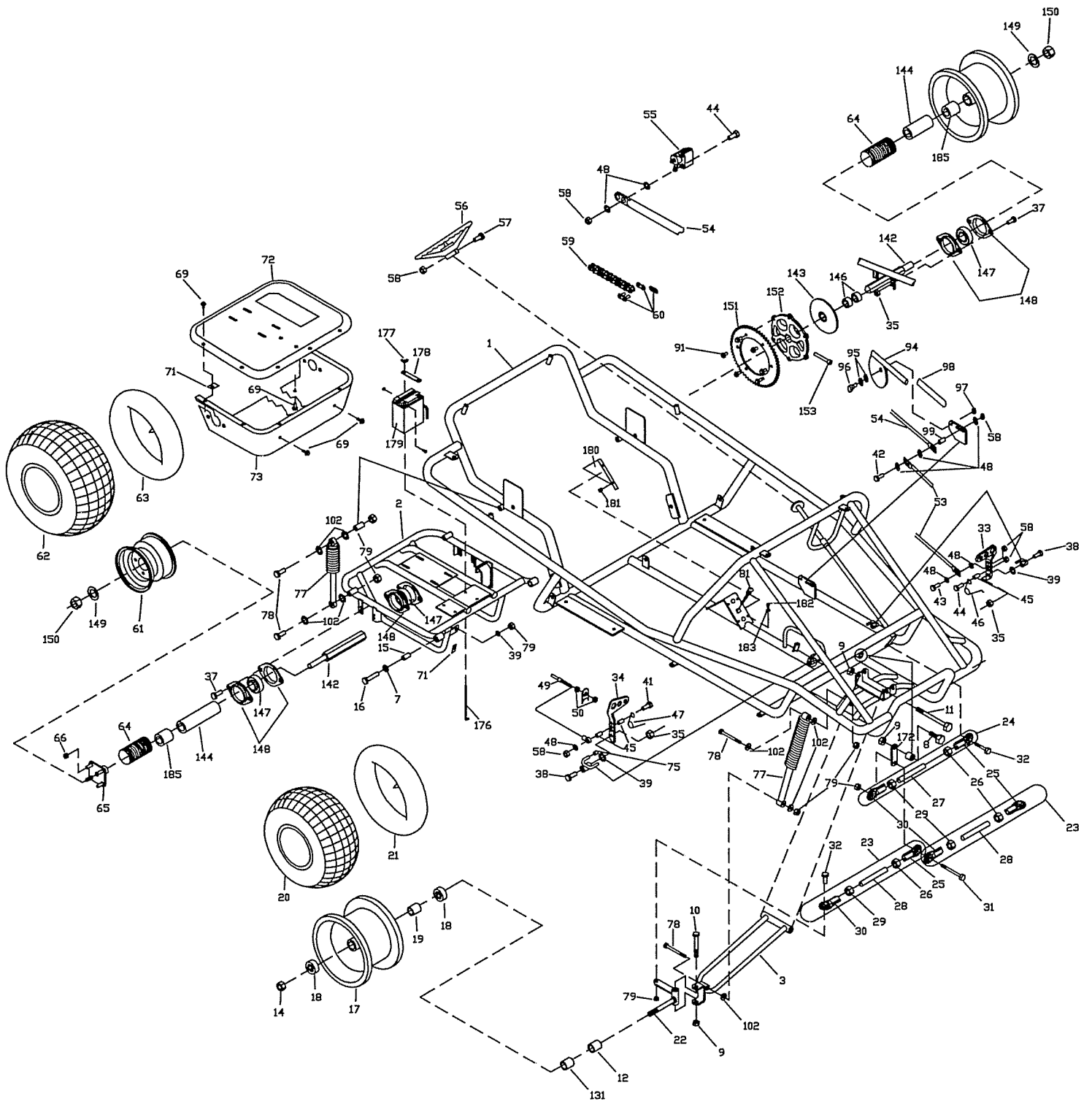
**THIS VEHICLE IS FOR
OFF-ROAD USE ONLY**

BEFORE OPERATING THIS VEHICLE, THE OWNER AND/OR OPERATOR MUST UNDERSTAND THE VEHICLE WAS NOT DESIGNED OR MANUFACTURED TO MEET SPECIFICATIONS FOR USE ON STREETS, HIGHWAYS, OR THOROUGHFARES AND HAVE READ AND HAVE AN UNDERSTANDING OF ALL THE INSTRUCTIONS FOR SAFE ASSEMBLY AND OPERATION AS WELL AS THE INSTRUCTIONS GOVERNING THE ENGINE AND OTHER PORTIONS OF THE VEHICLE.

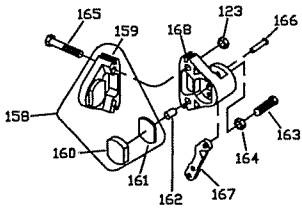
PARTS LIST MODEL 713E

REF	PART #	DESCRIPTION
1	12391-37	FRAME – RED WAGON
2	12871	REAR SWINGARM ASSY (INCL #15)
3	11954-2Z	RIGHT FRONT SWINGARM W/ZERK
NI	11955-2Z	LEFT FRONT SWINGARM W/ZERK
4	11923-37	REAR BAR – RED WAGON
5	11925-37	OVERHEAD BAR – RED WAGON
6	12011-2	SEAT FRAME – BLACK
7	9022	WASHER ½ STD FLAT ZINC
8	9188	BOLT ½-13 X 1.50 HHCS G5 ZINC
9	1012	NUT ½-13 TL HEX ZINC
10	1264	BOLT ½-13 X 3.75 HHCS G2 ZINC
11	10834	BOLT ½-13 X 7.00 HHCS G5 ZINC
12	1104	SPACER SPLIT .812OD .625ID 1.00LONG
14	1046	NUT 5/8-11 TL HEX ZINC
15	12140	BRONZE BUSHING .625 X 1.25
16	12141	SHOULDER BOLT ½ X 1.875
17	12826	16 X 6.5 X 8 FRONT WHEEL ASSY (INCLUDES 18-21)
18	5090	BEARING 5/8 ID 1-3/8 OD SNAP RING
19	5950	SPANNER 5/8 ID X 2-1/8 SSZ
20	12829	TIRE - 16 X 6.50 X 8 POLAR TRAC
21	9609	TUBE - 16/8.0 X 7
22	11950-2Z	RIGHT SPINDLE BLACK WITH ZERK
NI	11951-2Z	LEFT SPINDLE BLACK WITH ZERK
23	12467	TIE ROD ASM LONG (INCL. 25,26,28-30)
24	12001	TIE ROD ASSY (INCL. 25-27,29,30)
25	1414	RIGHT THREAD ROD END
26	9092	RIGHT JAM NUT 3/8-24
27	11886	TIE ROD 5"
28	12466	TIE ROD 16.5"
29	9024	LEFT JAM NUT 3/8-24
30	1415	LEFT THREAD ROD END
31	9158	BOLT 3/8-16 X 2.25 HHCS G5 ZINC
32	9146	BOLT 3/8-16 X 1.50 HHCS G5 ZINC
33	6293-16	BRAKE PEDAL
34	6309-16	THROTTLE PEDAL
35	1189	NUT 5/16-18 HEX TL ZINC
36	8655	SEAT SLIDE – PAIR
37	9176	BOLT 5/16-18 X 1.00 HHCS G5 ZINC
38	1447	BOLT 5/16-18 X 11/16 THD SHOULDER
39	9091	WASHER FLAT 3/8 SAE N ZINC
41	1848	BOLT ¼-20 X 1.25 HHCS G5 ZINC
42	1849	BOLT ¼-20 X 1.50 HHCS G5 ZINC
43	1846	BOLT ¼-20 X .750 HHCS G5 ZINC
44	1847	BOLT ¼-20 X 1.00 HHCS G5 ZINC
45	1389	BUSHING .25ID X .031G X .313
46	9502	PEDAL SPRING – LEFT WOUND
47	9503	PEDAL SPRING – RIGHT WOUND
48	1854	WASHER NBR 14 FLAT MS ZINC
49	8251	THROTTLE CABLE (INCLUDES #50)
50	9058	NUT 5/16-24 HEX JAM
53	11997-2	FRONT BRAKE ROD – 11.125 INCH
54	10155-2	REAR BRAKE ROD – 46.75 INCH

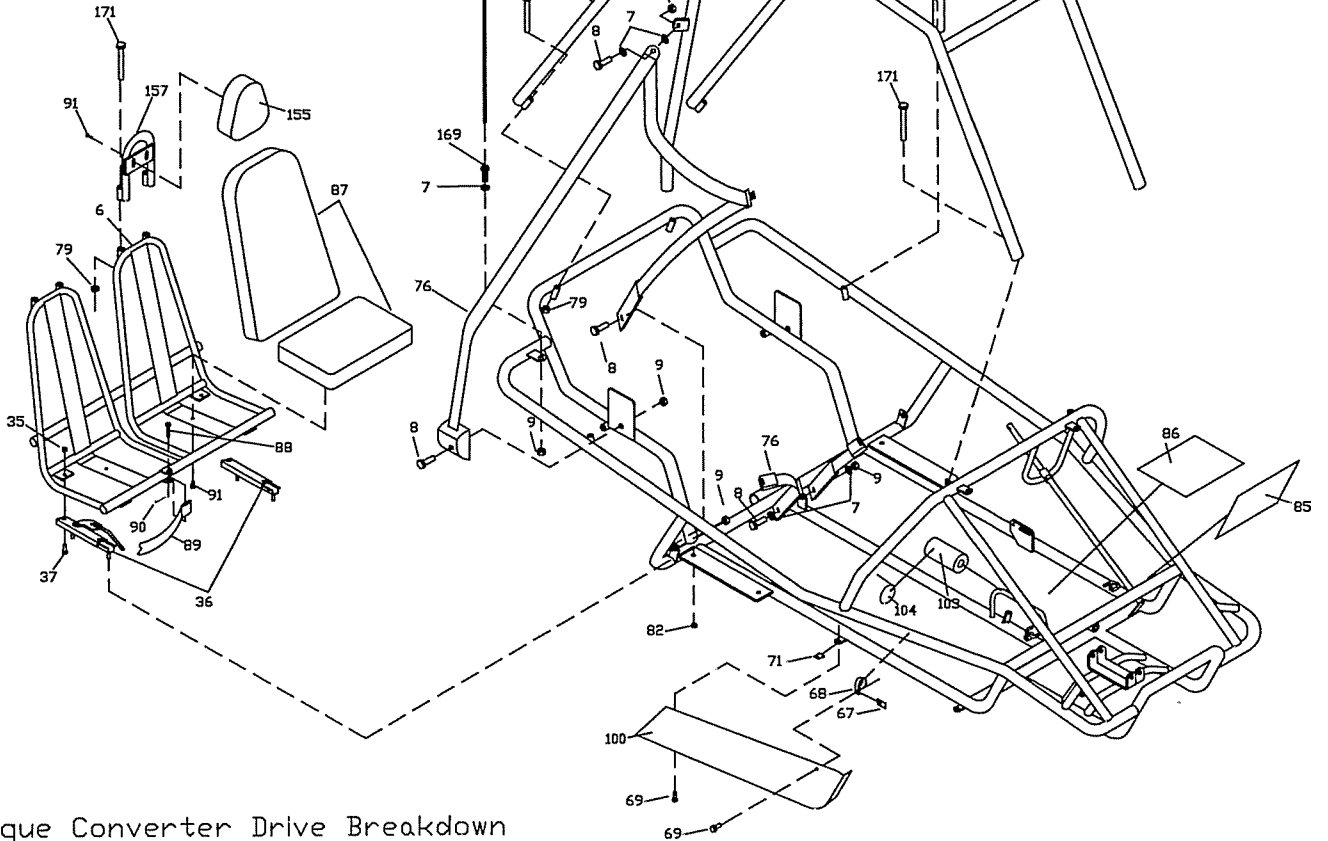
REF	PART #	DESCRIPTION
55	10335	BRAKE CALIPER MB1
56	12496	STEERING WHEEL
NI	12481	STEERING WHEEL CAP
57	9103	BOLT ¼-20 X 2.00 HHCS G2 ZINC
58	9057	NUT ¼-20 TL ZINC
59	12873	CHAIN 420 X 81P (INCL #60)
60	2037	MASTER LINK 420 FOR CHAIN
61	1412	WH ASSY 8IN STL (INCLUDES 62 & 63)
62	1452	TIRE – 22 X 11-8 KNOBBY
63	1430	TUBE – 18/9.5 X 8
64	G0725	LOOM 7.25L X 1.625OD
65	1557H	WHEEL FLANGE ASSY – HEX
66	1428	NUT ½-20 CONE WHEEL
67	8227	NUT ¼-20 CLIP
68	11387	LOOP CLIP 1.25ID
69	1876	BOLT ¼-20 X .625 HH WF ZINC
71	2449	TINNERMAN NUT
72	12852	TOP GUARD
73	12155	BOTTOM GUARD
74	13336	TAV COVER ASSEMBLY
75	9929	BLACK VINYL CAP
76	8778	LAP/SHOULDER SEAT BELT
77	12015	SHOCK ABSORBER
78	9190	BOLT 3/8-16 X 3.25 HHCS G5 ZINC
79	9085	NUT 3/8-16 TL HEX ZINC
80	9192	NUT 3/8-16 HEX WF
81	8118	CHOKE CABLE
82	1263	NUT 5/16-18 HEX WF ZINC
83	11330	WARNING DECAL SHEET
84	12008	WARNING DECAL SHEET
85	12843	XTK DECAL
86	11836	FLOOR PAN SCUFF DECAL
87	11636	BACK/BOTTOM SINGLE SEAT
88	8484	CLEVIS PIN ¼ X 1.50
89	4372	HANDHOLD
90	9116	COTTER PIN 3/32 X .750 ZINC
91	9006	BOLT ¼-20 X .50 HH WF
WD	12865	HARNES WIRING
WD	12159	LIGHT/STOP SWITCH WIRING
WD	13097	REPLACEMENT – LIGHTS ONLY (PAIR)
WD	12353	KEY SWITCH
WD	12866	VOLTAGE REGULATOR
94	6773-2	PARKING BRAKE HANDLE
95	6441	WASHER 3/8 SPRING PL
96	9172	SHOULDER BOLT 3/8 X ¼
97	6440	NUT 5/16-18 JAM
98	6442	BRAKE HANDLE COVER
99	9869	SPACER .25ID .312OD .625 BR
100	12018	RIGHT SIDE PANEL
NI	12019	LEFT SIDE PANEL
102	9125	WASHER FLAT 3/8 USS W ZINC
103	12039	FOAM 2.25 X 1.125 X 4.50
104	1019	CABLE TIE – 7INCH



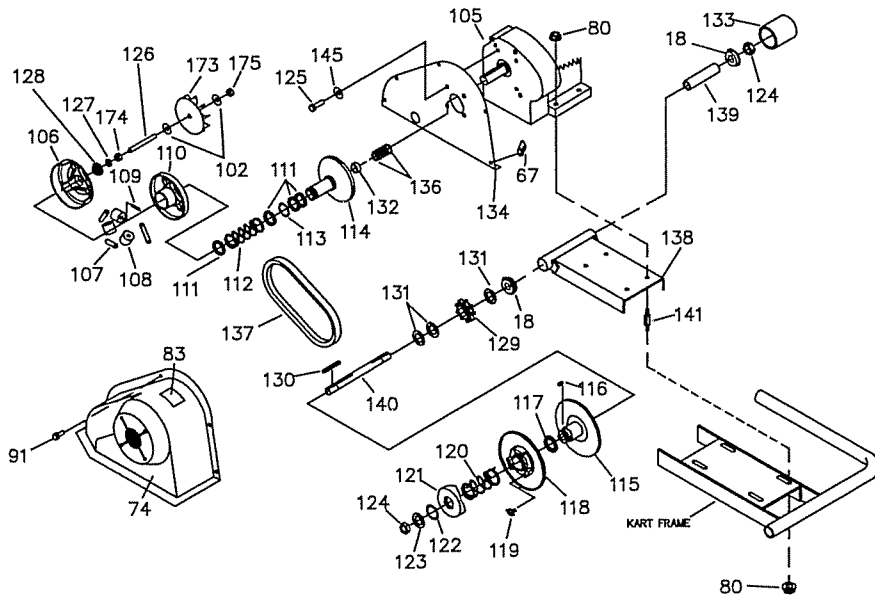
Brake Caliper Breakdown



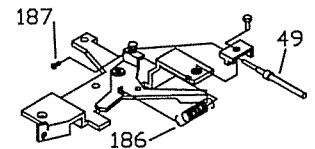
Orientation of lever and hardware may vary.

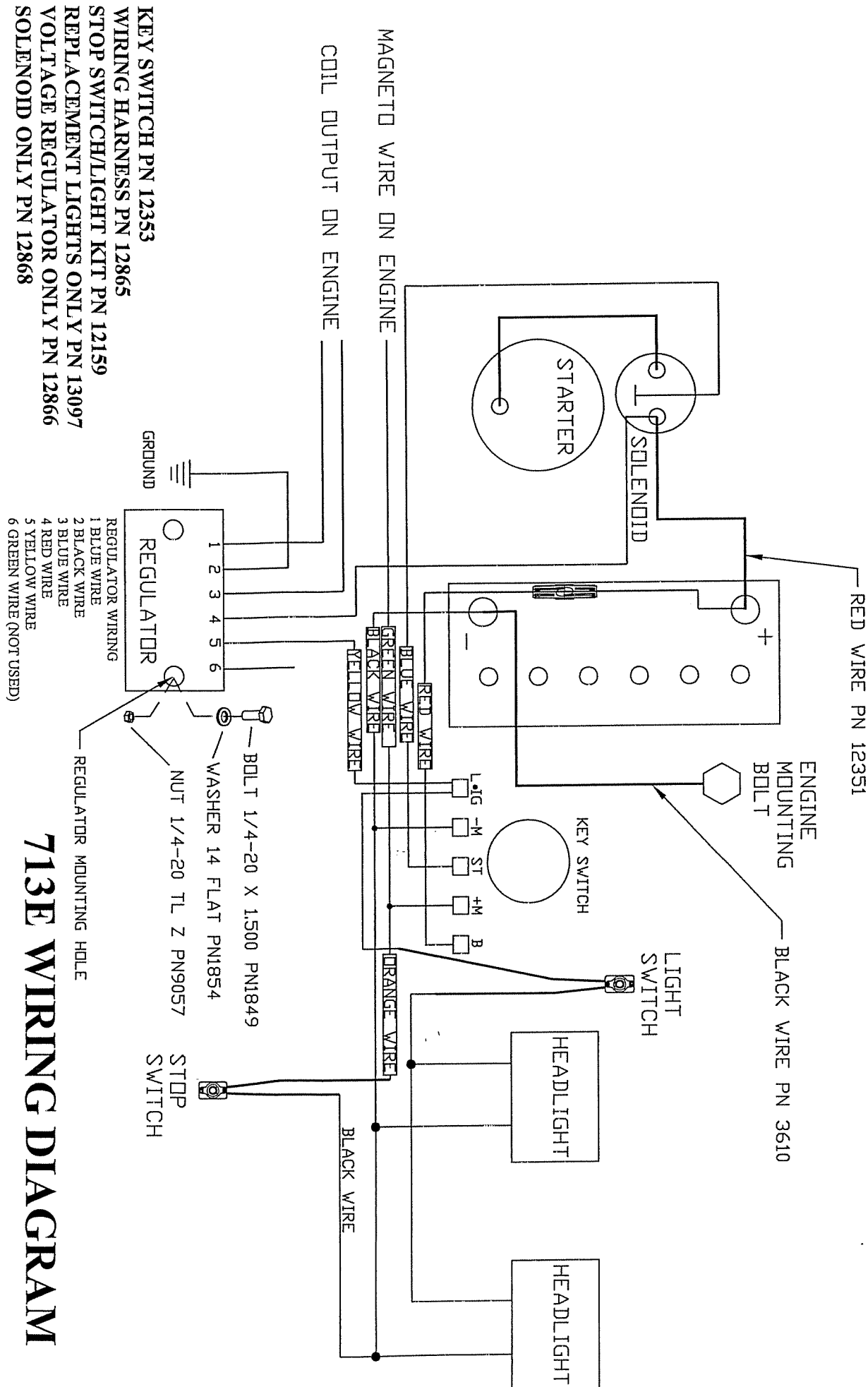


Torque Converter Drive Breakdown



THROTTLE LINKAGE DETAIL





713E WIRING DIAGRAM

12864R6