

Operator's Manual
SUPPLEMENT
Model No. 618-01

⚠ WARNING:

Read Engine
Owner's Manual,
Vehicle Operator's
Manual, and
Supplement
Carefully Before
Operating Vehicle.



4404 Engle Ridge Drive, Fort Wayne, IN 46804
ph (219) 432-1596 fx (219) 432-7870

Parts List

**THIS VEHICLE IS FOR
OFF-ROAD USE ONLY**

BEFORE OPERATING THIS VEHICLE, THE OWNER AND/OR OPERATOR MUST UNDERSTAND THE VEHICLE WAS NOT DESIGNED OR MANUFACTURED TO MEET SPECIFICATIONS FOR USE ON STREETS, HIGHWAYS, OR THOROUGHFARES AND HAVE READ AND HAVE AN UNDERSTANDING OF ALL THE INSTRUCTIONS FOR SAFE ASSEMBLY AND OPERATION AS WELL AS THE INSTRUCTIONS GOVERNING THE ENGINE AND OTHER PORTIONS OF THE VEHICLE.

REPAIR PARTS 618-01

ILLUSTRATED PARTS

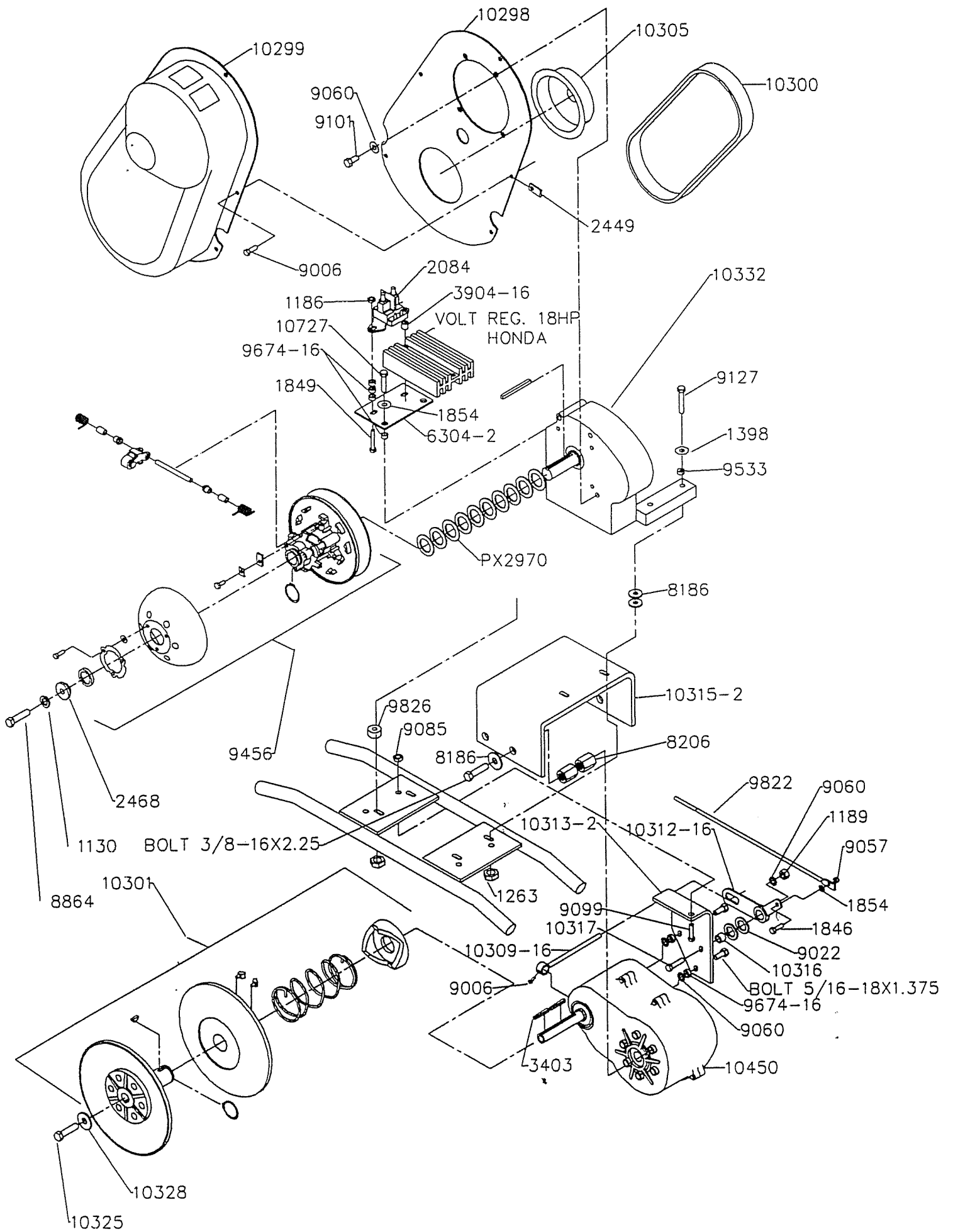
10298 COVER PLATE 612 DANA
10299 COVER CLUTCH 612 DANA
10300 DRIVE BELT 300641 DANA
10301 DRIVEN PULLEY 302475 DANA
10305 INPUT SHAFT GUARD DANA
10309-16 SHIFT ROD WELDMNT - ZINC PLTD
10312 SHIFT BELCRANK WELDMNT
10313 FRONT SUPPORT DANA
10315-2 TRANSAXLE MNT DANA - GBLK
10316 BUSHING .312X.5X.75 LG BR
10317 BOLT 5/16-18 X1.5 SQ NECK RD HEAD
10325 BOLT 1/2-20 X 2.25 HHCS G5 ZN
10328 WASHER .53 X 1.25 X .125 THK ZINC
10332 ENGINE 18 HP HONDA GX610QDF
10450 TRANSAXLE DANA 8:1
10727 BOLT M6 X 1.00 X 30 HHCS G5
1130 WASHER 3/8 SL Z
1186 NUT 1/4-20 HEX W Z
1189 NUT 5/16-18 HEX TL Z
1263 NUT 5/16-18 HEX WF Z
1398 WASHER 21/64 ID X 1 1/4 X 1/8
1846 BOLT 1/4-20 X .750 HHCS G5 Z
1849 BOLT 1/4-20 X 1.500 HHCS G5 Z
1854 WASHER #14 FLAT MS Z
2084 SOLENOID
2449 NUT TINNEMAN C7343-1420-4
2468 PILOT WASHER
3403 KEY 3/16SQ X 2.000
3904-16 SPACER 5/8 OD X 5/8 - ZINC PLTD
6304-2 BRACKET SOLENOID GBLK
8186 WASHER .391ID X 1.25OOD X .12
8206 NUT 1/2-20 HEX HIGH Z
8864 BOLT 3/8-24 X 4.5 HHCS GR5 YELL Z
9006 BOLT 1/4-20 X .500 HH WF
9022 WASHER 1/2 STD FLAT Z
9057 NUT 1/4-20 TL Z
9060 WASHER 5/16 TYPE A PLAIN SAE N Z
9085 NUT 3/8-16 TL HEX Z
9099 BOLT 3/8-16 X 1.000 HHCS G5 Z
9101 BOLT 5/16-24 X .500 HHCS G5 NL
9127 BOLT 5/16-18 X 2.250 HHCS G5 Z
9456 DRIVER PULLEY 780S 302424
9533 BUSHING .312ID
9674-16 SPACER 3/8 ID X 3/8 L ZINC PLTD
9822 BRAKE ROD
9826 ENGINE STAND-OFF
PX2970 BUSHING #9 1.000ID X .125 MACHINE

NON ILLUSTRATED PARTS

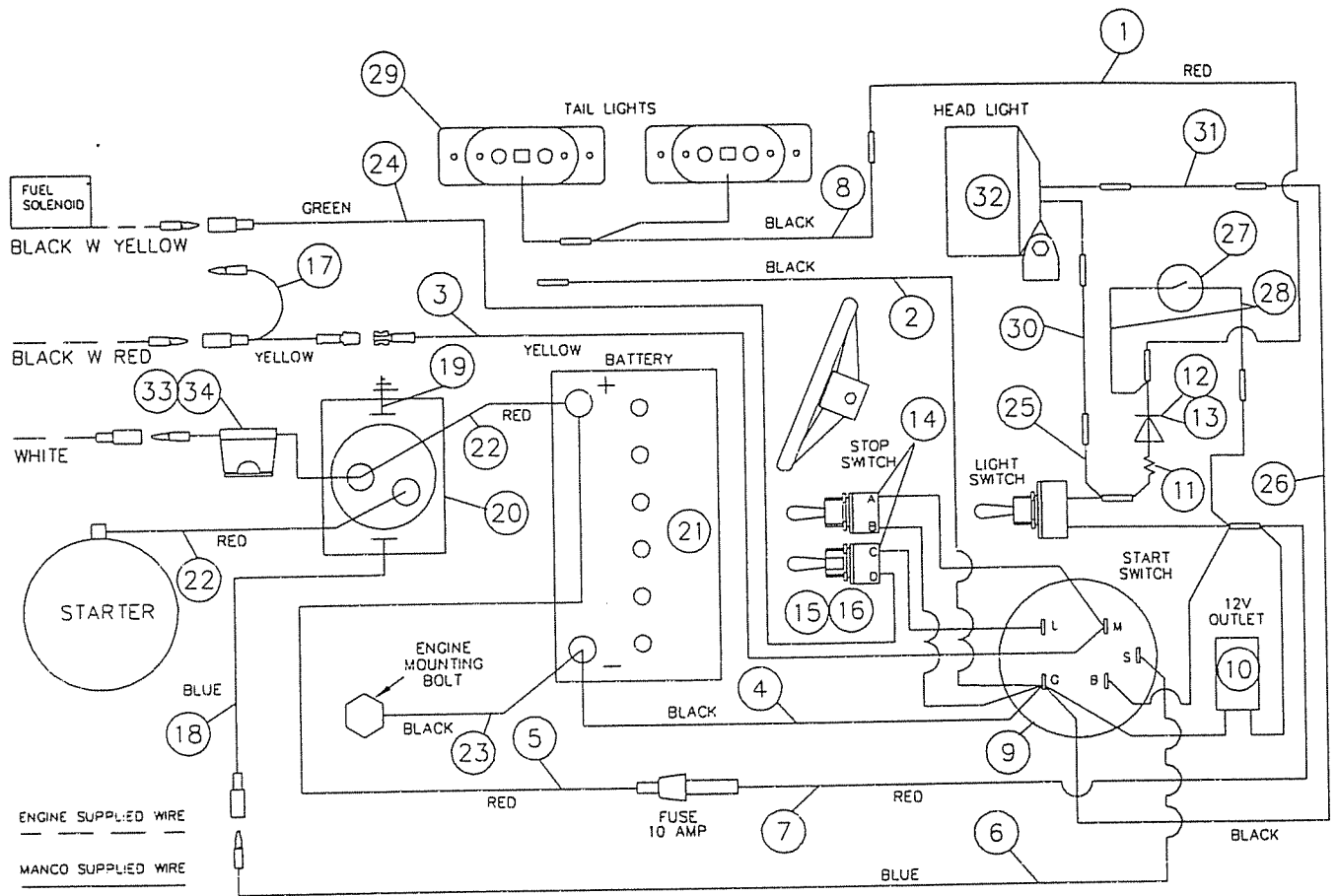
10333 OIL FILT EXT 18 HP HONDA
10334 MUFFLER 550800 18 HP HONDA
10819 HEAT SHIELD 18 HP HONDA
10909 EXH. DEF. KIT 18 HP 06184-ZJ1-800
2666 SWIVEL SCREW
2748 CABLE STOP NUT
8733 DECAL OIL WARNING
9394 CABLE CLAMP
9878 BOLT M5-.8 X 12 HHCS
9934 DECAL-WARNING DUECE STARTING

* Fix →

618-01



618-01 WIRING



REF NO.	PART NO.	DESCRIPTION	REF NO.	PART NO.	DESCRIPTION
ASM	9478P	WIRE HARNESS (INC. 1-7)	18	8281	SOLENOID WIRE ADAPT (BLUE)
1	6889	TAIL LIGHT WIRE (RED)	19	2093	SOLENOID JUMP WIRE (RED)
2	6890	TAIL LIGHT WIRE (BLK)	20	2084	SOLENOID
3	9481	ENGINE STOP WIRE (YELLOW)	21	5276	BATTERY U1L2
4	6888	BATTERY GROUND WIRE (BLK)	22	3611	BATTERY CABLE (RED)
5	6886	BATTERY/LIGHT SWITCH (RED)	23	3610	BATTERY CABLE (BLK)
6	9480	SOLENOID/SWITCH WIRE (BLUE)	24	10650	FUEL SOLENOID WIRE (GREEN)
7	6894	LIGHT SWITCH ASM	25	6891	HEAD LIGHT WIRE (RED)
8	8504	TAIL LIGHT EXT. WIRE (BLK)	26	6892	HEAD LIGHT WIRE (BLK)
9	10645	KEY SWITCH	27	5693	BRAKE LIGHT SWITCH
10	8806	12 VOLT OUTLET	28	10127	BRAKE LIGHT WIRE ASM
11	8819	BRAKE LIGHT RESISTOR ASM	29	6508	TAIL LIGHT ASM
12	10662	DIODE ASM (INC. 13)	30	9302	HEAD LIGHT EXT WIRE (RED)
13	10285	DIODE	31	9303	HEAD LIGHT EXT WIRE (BLK)
14	10642	STOP SWITCH ASM (INC. 15-16)	32	6800	HEAD LIGHT ASM
15	10643	STOP SWITCH	33	10447	FUSE ASM 25 AMP (INC. 34)
16	10644	STOP SWITCH HOUSING	34	10448	FUSE 25 AMP
17	8107	STOP WIRE ADAPTER (YELLOW)			

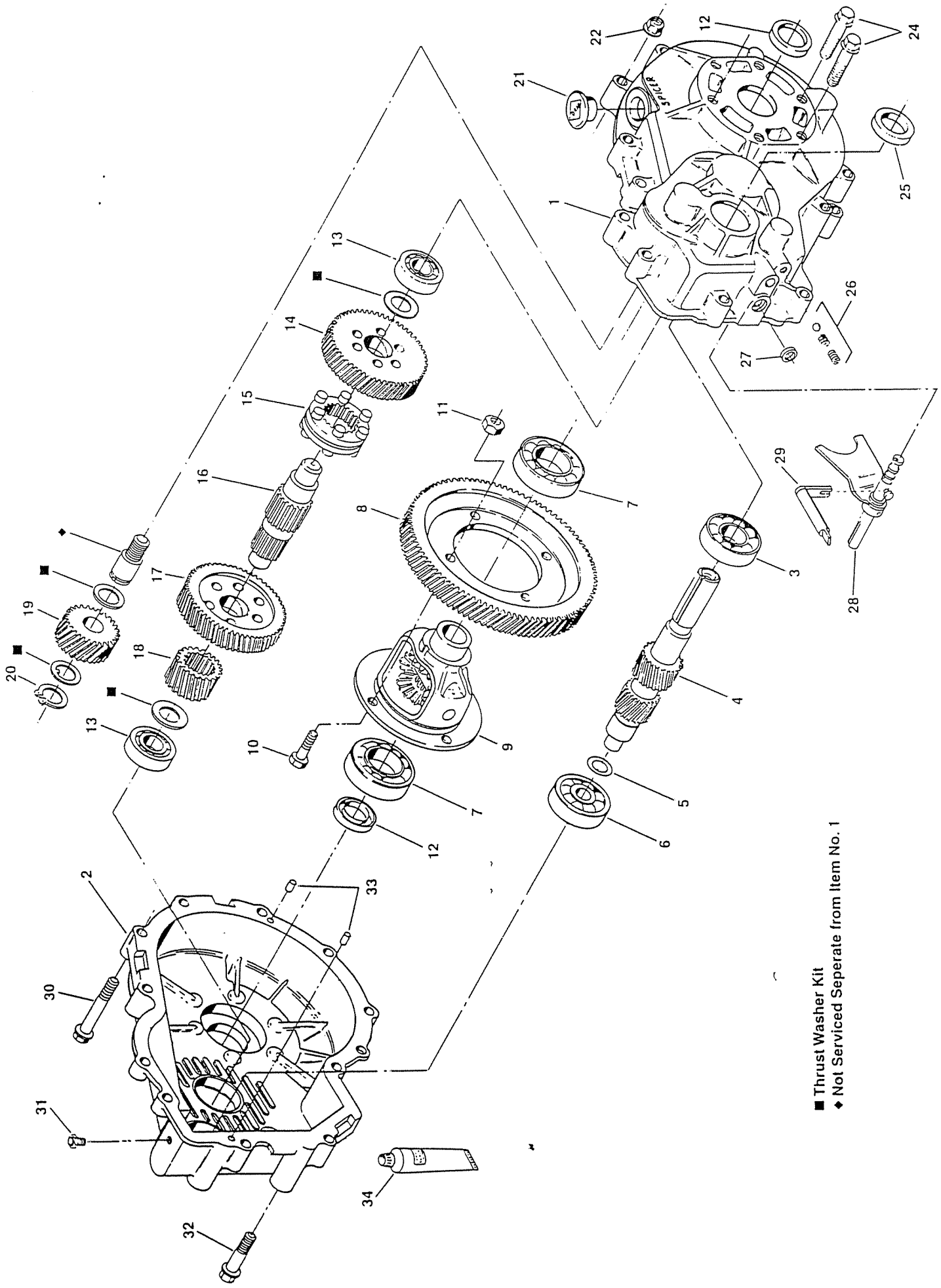
REPAIR PARTS 612-02 & 618-01

ILLUSTRATED PARTS

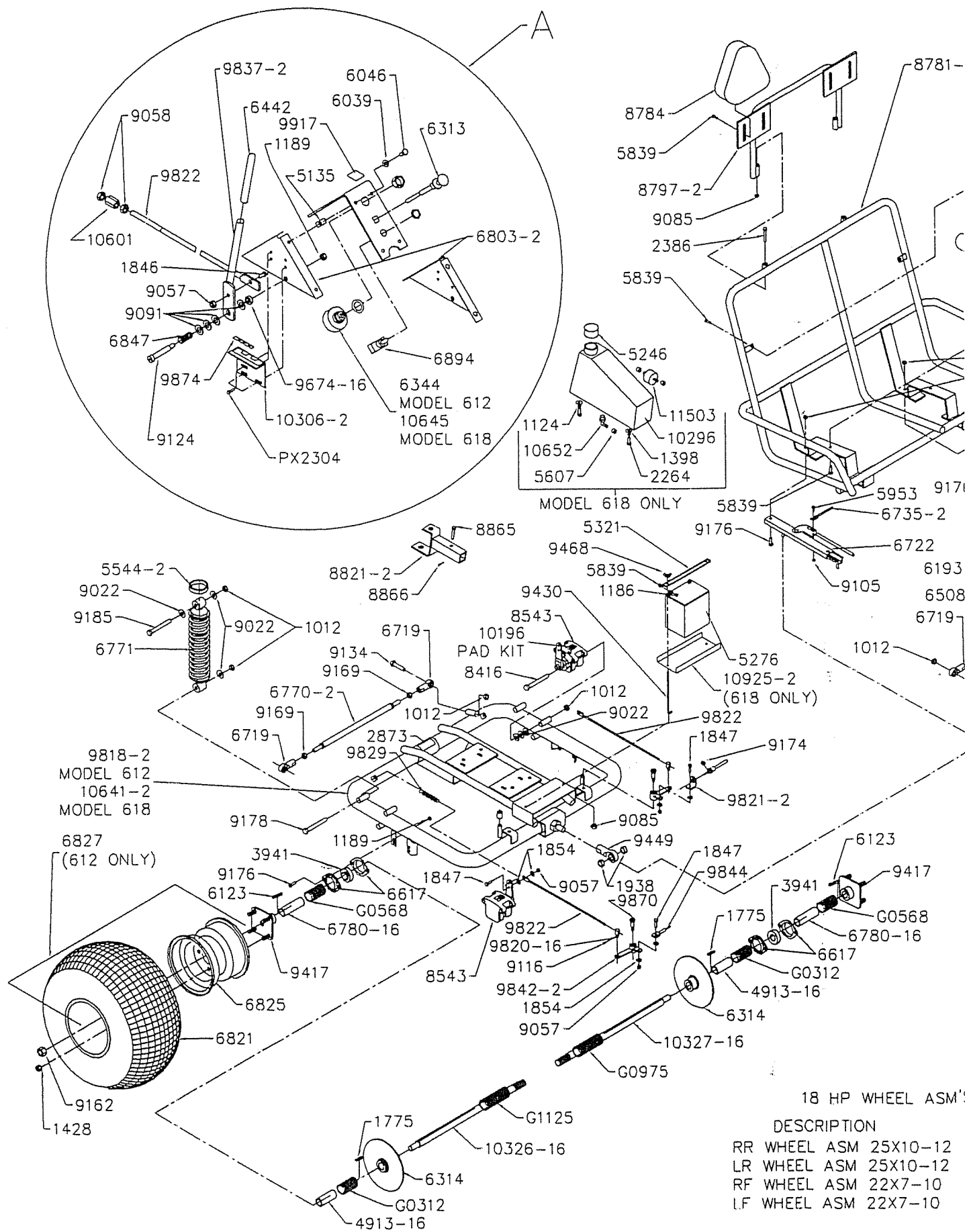
1007	BOLT 5/8-11 X 6.000 HHCS G5 Z	6719	1/2 FEMALE ROD END	9417	WHEEL HUB ASSEMBLY
1012	NUT 1/2-13 TL HEX Z	6722	SEAT SLIDE - PAIR	9427	BUSHING - TRAILING ARM
10123-2Z	SPINDLE RH LG - GBLK W/ ZERK	6726	BEARING SEALED-SST	9430	BATTERY HOLD DOWN ROD
10126-2	FRONT BRK WDMT - GBLK	6735-2	SEAT SLIDE LINK - GBLK	9449	ROD END 3/4
10296	GAS TANK REMOTE DEUCE	6736	SPANNER 3/4 ID 3.062 LG	9454	END CAP
10306-2	GATE PLATE DANA BLK	6743	TIE ROD 21.500	9455	PIN SPRING 1/4 X 2.250
10326-16	AXLE WELD 24.789 LG DANA	6770-2	STABILIZER BAR WDMT	9468	NUT #10-32 NL WING
10327-16	AXLE WELD 23.539 LG DANA	6771	SHOCK BLACK	9502	SPRING PEDAL LEFT WOUND
10413	WHEEL ASM 25X10-12 BLK RR	6773-2	PARKING BRAKE HANDLE	9503	SPRING PEDAL RIGHT WOUND
10414	WHEEL ASM 25X10-12 BLK LR	6780-16	SPACER 1.000ID 12G 3.875L	9674-16	SPACER 3/8 ID X 3/8 L ZINC
10415	WHEEL ASM 22X7-10 BLK RF	6803-2	COVER CNTRL PANEL BLK	9763B	FOAM 2.25 X .88 X 16 BLACK
10416	WHEEL ASM 22X7-10 BLK LF	6806	TIRE 20X7-8 KNOBBY	9818-2	CHASSIS WDMT 12 HP - GBLK
1046	NUT 5/8-11 TL HEX Z	6807	WHEEL 7-8	9820-16	ROD PIVOT - ZINC PLTD
10601	NUT COUPLING 5/16-24X1 1/8	6811	TUBE 20X7-8	9821-2	BRAKE CABLE BRACKET
10641-2	CHASSIS WDMT 18 HP - GBLK	6817	WH ASM 9" 20X7 KN	9822	BRAKE ROD
10645	SWITCH 18 HP INDAC	6821	TIRE 25X12-9 KNOBBY	9829	EXTENSION SPRING
10652	ELBOW 1/4NPT 1/4ID HOSE	6825	WHEEL 12-9	9834-2	STEERING CRANK WDMT
10925-2	BATTERY LOCATOR GBLK	6827	WH ASM 9" WH 4-BOLT 25X12 KN	9837-2	SHIFTER HANDLE WELD
1124	WASHER 5/16 SL Z	6841	FRONT HUB W,STUDS	9842-2	PIVOT WLDMT BLK
1130	WASHER 3/8 SL Z	6847	SPRING COMPRESSION	9844	BRAKE CABLE
11503	FUEL FILTER TEC	6894	LIGHT SWITCH ASM	9869	SPACER .25ID .312D .625 BR
1186	NUT 1/4-20 HEX W Z	6969	PLASTIC PLUG	9870	BOLT SHOULDER 1/2 X 1.00
1186	NUT 1/4-20 HEX W Z	8173	THROTTLE CABLE 90.5 IN	9871	BOLT SHOULDER 1/2 X 3.00
1189	NUT 5/16-18 HEX TL Z	8416	BOLT 1/2-13 X 6.0 HHCS G5 Z	9872	WASHER 1/4 TYPE B WIDE
1189	NUT 5/16-18 HEX TL Z	8543	BRAKE CALIPER - CARLISLE	9873	CAM FOLLOWER BEARING
1389	BUSHING .25ID X .313 LG	8768-11	FRAME WDMT VERDE GRN	9874	DECAL - SHIFTER GATE
1398	WASHER .328IDX1 1/4X1/8	8776-2	BRAKE ROD WDMT RR BLK	9917	DECAL CAUTION SHIFT
1414	TIE ROD END RH	8778	HARNES LAP SHOULDER	G0312	LOOM 3.125 L 1.625 ID
1415	TIE ROD END LH	8780-11	CAGE WELD VERDE GRN	G0568	LOOM 5.687 L 1.625 ID
1428	NUT 1/2-20 CONE WHEEL	8781-2	SEAT FRAME WELD BLK.	G0975	LOOM 9.750 L 1.625 ID
1447	BOLT 5/16-18X 3/8X1-1/8SHLD	8784	HEADREST 612	G1125	LOOM 11.250 L 1.625 ID
1465	TIE ROD 10.625	8789	SEAT BOTTOM BACK	PX2304	BOLT 1/4X.625 HEX SELF-TAP
1650	WASHER 5/8 FLAT SAE Z	8797-2	HEADREST FRAME BLK		
1775	KEY 1/4SQ X 1.250L	8821-2	HITCH WELD W,LABEL		
1846	BOLT 1/4-20 X .750 HHCS G5 Z	8832	STEERING WHEEL		
1847	BOLT 1/4-20 X 1.00 HHCS G5 Z	8865	1/2 DIA 2.0 LG CLEVIS PIN		
1848	BOLT 1/4-20 X 1.25 HHCS G5 Z	8866	CLEVIS PIN KEEPER		
1849	BOLT 1/4-20 X 1.50 HHCS G5 Z	8885	SPACER .25IDX.375LG BR		
1854	WASHER #14 FLAT MS Z	8986	BOLT 1/4-20X2 GR8 ZINC		
1938-16	SPACER .75ID 11GA .375 ZI	9022	WASHER 1/2 STD FLAT Z	1441	DECAL FLOOR PAN SCUFF
2264	BOLT 5/16-18 X .75 HHCS G5 Z	9024	NUT 3/8-24 LH JAM	10122-2Z	SPINDLE LH LG - W/ ZERK
2386	BOLT 3/8-16 X 3.50 HHCS G5 Z	9052	NUT 3/4-16 TL HEX Z	10196	BRAKE PAD KIT
2873	DECAL - TRAILER LOAD	9057	NUT 1/4-20 TL Z	10274	SPOUT ADAPTER & TUBE
3941	BEARING SEAL 1.0 ID	9058	NUT 5/16-24 HEX JAM Z	11329	DECALS - WARNINGS (SMALL)
4913-16	SPACER 1.0IDX3.00L ZINC	9060	WASHER 5/16 PLAIN ZN	11330	DECALS - WARNINGS (LARGE)
5135	NUT TINNERMAN	9085	NUT 3/8-16 TL HEX Z	1441	-DECAL - FLOOR PAN SCUFF
5246	FUEL CAP	9085	NUT 3/8-16 TL HEX Z	1464	TIE ROD ASM
5276	BATTERY U1L2	9091	WASHER FLAT 3/8 SAE N	2651	FUEL HOSE-.25 ID BULK
5321	BATTERY HOLD DOWN U1L2	9092	NUT 3/8-24 HEX JAM Z	3666	DECAL WARN-RACK LOAD
5544-2	SHOCK REINFORCEMENT	9105	NUT #10-24 HEX TL Z	5499-2	TRAIL ARM WDMT LH BLK
5582-2	TRAIL ARM WDMT RH	9106	BOLT #10-32 X .50 HHMS Z	6444	GREASE ZERK 3005
5607	FUEL LINE CLAMP	9116	PIN COTTER 3/32 X .750 Z	6802-2	REAR RACK WDMT - GBLK
5839	BOLT 1/4-20 X .750 HH WF Z	9124	BOLT SHLDR 3/8 X 1.750 Z	6836	TIE ROD ASM LONG
5839	BOLT 1/4-20 X .750 HH WF Z	9134	BOLT 1/2-13X3.25 HHCS G5 Z	8227	NUT 1/4-20 CLIP
5953	BOLT 10-24 X .750 HEX Z	9145	BOLT 3/8-16X1.75 HHCS G5 Z	8266	LOOP CLIP 1 INCH
6039	WASHER #10 IL Z	9146	BOLT 3/8-16X1.50 HHCS G5 Z	8445	FLAG SAFETY W/ BRKT
6046	BOLT #10-24 X .500 HHMS Z	9160	BOLT 1/4-20X.875 HHCS G5 Z	8795	TOOL BOX HOLDER
6123	KEY 1/4SQ X 1.750L	9162	NUT 3/4-10 HEX TL Z	8800	TOOL BOX
6193	NUT #10-32 HEX ACORN	9169	NUT 1/2-20 HEX JAM	8801	BOLT 1/4-20 X .750 FH
6293-16	PEDAL BRAKE ZINC PLTD	9172	BOLT SHLDR 3/8 X 1/4	8802	O RING 2.51DX2.875OD
6309-16	PEDAL THROTTLE ZINC PLTD	9174	E - RING	8807	FENDER FRT LT
6313	CHOKE CABLE	9176	BOLT 5/16-18X1.00 HHCS G5 Z	8808	FENDER FRT RT
6314	ROTOR	9178	BOLT 1/2-13X4.25 HHCS G5 Z	8809	FENDER RR LT
6344	KEY SWITCH	9185	BOLT 1/2-13X2.75 HHCS G5 Z	8810	FENDER RR RT
6440	NUT 5/16-18 JAM	9186	BOLT 5/16-18X1.50 HHCS G5 Z	8869	DECAL FENDER 612
6441	WASHER 3/8 SPRING	9188	BOLT 1/2-13 X 1.50 HHCS G5 Z	9006	BOLT 1/4-20X.50 HH WF
6442	BRAKE HANDLE COVER	9188	BOLT 1/2-13 X 1.50 HHCS G5 Z	9929	RUBBER CAP .25IDX.25 BLK
6508	TAIL LIGHT ASS Y	9198	BUSHING #22 1.750ID X .125		
6617	BRG FLNG-HEAVY YELLOW	9199	BOLT 3/4-16X3.00 HHCS G5		

NON ILLUSTRATED PARTS

1441	DECAL FLOOR PAN SCUFF
10122-2Z	SPINDLE LH LG - W/ ZERK
10196	BRAKE PAD KIT
10274	SPOUT ADAPTER & TUBE
11329	DECALS - WARNINGS (SMALL)
11330	DECALS - WARNINGS (LARGE)
1441	-DECAL - FLOOR PAN SCUFF
1464	TIE ROD ASM
2651	FUEL HOSE-.25 ID BULK
3666	DECAL WARN-RACK LOAD
5499-2	TRAIL ARM WDMT LH BLK
6444	GREASE ZERK 3005
6802-2	REAR RACK WDMT - GBLK
6836	TIE ROD ASM LONG
8227	NUT 1/4-20 CLIP
8266	LOOP CLIP 1 INCH
8445	FLAG SAFETY W/ BRKT
8795	TOOL BOX HOLDER
8800	TOOL BOX
8801	BOLT 1/4-20 X .750 FH
8802	O RING 2.51DX2.875OD
8807	FENDER FRT LT
8808	FENDER FRT RT
8809	FENDER RR LT
8810	FENDER RR RT
8869	DECAL FENDER 612
9006	BOLT 1/4-20X.50 HH WF
9929	RUBBER CAP .25IDX.25 BLK

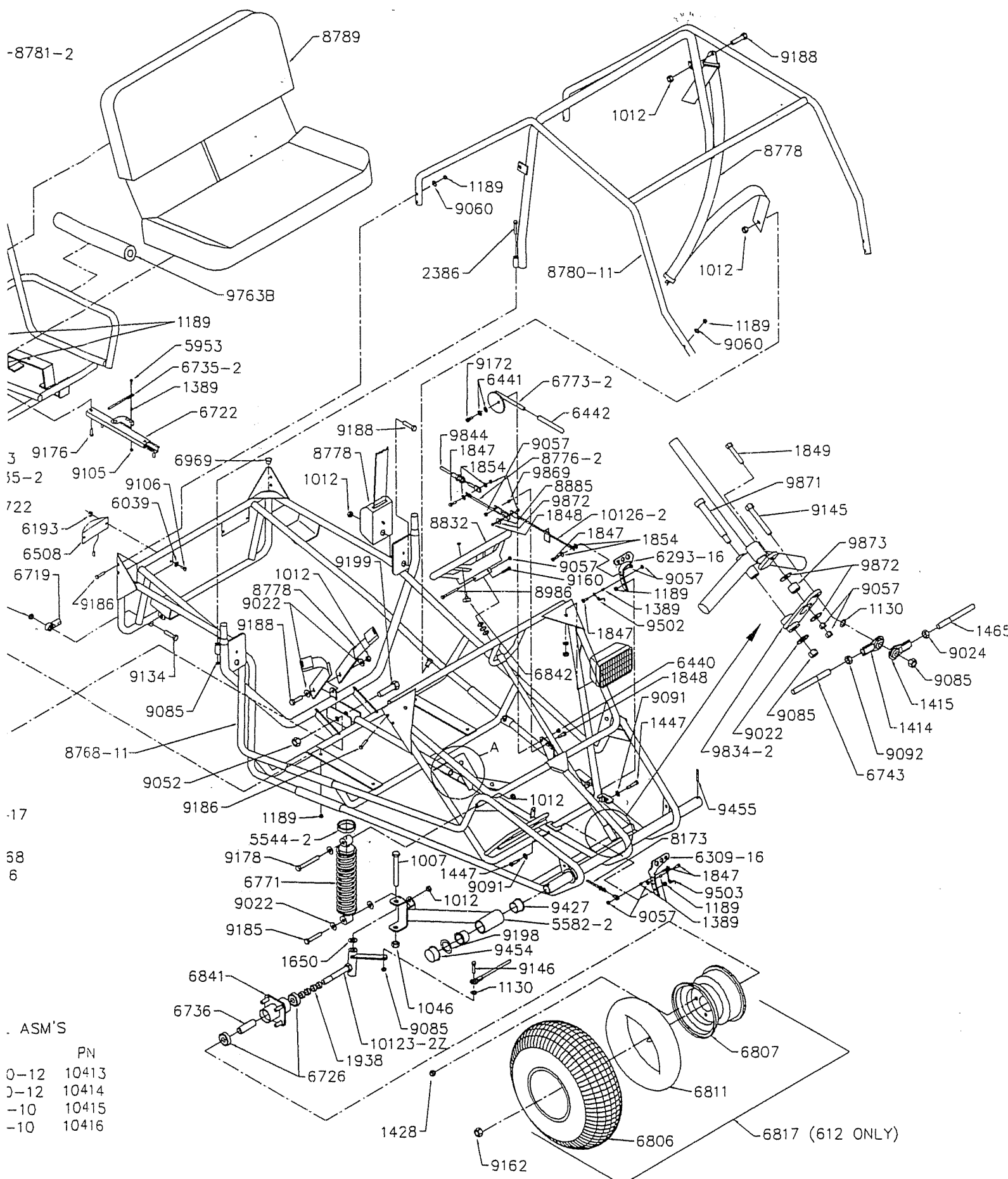


■ Thrust Washer Kit
 ◆ Not Serviced Separate from Item No. 1



18 HP WHEEL ASM'S

- DESCRIPTION
- RR WHEEL ASM 25X10-12
 - LR WHEEL ASM 25X10-12
 - RF WHEEL ASM 22X7-10
 - LF WHEEL ASM 22X7-10



-8781-2

1189
5953
6735-2
1389
6722

3 9176
55-2 9105
722 9106
6193 6039
6508
6719

-17
58
6
9186
1189
5544-2
9178
6771
9022
9185

ASM'S

	PN
0-12	10413
3-12	10414
-10	10415
-10	10416

6736
6841
1650
1046
10123-2Z
1938
6726

9172
6441
6773-2
6442

9844
1847
1854
9057
8776-2
9869
8885
9872
1848
10126-2
1847
8832
9057
9160
8986
1847
9502

6842
6440
1848
9091
1447
1012
1007
1447
9091
1012
9427
5582-2
9057
9198
9454
9146
1130

1849
9871
9145
9873
9872
9057
1130
1465
9024
9085
1415
1414
9092
6743
9834-2

9455
8173
6309-16
1847
9503
1189
1389
6807
6811
6806
6817 (612 ONLY)
9162

1428