

Operator's Manual SUPPLEMENT

MANCO MODEL NO.

485-13

WARNING:
Read Engine
Owner's Manual,
Vehicle Operator's
Manual, and
Supplement
Carefully Before
Operating
Vehicle.

Parts List



MANCO
PRODUCTS, INC.

4404 Engle Ridge Drive Ft. Wayne, Indiana 46804 219-432-1596

**THIS VEHICLE IS FOR
OFF-ROAD USE ONLY**

BEFORE OPERATING THIS VEHICLE, THE OWNER AND/OR OPERATOR MUST UNDERSTAND THE VEHICLE WAS NOT DESIGNED OR MANUFACTURED TO MEET SPECIFICATIONS FOR USE ON PUBLIC ROADS, STREETS, HIGHWAYS, OR THOROUGHFARES AND HAVE READ AND HAVE AN UNDERSTANDING OF ALL THE INSTRUCTIONS FOR SAFE ASSEMBLY AND OPERATION AS WELL AS THE INSTRUCTIONS GOVERNING THE ENGINE AND OTHER PORTIONS OF THE VEHICLE.

REPAIR PARTS - MODEL 485-13

REF NO.	PART NO.	DESCRIPTION	REF NO.	PART NO.	DESCRIPTION
1	8175-2	Frame	48	9503	Spring, Right Wound
ASM	4358	Tie Rod Asm. Short (incl. 2-6)	49	1849	Bolt, 1/4-20 x 1-1/2"
ASM	9322	Tie Rod Asm. Long (incl. 2-5,7)	50	1389	Bushing, 1/4"ID x 5/16"
2	1414	Tie Rod End, RH Thread	51	9110	Bolt, 5/16-18 x 1-1/2"
3	9092	Nut, 3/8-24 Jam RH	52	9091	Washer, 3/8" Flat
4	1415	Tie Rod End, LH Thread	53	1982	Pedal Latch
5	9024	Nut, 3/8-24 Jam LH	54	9599-2	Brake Rod
6	4356	Tie Rod, Short	ASM	9598	Brake Caliper (incl. 55-65)
7	9321	Tie Rod, Long	ASM	9810	Brake Pad Service Kit (incl. 55-57)
8	9146	Bolt, 3/8-16 x 1-1/2"	55	*	Anvil w/Lining
NI	8020	Spindle, LH	56	*	Brake Lining
9	8021	Spindle, RH	57	3928	Backing Plate
10	1264	Bolt, 1/2-13 x 3-1/2"	58	3930	Actuator Pin
11	1012	Nut, 1/2-13 Toplock	59	3931	Adjuster Pin
12	1937	Spacer, 5/8"ID x 1/4"	60	3932	Nut, Jam
13	1046	Nut, 5/8-11 Toplock	61	9158	Bolt, 3/8-16 x 2-1/4"
ASM	4930	Wheel Asm, Front (incl. 14-20)	62	9085	Nut, 3/8-16 Toplock
14	1093	Bearing, 5/8" ID	ASM	6534	MB-1 Service Kit (incl. 63-65)
15	8004	Wheel Half, 5" Aluminum	63	*	Groove Pin
16	5949	Spanner, 5/8"ID x 1-13/16"	64	*	Lever
17	1186	Nut, 1/4-20 Whiz	65	*	Brake Housing
18	5839	Bolt, 1/4-20 x 3/4" Whiz Flange	66	6038	Steering Wheel
19	2246	Tire, 4.10 x 3.50 x 5" Knobby	ASM	9799	Stop Switch Asm (incl. 67-69)
20	1753	Tube, 5"	67	1392	Switch, Toggle
ASM	4924P	Wheel Asm, Rear (incl. 21-25,134,141)	68	1393	Ring Terminal
21	4925	Wheel Half, 6" Outer w/ Valve Hole	69	1394	Wire, 50" w/ Splice Connector
22	4926	Wheel Half, 6" Inner w/o Valve Hole	70	9080	Bolt, 1/4-20 x 2-3/4"
23	4927	Hub, 6"	71	9160	Bolt, 1/4-20 x 7/8"
24	3801s	Tire, 15 x 6 x 6" Turf Saver	72	1406	Wiring Harness
25	3802	Tube, 6"	73	1463	Bushing, Insulating
26	6123	Key, 1/4 sq. x 1-3/4"	74	6010	Engine, 5hp
27	9323	Axle Shaft	ASM	5957	Pulley, Driver (incl. 75-80)
ASM	6420	Sprocket Asm (incl. 28-31)	75	*	Drum
28	6282	Sprocket, 420P 54T	76	*	Hub
29	6280	Sprocket Hub	77	*	Shoe Assembly
30	6701	Bolt, 5/16-18 x 1"	78	*	Moveable Sheave
31	1876	Bolt, 1/4-20 x 5/8"	79	200349	Bushing
32	9511	Brake Disc, 6"	80	*	Stationary Sheave
33	4913	Spacer, 1"ID x 3"	ASM	5958	Pulley, Driven (incl. 81-87)
34	1448	Spacer, 1"ID x 3-9/16"	81	*	Stationary Sheave
35	9680	Key, 1/4 x 3/8 x 1-1/4"	82	*	Bushing
36	3941	Bearing	83	*	Moveable Sheave
37	1760	Bearing Flange	84	6804	Button, Nylon
38	1194	Washer, 3/4" Flat	85	6805	Spring
39	9162	Nut, 3/4-10 Toplock	86	*	Cam
40	2264	Bolt, 5/16-18 x 3/4"	87	2477	Retaining Ring
41	1775	Key, 1/4sq. x 1-1/4"	88	5959	Belt
42	1437	Pedal, Throttle	89	9030	Washer, 5/16 Interlock
43	9502	Spring, Left Wound	90	1356	Stud
44	1847	Bolt, 1/4-20 x 1"	91	1136	Nut, 5/8-16 Toplock
45	1496	Cable, Throttle (incl. 46)	92	1494	Mounting Bracket
46	9058	Nut, 5/16-24 Jam	93	9101	Bolt, 5/16-24 x 1/2" Nylock
47	1436	Pedal, Brake	94	1454	Bolt, 5/16-24 x 1-3/4"

REPAIR PARTS - MODEL 485-13

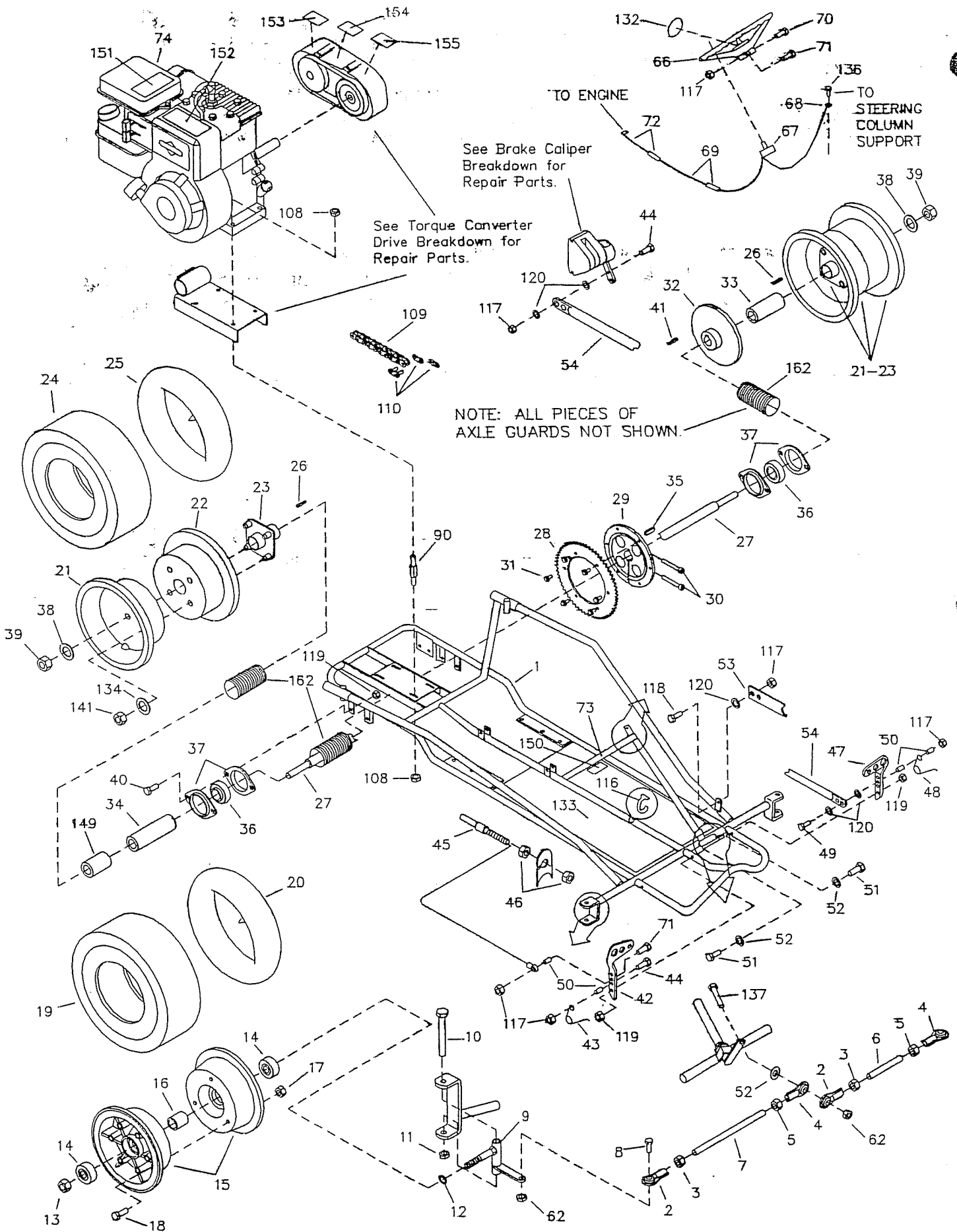
REF NO.	PART NO.	DESCRIPTION	REF NO.	PART NO.	DESCRIPTION
95	1124	Washer, 5/16" Split Lock	133	4341	Decal, Floor Pan Set
96	1398	Washer, 21/64" ID x 1-1/4"	134	1130	Washer, 3/8" Split Lock
97	1938	Spacer, 3/4ID x 3/8"	135	9006	Bolt, 1/4-20 x 1/2" Whiz Flange
98	1110	Chassis, Torque Converter	136	9796	Screw, Self-Tapping
99	1116	Spanner, 5/8ID x 4-13/16"	137	9145	Bolt, 3/8-16 x 1-3/4"
100	5090	Bearing, 5/8ID	138	9118	Clevis Pin
101	1118	Jackshaft	139	9116	Cotter Pin
102	1031	Key, 3/16 sq. x 1/2"	140	4372	Handhold Strap
103	1469	Washer, 5/8ID x 1"OD	141	2388	Nut, 3/8-24
104	1937	Spacer, 5/8ID x 1/4"	142	9800	Arm Pad Cover
105	1119	Spacer, 5/8ID x 1/8"	ASM	9798**	Foam Replacement Kit (incl. 143-147)
106	3403	Key, 3/16 sq. x 2"	143	9758**	Foam, 43"
107	1125s	Sprocket, #420 9T	144	9759**	Foam, 30"
108	1263	Nut, 5/16-18 Whiz Flange	145	9760**	Foam, 22"
109	1524	Chain, #420 x 60P (incl. 110)	146	9761**	Foam, 21"
110	2037	Masterlink, #420	147	9762**	Foam, 20"
111	1542	Cover, Torque Converter	148	9776	Clamp, Foam Stop 3/4"
112	1537-2	Rear Mounting Bracket	149	2265	Spacer, 1"ID x 3/4"
113	2277	Bolt, 8-32 x 1/2"	150	8154	Decal, Age Restriction
114	2278	Nut, 8-32 Toplock	151	9677	Decal, Warning: Hot Surfaces
115	2279	Washer, #8 Flat	152	9678	Decal, Warning: Engine Exhaust
116	1019	Ty-Wrap	153	1049	Decal, Caution
117	9057	Nut, 1/4-20 Toplock	154	4912	Decal, Chainguard Warning
118	1846	Bolt, 1/4-20 x 3/4"	155	6626	Decal, Tire Pressure
119	1189	Nut, 5/16-18 Toplock	156	6540	Decal, Warning: Wear Helmet
120	1854	Washer, #14 Flat	157	8138	Decal, Warning: Entanglement
121	8134	Seat Back/Bottom	158	9679	Decal, Warning: No Riders Allowed
122	9968-2	Seat Frame	159	6734	Seat Slide Pair
123	9189	Bolt, 1/4-20 x 7/8"	160	9990	Carriage Bolt, 5/16-18 x .625, Rd. Head
124	9539-2	Front Bar	161	9989	Washer, Retaining
125	6452	Bolt, 3/8-16 x 5"	162	K485-13	Axle Guard Repair Kit
126	9546-2	Center Bar	NI	5964	Decal, Oil Warning
127	9549-2	Rear Upright	NI	2601	Engine Operator's Manual
128	6217	Headrest Pad	NI	4350	Operator's Manual
129	2386	Bolt, 3/8-16 x 3-1/2"	NI	9212R4	Assembly Instructions
130	9553-2	Rear Bar			
131	9680	Key, 1/4 x 3/8 x 1-1/4"			
132	3296	Decal, Steering Wheel			

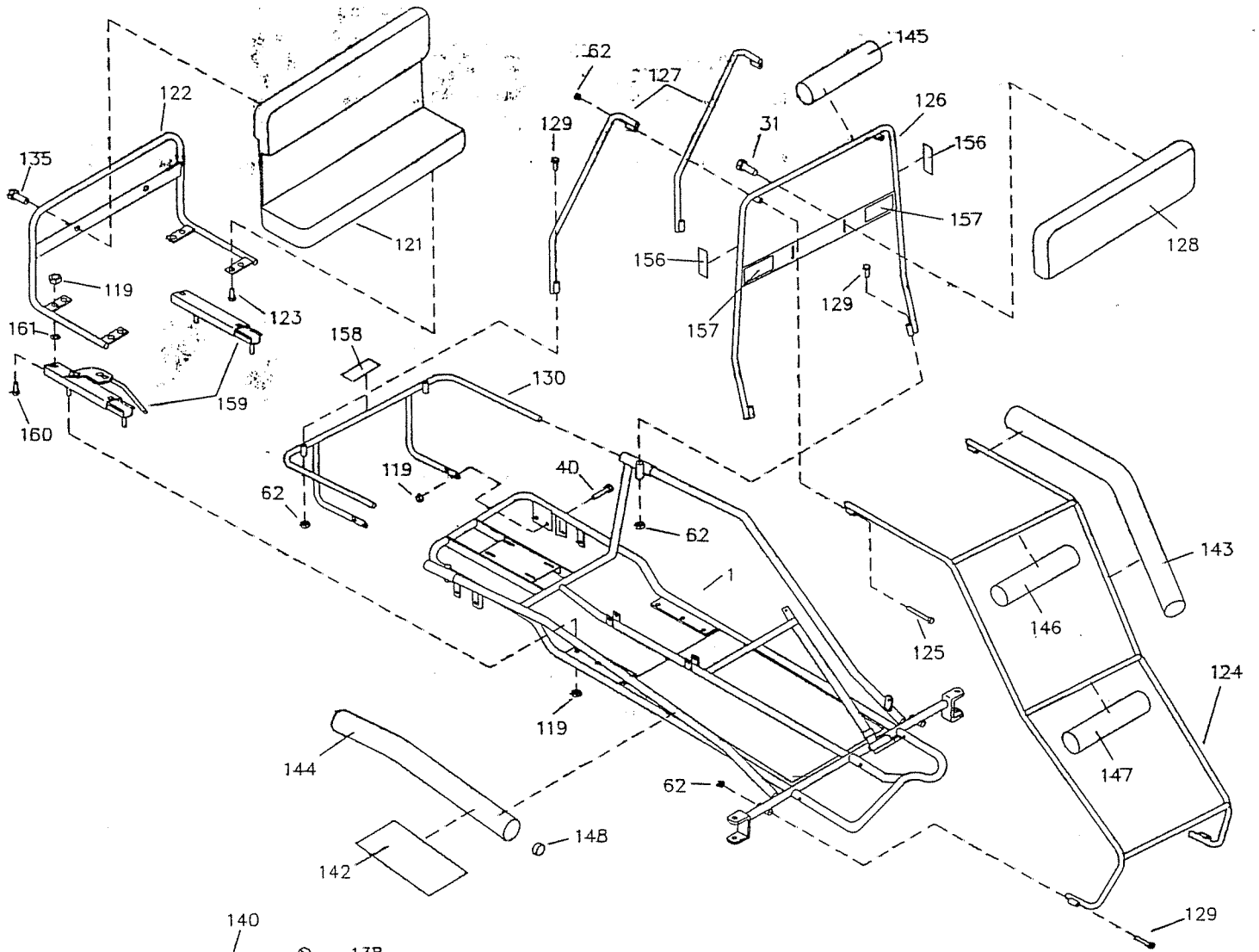
ASM = Assembly

NI = Not Illustrated

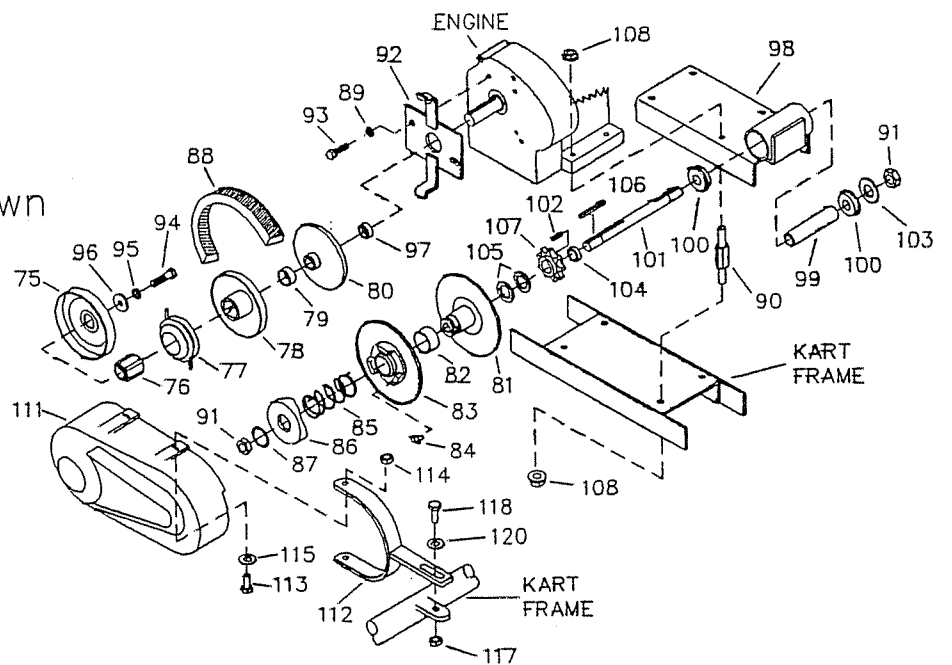
* = Not Sold Separately

** = Specify Black, Pink, White, Yellow





Torque Converter Drive Breakdown



Brake Caliper Breakdown

