

Operator's Manual SUPPLEMENT

MANCO MODEL NO.

445-241 446-252

445-25 446-352

WARNING:
Read Engine
Owner's Manual,
Vehicle Operator's
Manual, and
Supplement
Carefully Before
Operating
Vehicle.

Parts List



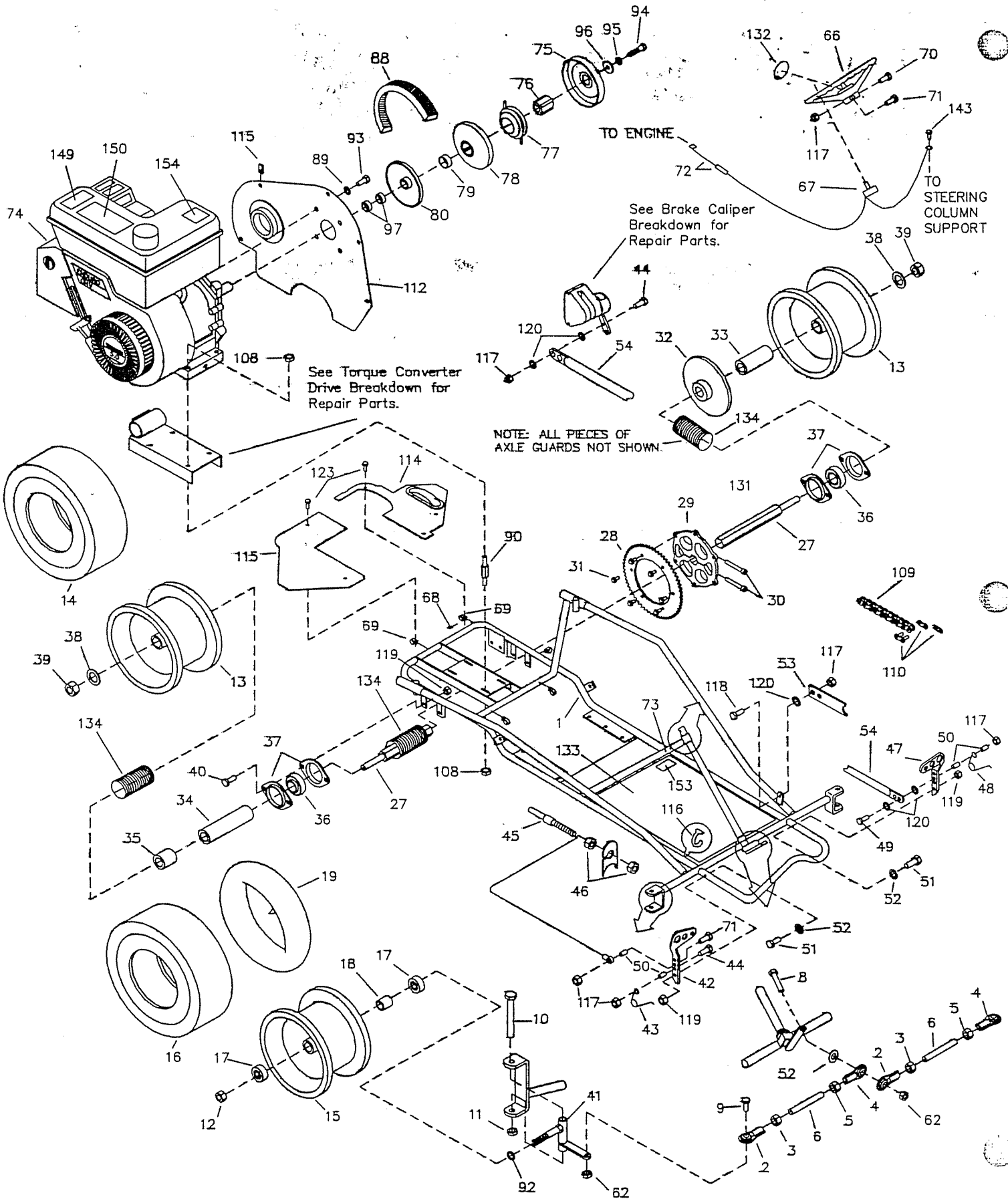
(Unit Pictured is 445-25)

MANCO **PRODUCTS, INC.**

4404 Engle Ridge Drive Ft. Wayne, Indiana 46804 219-432-1596

**THIS VEHICLE IS FOR
OFF-ROAD USE ONLY**

BEFORE OPERATING THIS VEHICLE, THE OWNER AND/OR OPERATOR MUST UNDERSTAND THE VEHICLE WAS NOT DESIGNED OR MANUFACTURED TO MEET SPECIFICATIONS FOR USE ON PUBLIC ROADS, STREETS, HIGHWAYS, OR THOROUGHFARES AND HAVE READ AND HAVE AN UNDERSTANDING OF ALL THE INSTRUCTIONS FOR SAFE ASSEMBLY AND OPERATION AS WELL AS THE INSTRUCTIONS GOVERNING THE ENGINE AND OTHER PORTIONS OF THE VEHICLE.



REPAIR PARTS

| REF. NO. | REF. NO. | DESCRIPTION | REF. NO. | REF. NO. | DESCRIPTION |
|------------|---------------|--------------------------------|------------|----------|-------------------------------------|
| 1 | 8176-2 | Frame, Black | 48 | 9503 | Spring, Right Wound |
| | 8176-7 | Frame, Green | 49 | 1849 | Bolt, 1/4-20 x 1-1/2" |
| | 8176-13 | Frame, Orange | 50 | 1389 | Bushing, 1/4 ID x 5/16" |
| ASM | 4355 | Tie Rod Asm. (incl. 2-6) | 51 | 9110 | Bolt, 5/16-18 x 1-1/2" |
| 2 | 1414 | Tie Rod End, RH Thread | 52 | 9091 | Washer, 3/8" Flat |
| 3 | 9092 | Nut, 3/8-24 Jam RH | 53 | 1982 | Pedal Latch |
| 4 | 1415 | Tie Rod End, LH Thread | 54 | 9599-2 | Brake Rod |
| 5 | 9024 | Nut, 3/8-24 Jam LH | ASM | 9598 | Brake Caliper (incl. 55-65) |
| 6 | 4352 | Tie Rod, Short | ASM | 9810 | Brake Pad Service Kit (incl. 55-57) |
| 7 | | | 55 | ** | Anvil w/Lining |
| B | 9145 | Bolt, 3/8-16 x 1-3/4" | 56 | ** | Brake Lining |
| 9 | 9146 | Bolt, 3/8-16 x 1-1/2" | 57 | 3928 | Backing Plate |
| 10 | 1264 | Bolt, 1/2-13 x 3-1/2" | 58 | 3930 | Actuator Pin |
| 11 | 1012 | Nut, 1/2-13 Toplock | 59 | 3931 | Adjuster Pin |
| 12 | 1046 | Nut, 5/8-11 Toplock | 60 | 3932 | Nut, Jam |
| 13 | 6289PH | Wheel Asm, Rear (incl. 14) | 61 | 9158 | Bolt, 3/8-16 x 2-1/4" |
| 14 | 9607 | Tire, 16 X 8 - 7" Knobby | 62 | 9085 | Nut, 3/8-16 Toplock |
| 15 | 9309FP | Wheel Asm, Front (incl. 16-18) | ASM | 6534 | MB-1 Service Kit (incl. 63-65) |
| 16 | 4915 | Tire, 145/70 x 6" Knobby | 63 | ** | Groove Pin |
| 17 | 5090 | Bearing, 5/8" ID w/ Snap Ring | 64 | ** | Lever |
| 18 | 5950 | Spanner, 5/8" ID x 2-1/8" | 65 | ** | Brake Housing |
| 19 | 3802 | Tube, 6" (Repair Part Only) | 66 | 6038 | Steering Wheel |
| 20 | | | ASM | 9799 | Stop Switch Assembly (incl. 67-69) |
| 21 | | | 67 | | |
| 22 | 9188 | Bolt, 1/2-13 x 1-1/4" | 68 | 8227 | Tinnerman Nut |
| 23 | 9022 | Washer, 1/2" Flat | 69 | 8266 | Loop Clip |
| 24 | 8373 | Seat Belt, Shoulder/Lap | 70 | 9080 | Bolt, 1/4-20 x 2-3/4" |
| 25 | 8445 | Safety Flag | 71 | 9160 | Bolt, 1/4-20 x 7/8" |
| 26 | | | 72 | 1406 | Wiring Harness |
| 27 | 9693H | Axle Shaft | 73 | 1463 | Bushing, Insulating |
| ASM | 9570H | Sprocket Asm. (incl. 28-31) | 74 | 9661C | Engine, 5hp Tec (445-241) |
| 28 | 9338 | Sprocket, 420P 60T | | 6010C | Engine, 5hp B&S (445-25) |
| 29 | 6280H | Sprocket Hub | | 9737 | Engine, 6hp Tec (446-252, -352) |
| 30 | 6701 | Bolt, 5/16-18 x 1" | ASM | 5957 | Pulley, Driver (incl. 75-80) |
| 31 | 9006 | Bolt, 1/4-20 x 1/2" | 75 | ** | Drum |
| 32 | 9511H | Brake Disc, 6" | 76 | ** | Hub |
| 33 | 4913 | Spacer, 1" ID x 3" | 77 | ** | Shoe Assembly |
| 34 | 1448 | Spacer, 1" ID x 3-9/16" | 78 | ** | Moveable Sheave |
| 35 | 2265 | Spacer, 1" ID x 3/4" | 79 | 200349 | Bushing |
| 36 | 3941H | Bearing | 80 | ** | Stationary Sheave |
| 37 | 1760 | Bearing Flange | ASM | 5958 | Pulley, Driven (incl. 81-87) |
| 38 | 1194 | Washer, 3/4" Flat | 81 | ** | Stationary Sheave |
| 39 | 9162 | Nut, 3/4-10 Toplock | 82 | ** | Bushing |
| 40 | 2264 | Bolt, 5/16-18 x 3/4" | 83 | ** | Moveable Sheave |
| 41 | 6257 | Spindle, RH | 84 | 6804 | Button, Nylon |
| NI | 6256 | Spindle, LH | 85 | 6805 | Spring |
| 42 | 1437 | Pedal, Throttle | 86 | ** | Cam |
| 43 | 9502 | Spring, Left Wound | 87 | 2477 | Retaining Ring |
| 44 | 1847 | Bolt, 1/4-20 x 1" | 88 | 5959 | Belt |
| 45 | 8252 | Cable, Throttle (incl. 46) | 89 | 9060 | Washer, 5/16 Flat |
| 46 | 9058 | Nut, 5/16-24 Jam | 90 | 1356 | Stud |
| 47 | 1436 | Pedal, Brake | 91 | 1136 | Nut, 5/8-16 Toplock |

ING
AN
DRT

117
48

REPAIR PARTS

| REF. NO. | REF. NO. | DESCRIPTION | REF. NO. | REF. NO. | DESCRIPTION |
|----------|----------|-------------------------------------|----------|----------|---------------------------------------|
| 92 | 5157 | Spacer, 5/8 ID x 3/4" | 133 | 5576 | Decal, Pan (445-241) |
| 93 | 9101 | Bolt, 5/16-24 x 1/2" Nylock | | 6596 | Decal, Pan (445-25, 446-252) |
| 94 | 1454 | Bolt, 5/16-24 x 1-3/4" | | 10136 | Decal, Pan (446-352) |
| 95 | 1124 | Washer, 5/16" Split Lock | 134 | K445-241 | Axle Guard Repair Kit |
| 96 | 1398 | Washer, 21/64" ID x 1-1/4" | 135 | 5579 | Arm Pad Cover (445-241) |
| 97 | 1938 | Spacer, 3/4 ID x 3/8" | | 9778 | Arm Pad Cover (445-25, 446-252) |
| 98 | 1110 | Chassis, Torque Converter | | 10138 | Arm Pad Cover (446-352) |
| 99 | 1116 | Spanner, 5/8 ID x 4-13/16" | 136 | 2388 | Nut, 3/8-24 |
| 100 | 5090 | Bearing, 5/8 ID | ASM | 9798* | Replacement Foam Kit (incl. 137- 141) |
| 101 | 1118 | Jackshaft | 137 | 9759* | Foam, Side Bar, 30" |
| 102 | 1031 | Key, 3/16 sq. x 1/2" | 138 | 9758* | Foam, Front Bar, 43" |
| 103 | 1469 | Washer, 5/8 ID x 1" OD | 139 | 9763* | Foam, Top Center, 16" |
| 104 | 1937 | Spacer, 5/8 ID x 1/4" | 140 | 9764* | Foam, Middle Center, 15" |
| 105 | 1119 | Spacer, 5/8 ID x 1/8" | 141 | 9765* | Foam, Bottom Center, 14" |
| 106 | 3403 | Key, 3/16 sq. x 2" | 142 | 9776 | Clamp, Foam Stop 3/4" |
| 107 | 1125s | Sprocket, #420, 9T | 143 | 9796 | Screw, 12-24 x 1/2" Self Tapping |
| 108 | 1263 | Nut, 5/16-18 Whiz Flange | 144 | 1130 | Washer, 3/8 Split Lock |
| 109 | 9515 | Chain, #420 x 64P (incl. 110) | 145 | 6540 | Decal, Helmet Warning |
| 110 | 2037 | Masterlink, #420 | 146 | 1049 | Decal, Caution |
| 111 | 8187 | Cover, Torque Converter | 147 | 4912 | Decal, Chain Guard Warning |
| NI | 6594 | Decal, TAV Cover (445-25, 446-252) | 148 | 9610 | Decal, Tire Pressure |
| | 10137 | Decal, TAV Cover (446-352) | 149 | 9677 | Decal, Warning: Hot Surfaces |
| 112 | 8188 | Cover Plate (incl. 113) | 150 | 9678 | Decal, Warning: Engine Exhaust |
| 113 | 2449 | Tinnerman Nut | 151 | 9679 | Decal, No Riders Allowed |
| 114 | 8240 | Left Deck Cover Asm | 152 | 8138 | Decal, Warning: Entanglement |
| 115 | 8230 | Right Deck Cover | 153 | 8154 | Decal, Age Restriction |
| 116 | 1019 | Ty-Wrap | 154 | 5964 | Decal, Oil Warning |
| 117 | 9057 | Nut, 1/4-20 Toplock | 155 | 8132 | Seat Frame Riser |
| 118 | 1846 | Bolt, 1/4-20 x 3/4" | | 8142 | Seat Slides (optional) |
| 119 | 1189 | Nut, 5/16-18 Toplock | NI | 2601 | B&S Engine Operator's Manual |
| 120 | 1854 | Washer, #14 Flat | | 2684D | Tec Engine Operator's Manual |
| 121 | 4324 | Seat Pad (445-241) | NI | 4350 | Operator's Manual |
| | 6584 | Seat Pad (445-25, 446-252) | NI | 9212R4 | Assembly Instructions |
| | 10133 | Seat Pad (446-352) | | | |
| 122 | 9973-2 | Seat Frame | | | |
| 123 | 1876 | Bolt, 1/4-20 x 5/8" | | | |
| 124 | 9540-2 | Front Bar | | | |
| 125 | 6452 | Bolt, 3/8-16 x 5" | | | |
| 126 | 9547-2 | Center Bar | | | |
| 127 | 9549-2 | Rear Upright | | | |
| 128 | 5577 | Headrest Pad (445-241) | | | |
| | 6585 | Headrest Pad (445-25, 446-252) | | | |
| | 10132 | Headrest Pad (446-352) | | | |
| 129 | 2386 | Bolt, 3/8-16 x 3-1/2" | | | |
| 130 | 9554-2 | Rear Bar, Black | | | |
| | 9554-7 | Rear Bar, Green | | | |
| | 9554-13 | Rear Bar, Orange | | | |
| 131 | 9799 | Top Pad Cover (445-25, 446-252) | | | |
| | 10139 | Top Pad Cover (446-352) | | | |
| 132 | 6592 | Decal, Strg Wheel (485-25, 486-252) | | | |
| | 10135 | Decal, Strg Wheel (486-352) | | | |

ASM = Assembly

NI = Not Illustrated

* = Specify Black, Pink, White, or Yellow

** = Not Sold Separately