

# Operator's Manual SUPPLEMENT

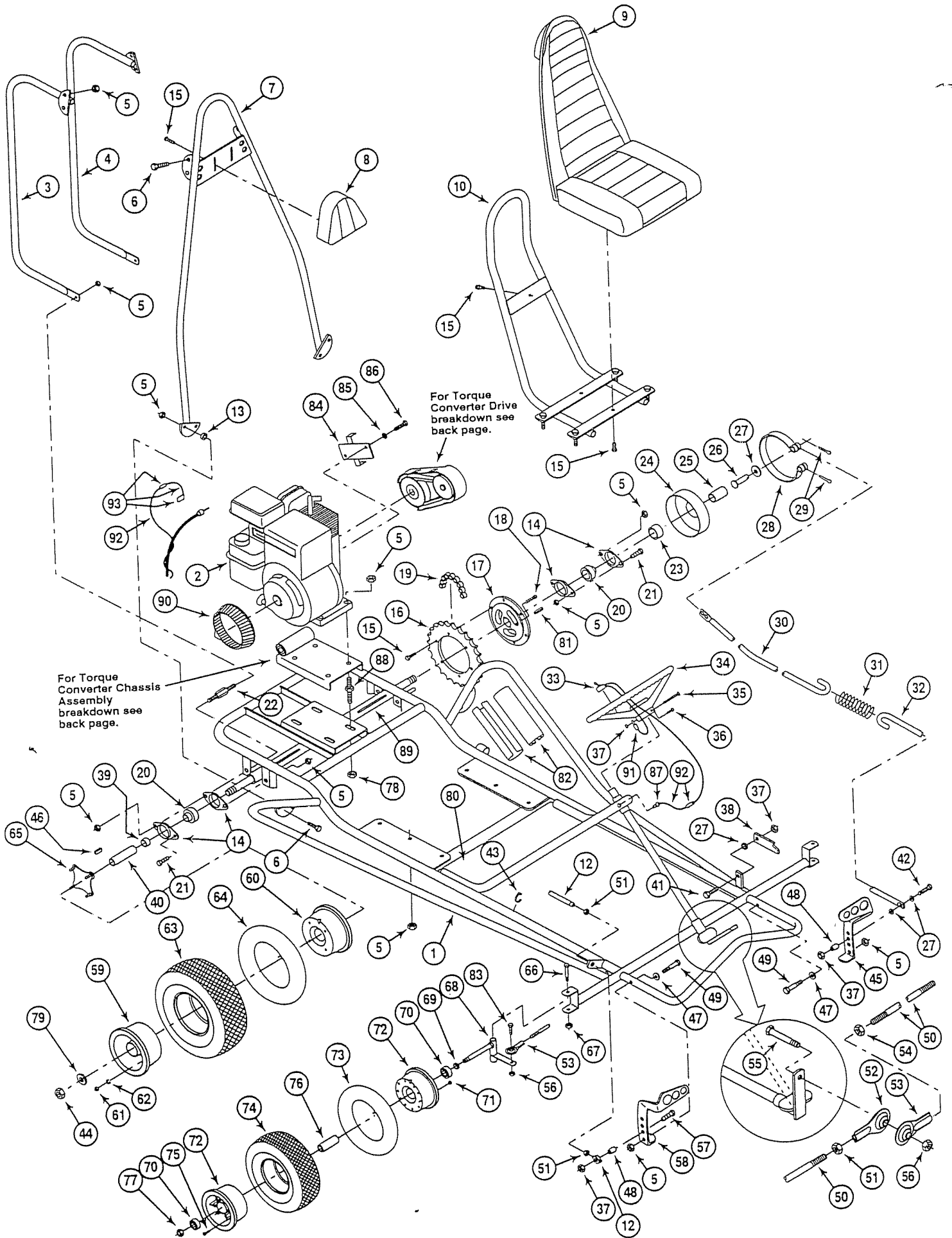
MANCO MODEL NO.  
445



**MANCO**  
**PRODUCTS, INC.**

4404 Engle Ridge Drive Ft. Wayne, Indiana 46804 219-432-1596

PART NO. 4350S25



# REPAIR PARTS

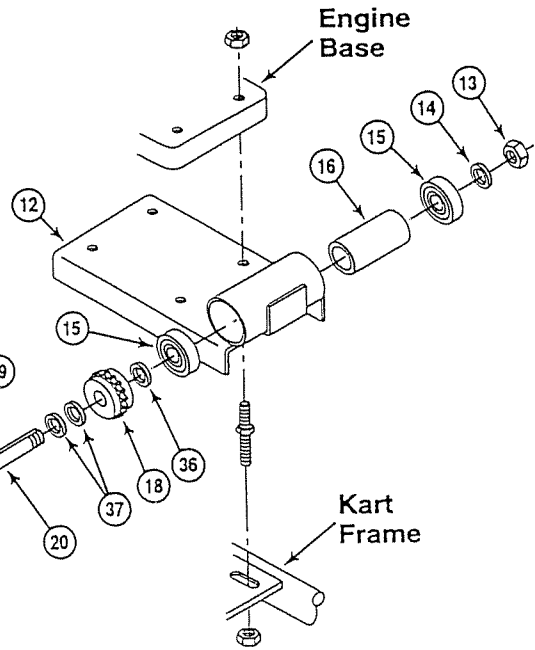
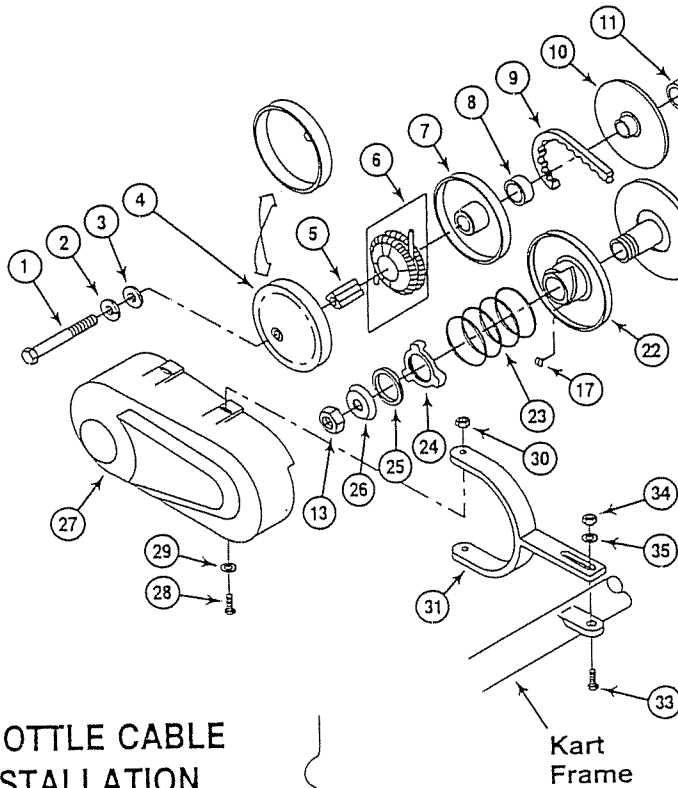
## Model 445

REF. NO.	PART NO.	DESCRIPTION	REF. NO.	PART NO.	DESCRIPTION
1	6273-2	Frame Assembly	50	4352	Tie Rod
2	6010	Engine	51	9092	3/8-24 Hex Jam Nut
3	6321-2	Rear Bar Weldment, Right	52	1414	Rod End, R.H.
4	6322-2	Rear Bar Weldment, Left	53	1415	Rod End, L.H.
5	1189	5/16-18 Locknut	54	9024	3/8-24 Lt Hand Hex Jam Nut
6	2264	5/16-18 x 3/4 Bolt	55	9158	3/8-16 x 2-1/4 Hex Cap Screw
7	6325-2	Center Bar Weldment	56	9085	3/8-16 Toplock Hex Nut
8	6320	Headrest	57	1846	1/4-20 x 3/4 Hex Cap Screw
9	4324	Seat	58	8011	Throttle Pedal
10	3347-2	Seat Frame	ASM	4924P	Wheel Assembly, 6" (Includes Items 59, 60, 61, 62, 63, 64, and 65)
11			59	4925	Wheel Half 6" Steel (w/Valve)
12	1390	Throttle Cable	60	4926	Wheel Half 6" Steel (w/o Valve)
NI	1628	Throttle Cable Retainer (See Back Page)	61	2388	3/8-24 Hex Nut
13	6232	Rubber Washer	62	1130	3/8 Split Lock washer
14	1760	Bearing Flange	63	3801S	Tire 15 x 6-6 Turf Saver
ASM	2999	Sprocket Assembly (Includes Items 15, 16, 17 & 18)	64	3802	Inner Tube 6" JS87N Stem
15	1876	1/4-20 x 5/8 Whiz Flange	65	4927	6" Live Axle Hub
16	2998	Sprocket	66	1264	1/2-13 x 3-1/2 Hex Cap Screw
17	6280	Appco Sprocket Hub	67	1012	1/2-13 Hex Toplock Nut
18	6281	5/16-18 x 1-3/4 SHCS	68	8021	Spindle R.H.
19	1324	Chain 35 x 78 w/Masterlink	NI	8020	Spindle L.H.
20	3941	Bearing Precision/Seal	69	1937	Spacer 5/8 I.D. x 1/4 Long
21	2264	5/16-18 3/4 Hex Hd Cap Screw	ASM	4930	Wheel Asm 5" Knobby (Includes Items 70, 71, 72, 73, 74, 75 and 76)
22	6216	Stud Sub-Asm	70	1093	Bearing
23	4914	Spacer, 1.0 I.D. x 7/16	71	1186	1/4-20 Hex Whizlock Nut
24	1078	Brake Drum Weldment	72	8004	Wheel Half 5" Untrapped
25	5646	Spacer, 1.0 I.D. x 2-1/4 Lt	73	1753	Inner Tube 4.1-3.5 x 5"
26	9118	1/4 Dia. x 1-1/4 Long Clevis Pin	74	2246	Tire 4.10 x 3.5 x 5 Stud
27	1854	1/4 Std. Flat Washer	75	5839	1/4-20 x 3/4 HH Flange Whiz
28	1492	Brake Band Weldment	76	5949	Spanner 5/8 I.D. x 1-13/16 Long
29	9116	3/32 x 3/4 Cotterpin	77	1046	5/8-11 Hex Locknut
30	4944-2	Brake Rod Rear	78	1263	5/16-18 Hex Fl. Whizlock Nut
31	5681	Compression Spring	79	1194	3/4 SAE Flat Washer
32	2377	Brake Rod	80	4342	Pan Decal
33	1392	Toggle Switch	81	1775	1/4 Sq. x 1-1/4 Long Key
34	6038	Steering Wheel	82	6126	Arm Pad
35	9080	1/4-20 x 2-3/4 Hex Cap Screw	83	9146	3/8-16 x 1-1/2 Hex Hd Cap Screw
36	9160	1/4-20 x 7/8 Hex Cap Screw W/Nylock	84	1494	Mtg. Bracket
37	9057	1/4-20 Hex Toplock Nut	85	9030	5/16 Interlock Washer
38	1982	Pedal Latch	86	9101	5/16-24 x 1/2 Hex Hd Cap Screw
39	1082	Spacer 1.0 I.D. x 7/16" Long	87	1463	Insulating Bushing
40	1448	Spacer 1.0 I.D. x 3-9/16" Long	88	1356	Stud Assembly
41	1845	1/4-20 x 5/8 Hex Cap Screw	89	6274	Axle Weldment Asm
42	1848	1/4-20 x 1-1/4 Hex Cap Screw	90	6238	5HP Finger Guard
43	1019	Tywrap	91	1393	Ring Terminal
44	9052	3/4-16 Toplock Hex Nut	92	1394	Wire 50"
45	8009	Brake Pedal	93	1406	Wiring Harness
46	6123	1/4 x 1/4 x 1-3/4 Key			
47	9091	3/8 Flat Washer			
48	1389	Bushing			
49	9110	3/8 Shoulder Bolt			
ASM	4355	Tie Rod Asm (Includes Items 50, 51, 52, 53 and 54)			

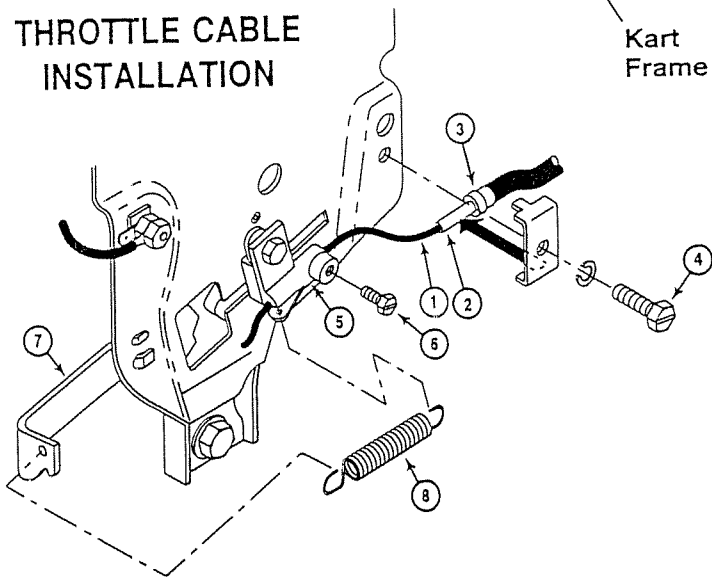
NI - NOT ILLUSTRATED  
ASM - ASSEMBLY COMPLETE

# REPAIR PARTS MODEL 445

## TORQUE CONVERTER DRIVE



## THROTTLE CABLE INSTALLATION



**ASSEMBLY:** Pass the Throttle Cable (Item 1) through the 1628 Cable Retainer (Item 2) and butt the Throttle Cable Housing End (Item 3) against the Inside Shoulder of the 1628 Cable Retainer (Item 2). The 1628 Cable Retainer (Item 2) is to be securely fastened to the engine with the Clamping Screw (Item 4). Pass the Wire End of the Throttle Cable Housing (Item 1) through the hole in the 5928 Cable Stop (Item 5). Before tightening 5929 Cable Stop Screw (Item 6):

1. Ensure 5926 Spring Anchor (Item 7), 5927 Spring (Item 8) and Throttle Cable are installed as illustrated above.
2. Ensure throttle pedal is in rearward (idle) position.
3. Ensure that there is no slack in the Throttle Cable Wire End (Item 1) with no tension applied to the spring (Item 8).
4. Ensure Throttle Cable Housing End (Item 3) is inside and against the 1628 Cable Retainer (Item 2).

REF. NO.	PART NO.	DESCRIPTION
1	1454	5/16-24 x 1-3/4 Hex Cap Screw
2	1124	5/16 Lockwasher
3	1398	21/64 Flat Washer
4		Driver Drum
5		Driver Hub
6		Drive Shoe Asm
7		Moveable Sheave - Driver
8	200349	Bushing
9	5959	Belt
10		Stationary Sheave - Driver
11	1938	Spacer
12	1110	Chassis
13	1136	5/8-18 UTA Locknut
14	1469	5/8 I.D. Washer
15	5090	Bearing
16	1116	Bearing Spanner
17	2516	Nylon Button - Cam - Heavy Duty
18	3504	Sprocket - 12 Tooth - 3/8" Pitch
19	3403	3/16 Square x 2
20	1118	Jackshaft
21		Stationary Sheave
22		Moveable Sheave With Cam
23	204114	Spring
24		Cam
25	2477	Retaining Ring
26	204489	Cup Washer
27	1542	Cover
28	2277	#8-32 x 1/2 Hex Head Screw
29	2279	#8 Flat Washer
30	2278	#8-32 UTA Locknut
31	1537	Mounting Bracket
33	1846	1/4-20 x 3/4 Hex Head Screw Gr 5
34	9057	1/4-20 UTA Locknut
35	1854	1/4 Flat Washer
36	1937	5/8 I.D. x 7/8 O.D. x 1/4 Spacer
37	1119	5/8 I.D. x 7/8 O.D. x 1/8 Spacer
ASM	5957	Driving Pulley Asm (Assembled to Crankshaft)(Items 4, 5, 6, 7, 8 & 10)
ASM	5958	Driven Pulley Asm (Assembled to Jackshaft)(Items 21, 22, 23, 24, 25, 26 & 17)