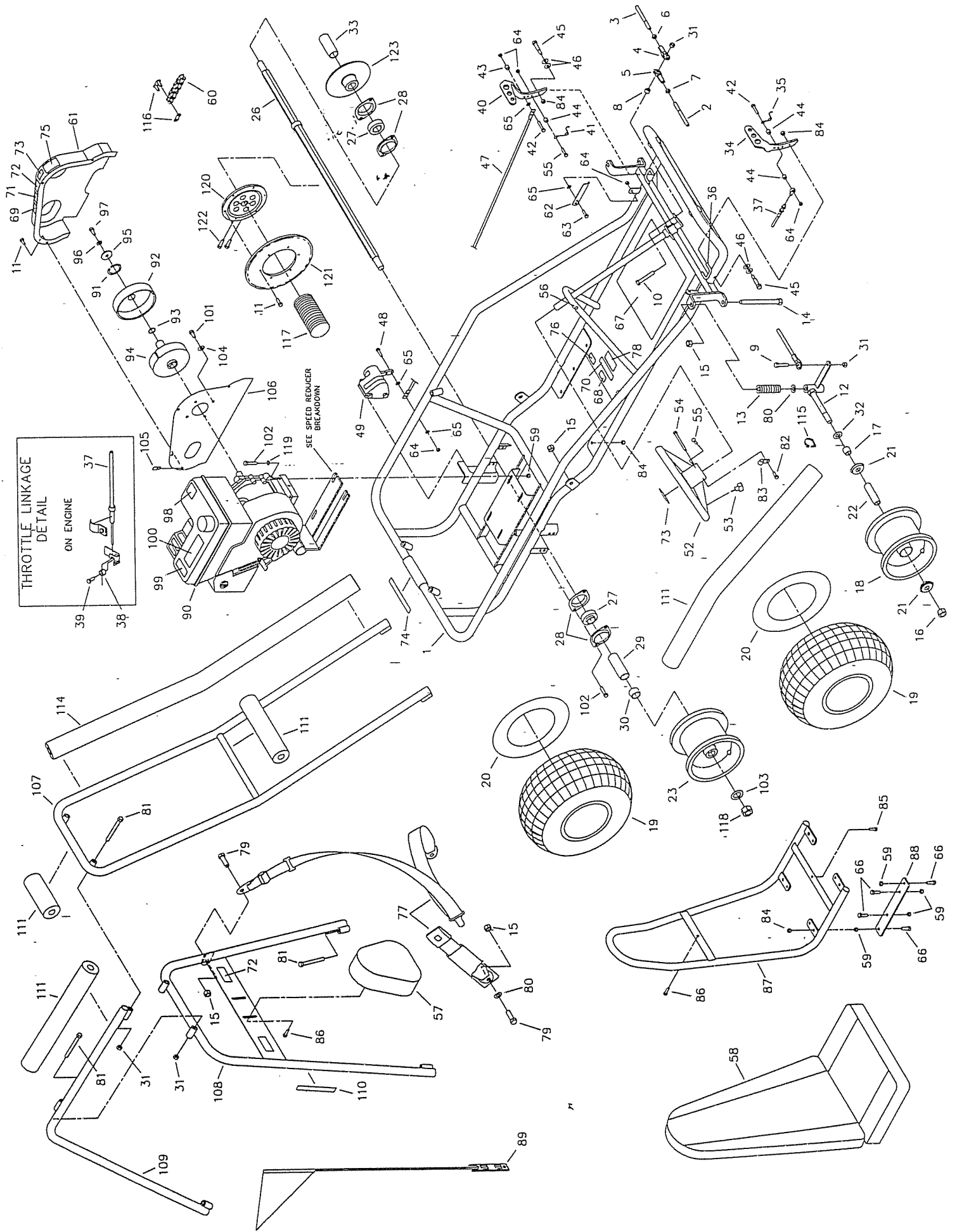


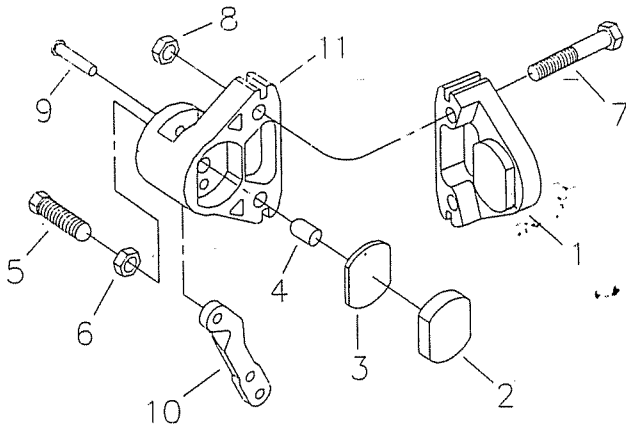
# REPAIR PARTS - MODEL 435-511

1	10526-13	FRAME WELDMENT, ORANGE	69	1049	DECAL CAUTION DRIVE COVER
ASM	10897	TIE ROD ASM (INCL. 2, 4-7)	70	8154	DECAL NO CHILD UNDER 12 YRS
2	10896	TIE ROD 10.25	71	4912	DECAL WARNING CHAINGUARD
3	---		72	8138	DECAL WARNING ENTANGLEMENT
4	1415	TIE ROD END LH THREAD	73	10148	DECAL ST WHEEL QUICKSILVER LX
5	1414	TIE ROD END RH THREAD	74	9679	DECAL NO RIDERS ALLOWED
6	9024	NUT, 3/8-24 JAM LH THREAD	75	9373	DECAL TIRE PRESS 3.6/3.6
7	9092	NUT, 3/8-24 JAM RH THREAD	76	5027	MANCO SERIAL NUMBER
8	9674	SPACER, 3/8 ID X 3/8 LONG	77	8373	SEAT BELT - SHOULDER/LAP
9	9146	BOLT, 3/8-16 X 1.50	78	8399	DECAL, WARNING SEAT BELT
10	9158	BOLT, 3/8-16 X 2.25	79	9188	BOLT, 1/2-13 X 1.50
11	9006	BOLT, 1/4-20 X .50 HEX FLANGED WHIZ	80	9022	WASHER, 1/2 FLAT
NI	10548	SPINDLE WELDMENT LEFT BLACK	81	2386	BOLT, 3/8-16 X 3.50
12	10549	SPINDLE WELDMENT RIGHT BLACK	NI	8746M	VIDEO TAPE SAFETY MANCO
13	9709	COMPRESSION SPRING	82	5287	BOLT #10-16 X .375 SELF TAPPING
14	5682	BOLT, 1/2-13 X 5.500	83	5288	WIRE CLAMP
15	1012	NUT, 1/2-13 TOPLOCK	84	1189	NUT, 5/16-18 HEX TOPLOCK
16	1046	NUT, 5/8-11 TOPLOCK	85	9189	BOLT, 1/4-20 X .875 HEX FLANGED WHIZ
17	1104	SPACER SPLIT .812OD .625ID 1.000L	86	1876	BOLT 1/4-20 X .625 HEX FLANGED WHIZ
18	9309FP	WHEEL ASSEMBLY, IDLE (INCL. 19-22)	87	9973-2	SEAT FRAME WELDMENT BLACK
19	4915	TIRE 145/70 X 6" KNOBBY	88	6983-2	SEAT RISER PLATE, BLACK
20	3802	INNER TUBE 6"	89	8445	FLAG SAFETY W/ BRKT 3FT
21	5090	BEARING, 5/8" I.D.	90	9661C	ENGINE 5HP TEC OHV
22	5950	SPANNER, 5/8" I.D. X 2-1/8"	ASM	4195C	CLUTCH .75 I.D. 420 X 10 TEETH (INCL. 91-94)
23	8749	WHEEL ASSEMBLY, 145/70 X 6 HEX BLACK	91	3141	RETAINING RING
24	---		92	9781	DRUM/SPROCKET/BUSHING ASSEMBLY
25	---		93	3146	FIBER WASHER
26	9693H	AXLE WELDMENT HEX 33-1/2"	94	4496	CLUTCH ROTOR (WEIGHT ASSEMBLY)
27	3941H	BEARING, SEALED SPHERICAL 7/8 HEX	95	1398	WASHER, 21/64 ID A 1-1/4 X 1/8
28	1760	BEARING FLANGE	96	1124	WASHER, 5/16 SPLIT LOCK
29	1448	SPACER, 1" I.D. X 3-9/16"	97	1491	BOLT, 5/16-24 X .750
30	2265	SPACER, 1" I.D. X 3/4"	98	5964	DECAL, SHIPPED W/O OIL
31	9085	NUT, 3/8-16 TOPLOCK HEX	99	9677	DECAL, WARNING HOT SURFACES
32	1119	SPACER .625ID 1.062OD .125THK Z	100	9678	DECAL, ENGINE EXHAUST
33	4913	SPACER, 1" I.D. X 3"	101	9101	BOLT, 5/16-24 X .500 W/ NYLOK
34	6309-16	PEDAL, THROTTLE TRIMMED	102	2264	BOLT, 5/16-18 X 3/4" LONG
35	9503	SPRING, PEDAL RIGHT WOUND	103	1194	WASHER, 3/4" SAE FLAT
36	9929	RUBBER CAP .25ID X .25 BLACK	104	9060	WASHER, 5/16 FLAT
37	8252	THROTTLE CABLE 61-INCH	105	8227	NUT, 1/4-20 TINNERMAN
38	2748	CABLE STOP-NUT	106	8682-2	PLATE, COVER 4XX BLACK
39	2666	SWIVEL SCREW	107	10536	OVERHEAD BAR WELDMENT BLACK
40	6293-16	PEDAL, BRAKE TRIMMED	108	10543	CENTER BAR WELDMENT BLACK
41	9502	SPRING, PEDAL LEFT WOUND	109	10541	REAR BAR WELDMENT BLACK
42	1848	BOLT, 1/4-20 X 1.25"	110	6540	DECAL, WARNING WEAR A HELMET
43	6349	BUSHING, 5/16 OD X 22G	111	10915	FOAM PACK, ORANGE
44	1389	BUSHING, 1/4 ID X .313	112	---	
45	1447	BOLT, 3/8 X 1-1/8 SHOULDER	113	---	
46	9091	WASHER, FLAT 3/8 SAE N	114	9758A	FOAM, 43.0 ORANGE
47	9599-2	BRAKE ROD BLACK	115	10493	PLASTIC HOSE CLAMP 1"
48	1847	BOLT, 1/4-20 X 1"	116	2037	MASTERLINK 420 CHAIN
49	9598	BRAKE CALIPER ASSEMBLY	117	K435	AXLE GUARD KIT
50	---		118	9162	NUT, 3/4" TOPLOCK HEX
51	---		119	9030	WASHER, 5/16" INTERNAL LOCK
52	6038	STEERING WHEEL	120	6280H	SPROCKET HUB HEX
53	9799	STOP SWITCH WIRE ASM	121	6282	SPROCKET, 420 X 54 TEETH
NI	1406	STOP SWITCH WIRE EXTENSION	122	6701	BOLT 5/16-18 X 1.250 SHCS
54	9080	BOLT, 1/4-20 X 2.750	123	9511H	BRAKE DISK
55	9160	BOLT, 1/4-20 X .875	NI	1019	CABLE TIE
56	9796	BOLT, #12-24 X .500 SELF TAPPING	NI	4350	OPERATOR'S MANUAL
57	6320	HEADREST, SINGLE			
58	4324	SEAT BACK/BOTTOM			
59	1263	NUT 5/16-18 HEX FLANGED WHIZ			
60	9515	CHAIN, 420 X 64 LINKS INCL. MASTERLINK			
61	8690	DRIVE COVER, NORYL			
62	1982	PEDAL LATCH, BLACK			
63	1846	BOLT, 1/4-20 X .750			
64	9057	NUT, 1/4-20 TOPLOCK			
65	1854	WASHER, #14 FLAT MS Z			
66	9176	BOLT, 5/16-18 X 1.0 HEX			
67	10149	DECAL SET FLOOR PAN QUICKSILVER LX			
68	8381	DECAL MADE IN AMERICA			

ASM = ASSEMBLY  
NI = NOT ILLUSTRATED

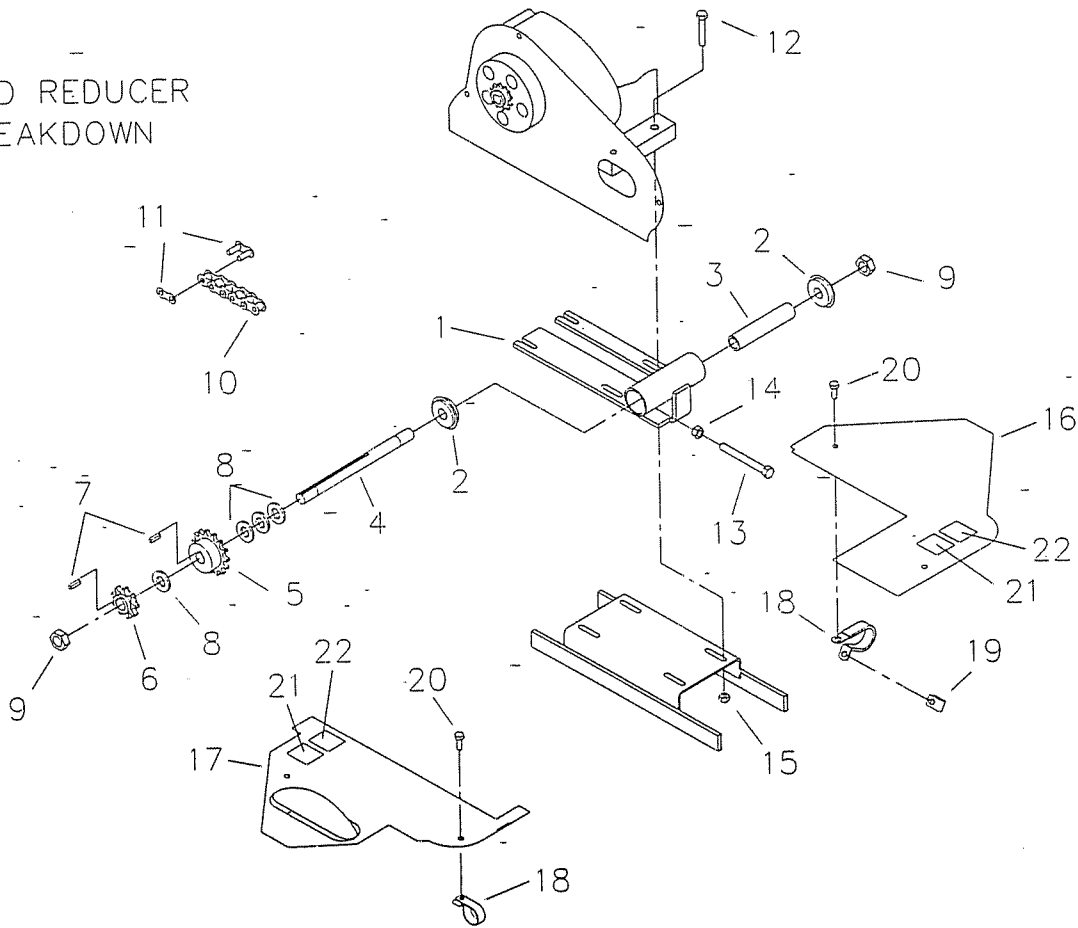


## CALIPER BREAKDOWN



REF	PART #	DESCRIPTION
ASM	8598	BRAKE CALIPER ASSEMBLY (INCL. 1-11)
ASM	9810	BRAKE PAD SERVICE KIT (INCL. 1-3)
1	----	ANVIL WITH LINING
2	----	BRAKE LINING
3	3928	BACKING PLATE
4	3930	ACTUATOR PIN
5	3931	ADJUSTOR PIN
6	3932	NUT, JAM
7	9158	BOLT, 3/8-16 X 2-1/4"
8	9085	NUT, 3/8-16 TOPLOCK HEX
ASM	6534	MB-1 SERVICE KIT (INCL. 9-11)
9	----	GROOVE PIN
10	----	LEVER
11	----	BRAKE HOUSING

## SPEED REDUCER BREAKDOWN



REF	PART #	DESCRIPTION
1	6558-2	SPEED RED. CHASSIS WELDMENT, BLACK
2	5090	BEARING, 5/8" I.D.
3	6568	SPANNER, 5/8" I.D. X 3-7/8"
4	6563	JACKSHAFT, 5/8" X 8.50
5	8761	SPROCKET, 15-TEETH 420P
6	8720	SPROCKET, 9-TEETH 420P INT. KEY
7	1031	KEY, 3/16" SQ. X 1/2"
8	1119	SPACER, 5/8" I.D. X 1/8"
9	1136	NUT, 5/8-18 CENTERLOCK HEX JAM
10	9724	CHAIN, 420 X 42 LINKS
11	2037	MASTERLINK, 420
12	6573	BOLT, 5/16-18 X 1.75 HEX HEAD

REF	PART #	DESCRIPTION
13	2385	BOLT, 3/8-16 X 4.0 HEX HEAD
14	1128	NUT, 3/8-16 HEX
15	1263	NUT, 5/16-18 FLANGED WHIZ
16	8230	RIGHT DECK COVER
17	8982	LEFT DECK COVER ASSEMBLY
18	8266	LOOP CLIP
19	8227	NUT, 1/4-20 TINNEMAN
20	1876	BOLT, 1/4-20 X 5/8" HEX FLANGED WHIZ
21	1049	DECAL, CAUTION DRIVE COVER
22	4912	DECAL, WARNING CHAINGUARD