

Operator's Manual SUPPLEMENT

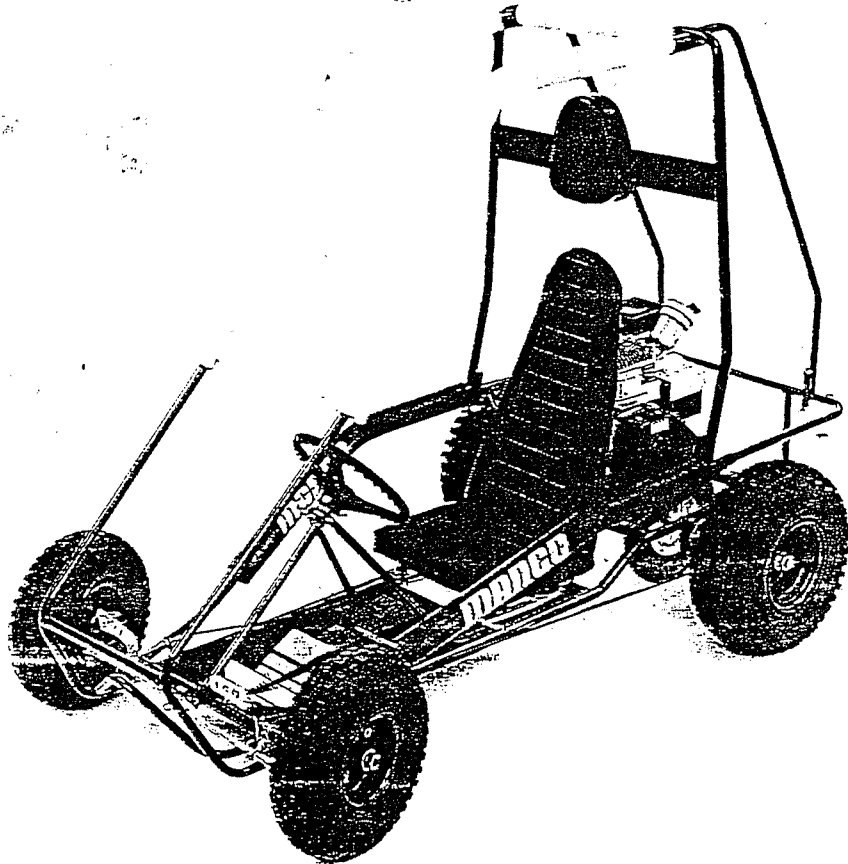
MANCO MODEL NO.

435-11

435-16

WARNING:
Read Engine
Owner's Manual,
Vehicle Operator's
Manual, and
Supplement
Carefully Before
Operating
Vehicle.

Parts List

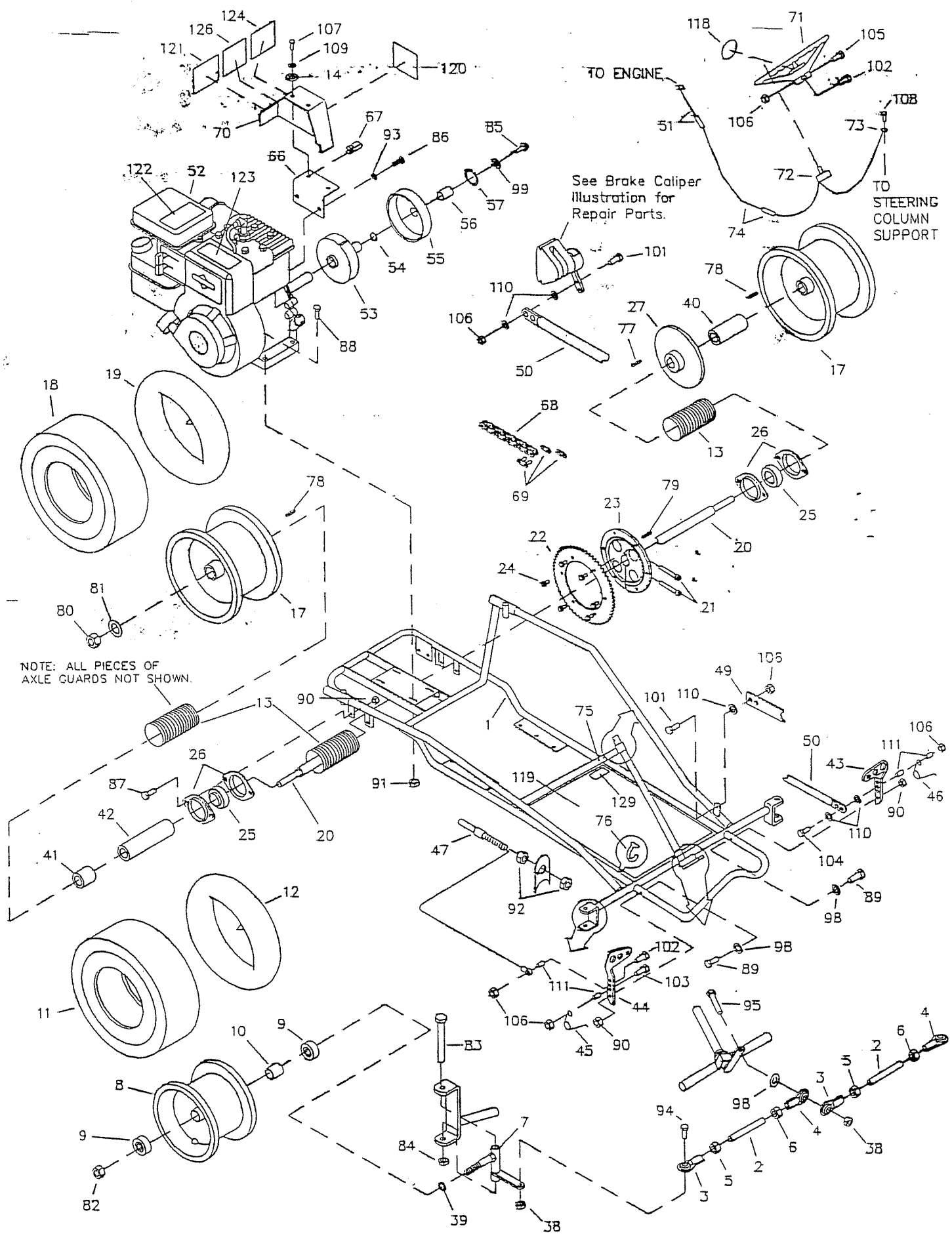


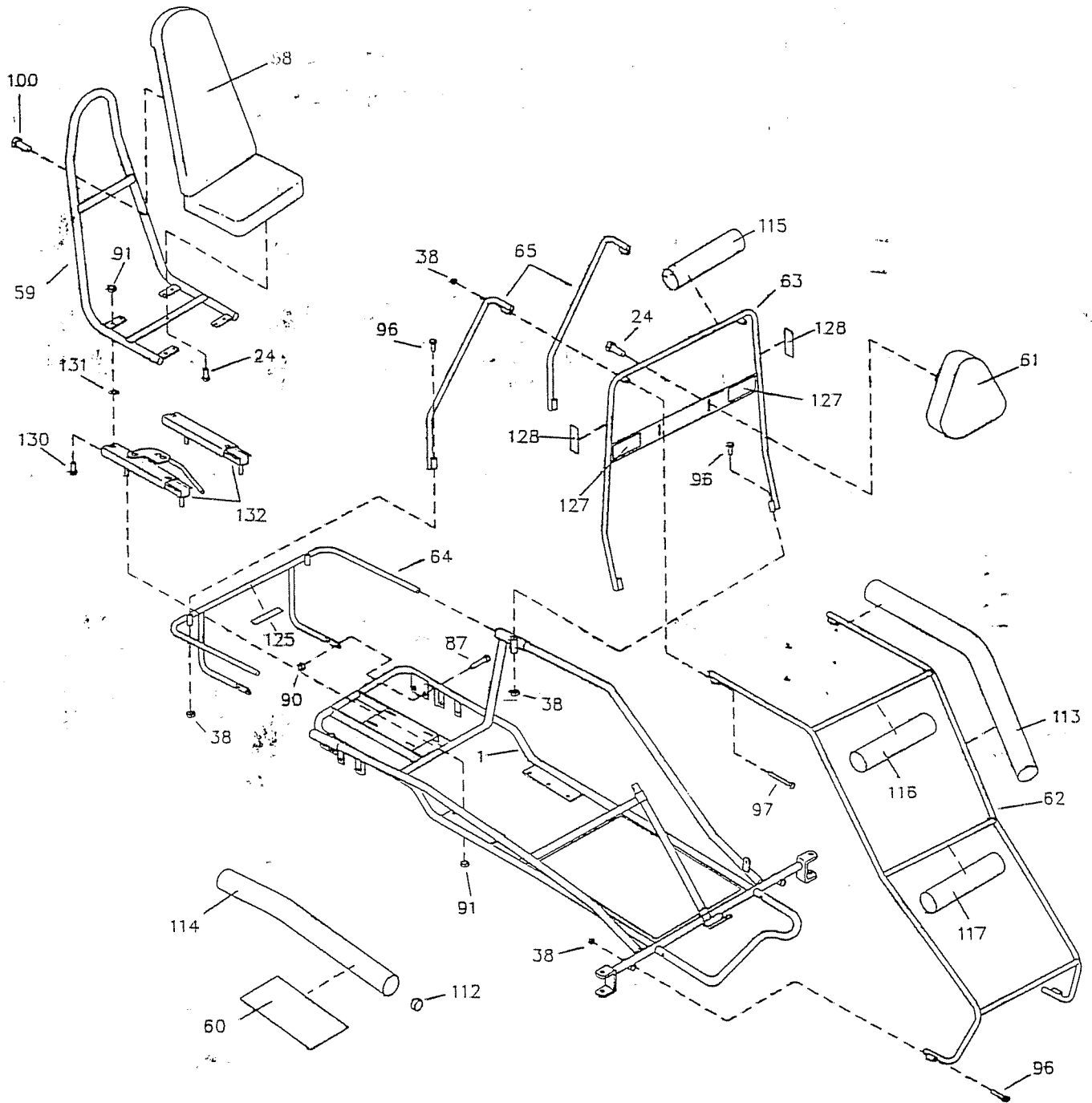
MANCO
PRODUCTS, INC.

4404 Engle Ridge Drive Ft. Wayne, Indiana 46804 219-432-1596

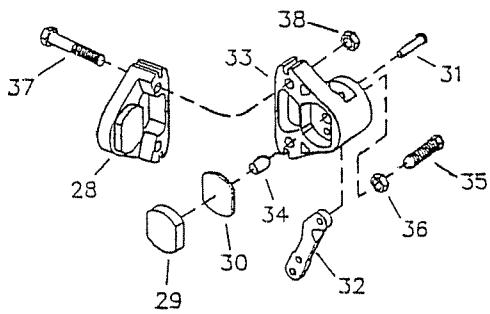
**THIS VEHICLE IS FOR
OFF-ROAD USE ONLY**

BEFORE OPERATING THIS VEHICLE, THE OWNER AND/OR OPERATOR MUST UNDERSTAND THE VEHICLE WAS NOT DESIGNED OR MANUFACTURED TO MEET SPECIFICATIONS FOR USE ON PUBLIC ROADS, STREETS, HIGHWAYS, OR THOROUGHFARES AND HAVE READ AND HAVE AN UNDERSTANDING OF ALL THE INSTRUCTIONS FOR SAFE ASSEMBLY AND OPERATION AS WELL AS THE INSTRUCTIONS GOVERNING THE ENGINE AND OTHER PORTIONS OF THE VEHICLE.





Brake Caliper Illustration



REPAIR PARTS 435-11/-16

REF NO.	PART NO.	DESCRIPTION	REF NO.	PART NO.	DESCRIPTION
1	8176-2	Frame, Black	50	9599-2	Brake Rod
ASM	4355	Tie Rod Asm (incl. 2-6)	51	1406	Wiring Harness
2	4352	Tie Rod	52	6010	Engine, 5hp
3	1414	Rod End, Right Hand	ASM	4195	Clutch Asm (incl. 53-57)
4	1415	Rod End, Left Hand	53	4496	Clutch Rotor
5	9092	Nut, 3/8-24 R.H. Jam	54	3146	Washer, Fiber
6	9024	Nut, 3/8-24 L.H. Jam	55	9781	Drum w/ Sprocket (incl. 56)
NI	6256-2	Spindle, Left	56	3143	Bushing
7	6257-2	Spindle, Right	57	3141	Snap Ring
8	9309FP	Wheel Asm, Front (incl. 9-12)	58	4324	Seat
9	5090	Bearing, 5/8" ID w/ Snap Ring	59	9973-2	Seat Frame
10	5950	Spanner, 5/8" ID x 2-1/8"	60	9800	Arm Pad Cover, 435-11
11	4915	Tire, 145/70 x 6 Knobby		9797	Arm Pad Cover, 435-16
12	3802	Tube, 6"	61	6320	Headrest, 435-11
13	K435-11	Axle Guard Repair Kit		9494	Headrest, 435-16
14	9104	Washer, No. 1D Flat	62	9540-2	Front Bar
15			63	9547-2	Center Bar
16			64	9554-2	Rear Bar
ASM	6289P	Wheel Asm, Rear (incl. 17-19)	65	9549-2	Rear Upright
17	9606	Wheel, 7"	66	3363-2	Bracket, Chainguard
18	9607	Tire, 16 x 8 - 7"	67	5135	Nut, Tinnerman
19	9609	Tube, 16 x 8 - 7" (Repair Part Only)	68	9516	Chain, #420 x 74 Pitch
20	9693	Axle Shaft	69	2037	Master Link, #420
ASM	9571	Sprocket Asm, (incl. 21-24)	70	9699	Chainguard
21	6701	Bolt, 5/16-18 x 1" Socket Head	ASM	1694	Steering Wheel Asm (incl. 71-74)
22	9505	Sprocket, 420P x 58T	71	6038	Steering Wheel
23	6280	Hub, Sprocket	72	1392	Switch, Toggle
24	1876	Bolt, 1/4-20 x 5/8" Whiz Flange	73	1393	Terminal, Ring
25	3941	Bearing, 1" ID	74	1394	Wire, 50" w/ Splice Connector
26	1760	Bearing Flange	75	1463	Bushing, Insulating
27	9511	Brake Disk	76	1019	Ty-Wrap
ASM	9598	Brake Caliper (incl. 28-38)	77	1775	Key, 1/4" x 1/4" x 1-1/4"
ASM	9810	Brake Pad Service Kit (incl. 28-30)	78	6123	Key, 1/4" x 1/4" x 1-3/4"
ASM	6534	MB-1 Service Kit (incl. 31-33)	79	9680	Key, 1/4" x 3/8" x 1-1/4"
28	*	Anvil with Brake Lining	80	9162	Nut, 3/4-10 Toplock
29	*	Brake Lining	81	1194	Washer, 3/4" Flat
30	*	Backing Plate	82	1046	Nut, 5/8-11 Toplock
31	*	Groove Pin	83	1264	Bolt, 1/2-13 x 3-1/2"
32	*	Lever	84	1012	Nut, 1/2-13 Toplock
33	*	Housing	85	1491	Bolt, 5/16-24 X 3/4"
34	3930	Actuator Pin	86	9101	Bolt, 5/16-18 x 1/2"
35	3931	Adjuster Screw	87	2264	Bolt, 5/16-18 x 3/4"
36	3932	Jam Nut	88	9186	Bolt, 5/16-18 x 1-1/2"
37	9158	Bolt, 3/8-16 x 2-1/4"	89	9110	Bolt, 5/16-18 x 1-1/2", 7/8" Shoulder
38	9085	Nut, 3/8-16 Toplock	90	1189	Nut, 5/16-18 Toplock
39	5157	Spacer, 5/8" ID x 13GA x 3/4"	91	1263	Nut, 5/16-18 Whiz Flange
40	4913	Spacer, 1" ID x 12GA x 3"	92	9058	Nut, 5/16-24 Jam
41	2265	Spacer, 1" ID x 12GA x 3/4"	93	9030	Washer, 5/16 Interlock
42	1448	Spacer, 1" ID x 12GA x 3-9/16"	94	9146	Bolt, 3/8-16 x 1-1/2"
43	1436	Brake Pedal	95	9145	Bolt, 3/8-16 x 1-3/4"
44	1437	Throttle Pedal	96	2386	Bolt, 3/8-16 x 3-1/2"
45	9502	Spring, Left Wound	97	6452	Bolt, 3/8-16 x 5"
46	9503	Spring, Right Wound	98	9091	Washer, 3/8 Flat
47	1390	Throttle Cable	99	9001	Washer, 3/8 Int/Ext Lock
48	1628	Throttle Cable Retainer	100	9006	Bolt, 1/4-20 x 1/2"
49	1982	Pedal Latch	101	1846	Bolt, 1/4-20 x 3/4"

REPAIR PARTS 435-11/-16

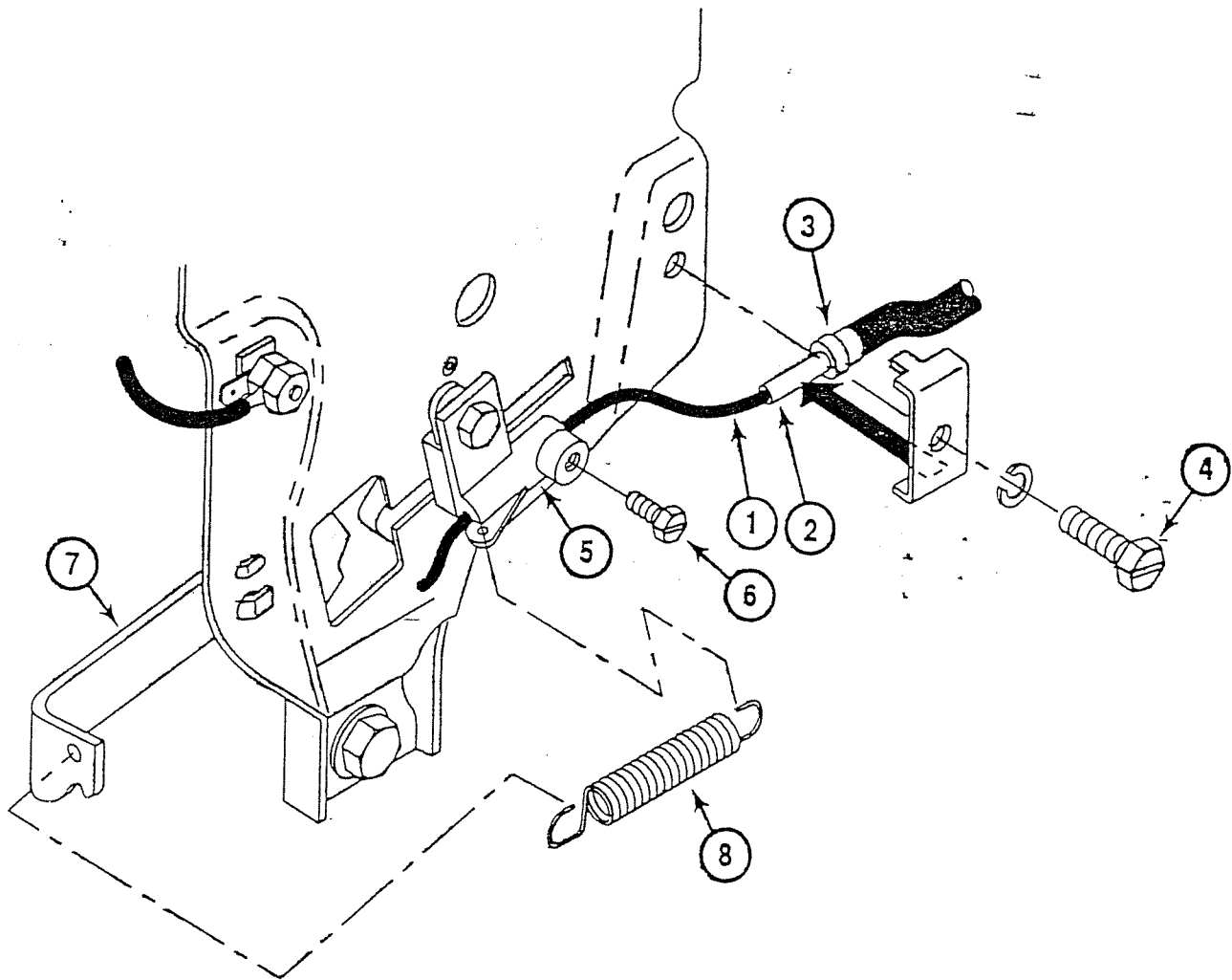
REF NO.	PART NO.	DESCRIPTION	REF NO.	PART NO.	DESCRIPTION
102	9160	Bolt, 1/4-20 x 7/8" w/ Nylock	119	4342	Decal, Floor Pan 435-11
103	1847	Bolt, 1/4-20 x 1"		9464	Decal, Floor Pan 435-16
104	1849	Bolt, 1/4-20 x 1-1/2"	120	6791	Decal, Oil Clutch Here
105	9080	Bolt, 1/4-20 x 2-3/4"	121	9610	Decal, Tire Pressure
106	9057	Nut, 1/4-20 Toplock	122	9677	Decal, Warning Hot Surfaces
107	6046	Bolt, 10-24 x 1/2"	123	9678	Decal, Warning Engine Exhaust
108	9796	Bolt, 12-24 x 1/2" Self Tapping	124	4912	Decal, Warning Chainguard
109	6039	Washer, No. 10 Inter Lock	125	9679	Decal, Warning No Riders Allowed
110	1854	Washer, No. 14 Flat	126	1049	Decal, Caution Drive Cover
111	1389	Bushing, 1/4" ID x 5/16"	127	8138	Decal, Warning: Entanglement
112	9776	Clamp, 3/4" ID	128	6540	Decal, Warning: Wear Helmet
ASM	9798**	Foam Replacement Kit (incl. 113-117)	129	8154	Decal, Age Restriction
113	9758**	Foam, 43"	130	9990	Carriage Bolt, 5/16-18 x .625, Rd. Head
114	9759**	Foam, 30"	131	9989	Washer, Retaining
115	9763**	Foam, 16"	132	6734	Seat Slide Pair
116	9764**	Foam, 15"	NI	5964	Decal, Warning Kart Shipped w/o Oil
117	9765**	Foam, 14"	NI	2601	Engine Owner's Manual
118	3296	Decal, Steering Wheel Center 435-11	NI	4350	Vehicle Operator's Manual
	9498	Decal, Steering Wheel Center 435-16	NI	9212r4	Vehicle Assembly Instructions

NI= Not Illustrated.

* = Not Available Separately.

** = Specify Black, Pink, White, Yellow.

THROTTLE CABLE INSTALLATION



ASSEMBLY: Pass the Throttle Cable (Item 1) through the 1628 Cable Retainer (Item 2) and butt the Throttle Cable Housing End (Item 3) against the Inside Shoulder of the 1628 Cable Retainer (Item 2). The 1628 Cable Retainer (Item 2) is to be securely fastened to the engine with the Clamping Screw (Item 4). Pass the Wire End of the Throttle Cable Housing (Item 1) through the hole in the 5928 Cable Stop (Item 5). Before tightening 5929 Cable Stop Screw (Item 6):

1. Ensure 5926 Spring Anchor (Item 7), 5927 Spring (Item 8) and Throttle Cable are installed as illustrated above.
2. Ensure throttle pedal is in rearward (idle) position.
3. Ensure that there is no slack in the Throttle Cable Wire End (Item 1) with no tension applied to the spring (Item 8).
4. Ensure Throttle Cable Housing End (Item 3) is inside and against the 1628 Cable Retainer (Item 2).