

Operator's Manual SUPPLEMENT

MANCO MODEL NO.

435-112

435-162

435-191

WARNING:
Read Engine
Owner's Manual,
Vehicle Operator's
Manual, and
Supplement
Carefully Before
Operating
Vehicle.

Parts List



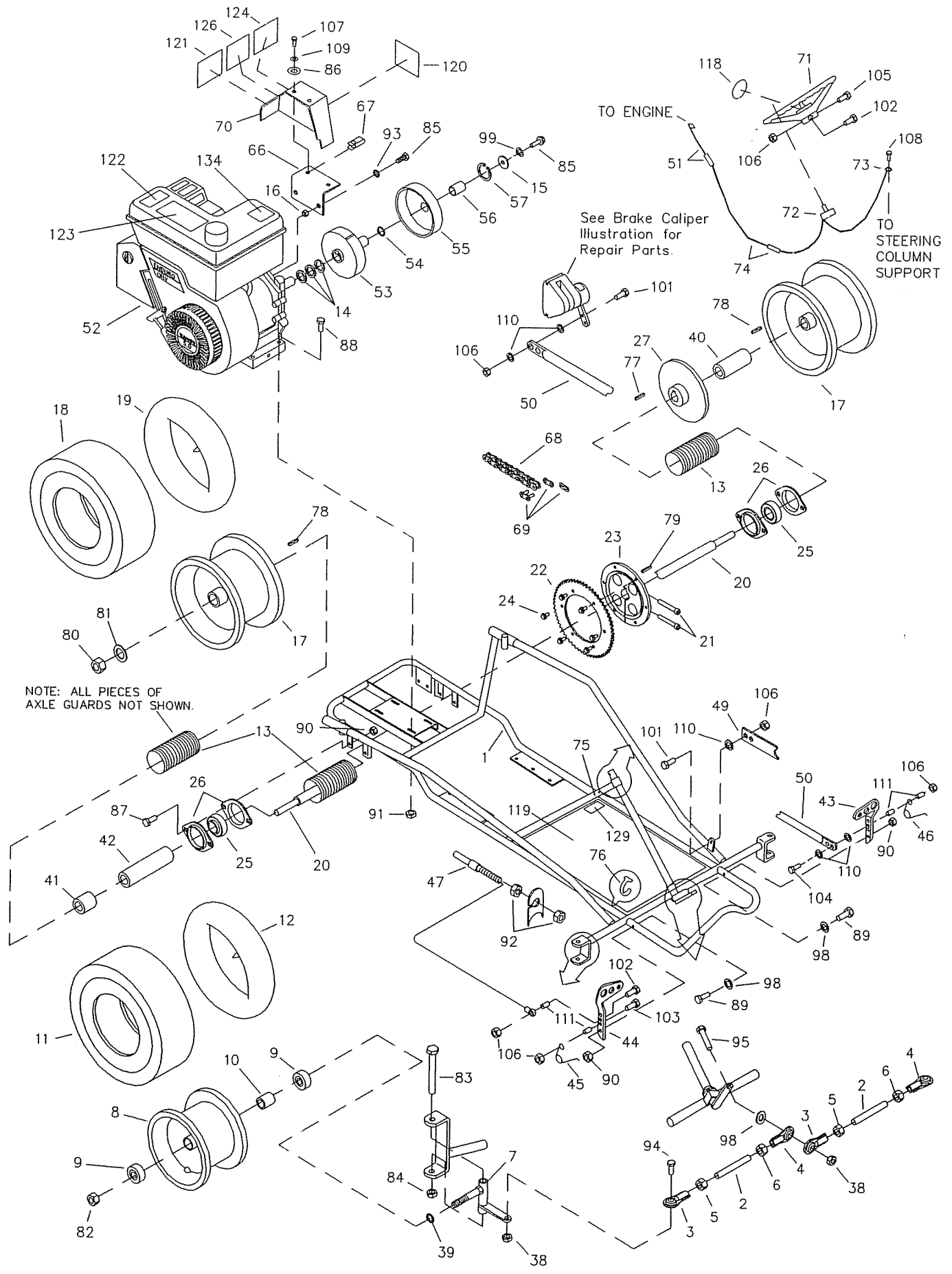
(Unit Pictured is Model 435-11)

MANCO
PRODUCTS, INC.

4404 Engle Ridge Drive Ft. Wayne, Indiana 46804 219-432-1596

**THIS VEHICLE IS FOR
OFF-ROAD USE ONLY**

BEFORE OPERATING THIS VEHICLE, THE OWNER AND/OR OPERATOR MUST UNDERSTAND THE VEHICLE WAS NOT DESIGNED OR MANUFACTURED TO MEET SPECIFICATIONS FOR USE ON PUBLIC ROADS, STREETS, HIGHWAYS, OR THOROUGHFARES AND HAVE READ AND HAVE AN UNDERSTANDING OF ALL THE INSTRUCTIONS FOR SAFE ASSEMBLY AND OPERATION AS WELL AS THE INSTRUCTIONS GOVERNING THE ENGINE AND OTHER PORTIONS OF THE VEHICLE.



REPAIR PARTS 435-112/-162/-191

REF NO.	PART NO.	DESCRIPTION	REF NO.	PART NO.	DESCRIPTION
1	8176-2	Frame, Black 435-112/-162	50	9599-2	Brake Rod
	8176-19	Frame, Red 435-191	51	1406	Wiring Harness
ASM	4355	Tie Rod Asm (incl. 2-6)	52	9737	Engine, 5.5hp 435-112/-162
2	4352	Tie Rod		9661	Engine, 5hp 435-191
3	1414	Rod End, Right Hand	ASM	4335	Clutch Asm (incl. 53-57) 435-112/-162
4	1415	Rod End, Left Hand	ASM	4195	Clutch Asm (incl. 53-57) 435-191
5	9092	Nut, 3/8-24 R.H. Jam	53	4496	Clutch Rotor
6	9024	Nut, 3/8-24 L.H. Jam	54	3146	Washer, Fiber
NI	6256-2	Spindle, Left	55	9781	Drum w/ Sprocket (incl. 56)
7	6257-2	Spindle, Right	56	3143	Bushing
8	9309FP	Wheel Asm, Front (incl. 9-12)	57	3141	Snap Ring
9	5090	Bearing, 5/8" ID w/ Snap Ring	58	4324	Seat
10	5950	Spanner, 5/8" ID x 2-1/8"	59	9973-2	Seat Frame
11	4915	Tire, 145/70 x 6 Knobby	60	9800	Arm Pad Cover, 435-112
12	3802	Tube, 6"		9797	Arm Pad Cover, 435-162
13	K435-11	Axle Guard Repair Kit	61	6320	Headrest, 435-112/-191
14	1194	Washer, 3/4 ID, 1/8" -xx2's Only		9494	Headrest, 435-162
15	1398	Washer, 21/64 ID, 1/8" -xx2's Only	62	9540-2	Front Bar
16	2388	Nut, 3/8-24 -xx2's Only	63	9547-2	Center Bar
ASM	6289P	Wheel Asm, Rear (incl. 17-19)	64	9554-2	Rear Bar 435-112/-162
17	9606	Wheel, 7"		9554-19	Rear Bar 435-191
18	9607	Tire, 16 x 8 - 7"	65	9549-2	Rear Upright
19	9609	Tube, 16 x 8 - 7" (Repair Part Only)	66	3363-2	Bracket, Chainguard
20	9693	Axle Shaft	67	5135	Nut, Tinnerman
ASM	9571	Sprocket Asm, (incl. 21-24)	68	9516	Chain, #420 x 74 Pitch
21	6701	Bolt, 5/16-18 x 1" Socket Head	69	2037	Master Link, #420
22	9505	Sprocket, 420P x 68T	70	9699	Chainguard
23	6280	Hub, Sprocket	ASM	1694	Steering Wheel Asm (incl. 71-74)
24	1876	Bolt, 1/4-20 x 5/8" Whiz Flange	71	6038	Steering Wheel
25	3941	Bearing, 1" ID	72	1392	Switch, Toggle
26	1760	Bearing Flange	73	1393	Terminal, Ring
27	9511	Brake Disk	74	1394	Wire, 50" w/ Splice Connector
ASM	9598	Brake Caliper (incl. 28-38)	75	1463	Bushing, Insulating
ASM	9810	Brake Pad Service Kit (incl. 28-30)	76	1019	Ty-Wrap
ASM	6534	MB-1 Service Kit (incl. 31-33)	77	1775	Key, 1/4" x 1/4" x 1-1/4"
28	*	Anvil with Brake Lining	78	6123	Key, 1/4" x 1/4" x 1-3/4"
29	*	Brake Lining	79	9680	Key, 1/4" x 3/8" x 1-1/4"
30	*	Backing Plate	80	9162	Nut, 3/4-10 Toplock
31	*	Groove Pin	81	1194	Washer, 3/4" Flat
32	*	Lever	82	1046	Nut, 5/8-11 Toplock
33	*	Housing	83	1264	Bolt, 1/2-13 x 3-1/2"
34	3930	Actuator Pin	84	1012	Nut, 1/2-13 Toplock
35	3931	Adjuster Screw	85	8139	Bolt, 5/16-24 X 1"
36	3932	Jam Nut	86	9104	Washer No. 10 Flat
37	9158	Bolt, 3/8-16 x 2-1/4"	87	2264	Bolt, 5/16-18 x 3/4"
38	9085	Nut, 3/8-16 Toplock	88	9186	Bolt, 5/16-18 x 1-1/2"
39	5157	Spacer, 5/8" ID x 13GA x 3/4"	89	9110	Bolt, 5/16-18 x 1-1/2", 7/8" Shoulder
40	4913	Spacer, 1" ID x 12GA x 3"	90	1189	Nut, 5/16-18 Toplock
41	2265	Spacer, 1" ID x 12GA x 3/4"	91	1263	Nut, 5/16-18 Whiz Flange
42	1448	Spacer, 1" ID x 12GA x 3-9/16"	92	9058	Nut, 5/16-24 Jam
43	1436	Brake Pedal	93	9030	Washer, 5/16 Interlock
44	1437	Throttle Pedal	94	9146	Bolt, 3/8-16 x 1-1/2"
45	9502	Spring, Left Wound	95	9145	Bolt, 3/8-16 x 1-3/4"
46	9503	Spring, Right Wound	96	2386	Bolt, 3/8-16 x 3-1/2"
47	1390	Throttle Cable	97	6452	Bolt, 3/8-16 x 5"
48	1628	Throttle Cable Retainer	98	9091	Washer, 3/8 Flat
49	1982	Pedal Latch	99	1130	Washer, 3/8 Split Lock 435-112/-162
				9001	Washer, 3/8 Int/Ext Lock 435-191

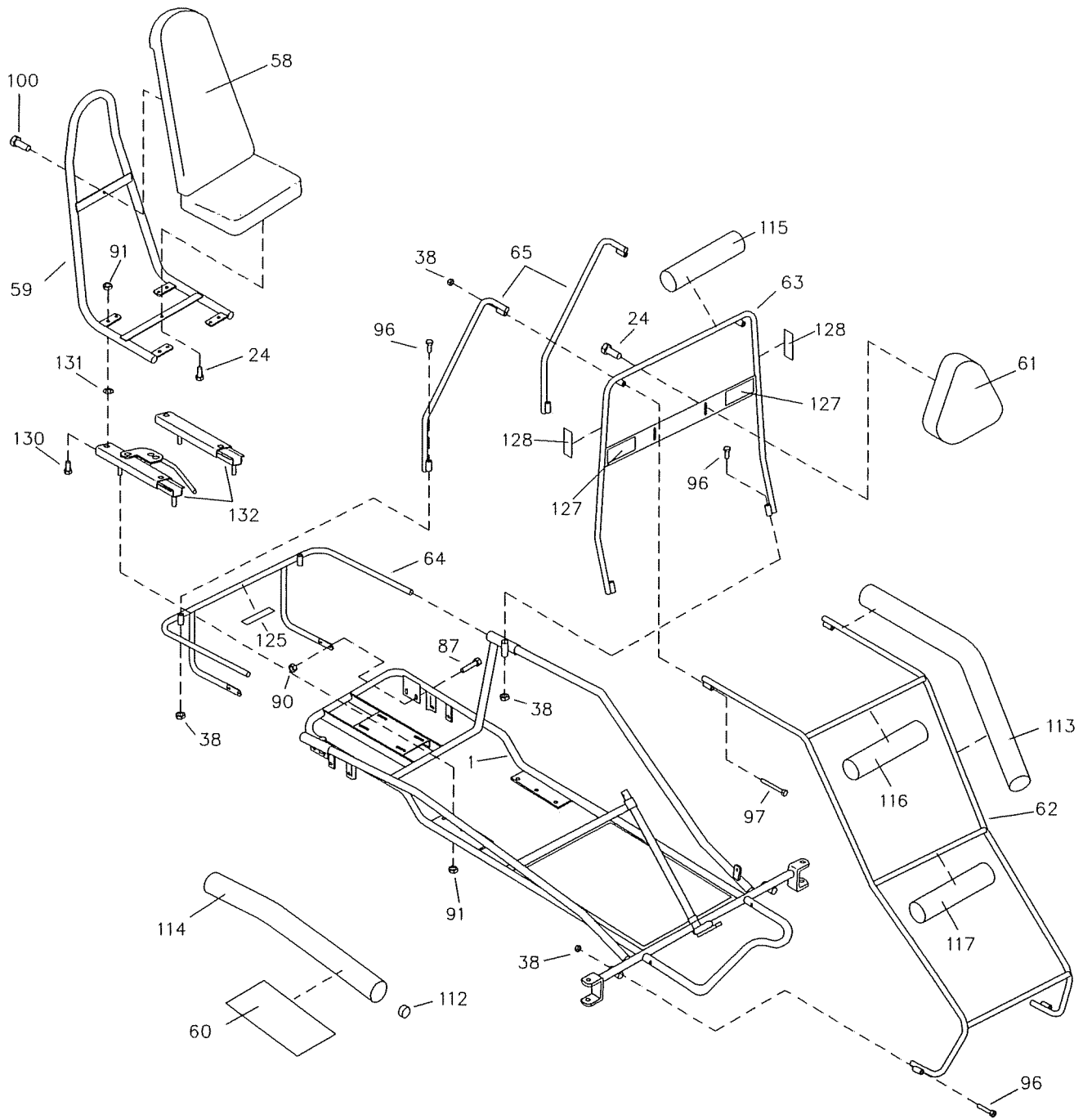
REPAIR PARTS 435-112/-162/-191

REF NO.	PART NO.	DESCRIPTION	REF NO.	PART NO.	DESCRIPTION
100	9006	Bolt, 1/4-20 x 1/2"	119	4342	Decal, Floor Pan 435-112
101	1846	Bolt, 1/4-20 x 3/4"		9464	Decal, Floor Pan 435-162
102	9160	Bolt, 1/4-20 x 7/8" w/ Nylock		9486	Decal, Floor Pan 435-191
103	1847	Bolt, 1/4-20 x 1"	120	6791	Decal, Oil Clutch Here
104	1849	Bolt, 1/4-20 x 1-1/2"	121	9610	Decal, Tire Pressure
105	9080	Bolt, 1/4-20 x 2-3/4"	122	9677	Decal, Warning Hot Surfaces
106	9057	Nut, 1/4-20 Toplock	123	9678	Decal, Warning Engine Exhaust
107	6046	Bolt, 10-24 x 1/2"	124	4912	Decal, Warning Chainguard
108	9796	Bolt, 12-24 x 1/2" Self Tapping	125	9679	Decal, Warning No Riders Allowed
109	6039	Washer, No. 10 Inter Lock	126	1049	Decal, Caution Drive Cover
110	1854	Washer, No. 14 Flat	127	8138	Decal, Warning: Entanglement
111	1389	Bushing, 1/4" ID x 5/16"	128	6540	Decal, Warning: Wear Helmet
112	9776	Clamp, 3/4" ID	129	8154	Decal, Age Restriction
ASM	9798**	Foam Replacement Kit (incl. 113-117)	130	9990	Carriage Bolt, 5/16-18 x .625, Rd. Head
113	9758**	Foam, 43"	131	9989	Washer, Retaining
114	9759**	Foam, 30"	132	6734	Seat Slide Pair
115	9763**	Foam, 16"	133	1018	Throttle Cable Stop
116	9764**	Foam, 15"	134	5964	Decal, Warning Kart Shipped w/o Oil
117	9765**	Foam, 14"	NI	2684E	Engine Owner's Manual 435-112/-162
118	3296	Decal, Steering Wheel Center 435-112	NI	2684D	Engine Owner's Manual 435-191
	9498	Decal, Steering Wheel Center 435-162	NI	4350	Vehicle Operator's Manual
	5946	Decal, Steering Wheel Center 435-191	NI	9212r4	Vehicle Assembly Instructions

NI= Not Illustrated.

* = Not Available Separately.

** = Specify Black, Pink, White, Yellow.



Brake Caliper Illustration

