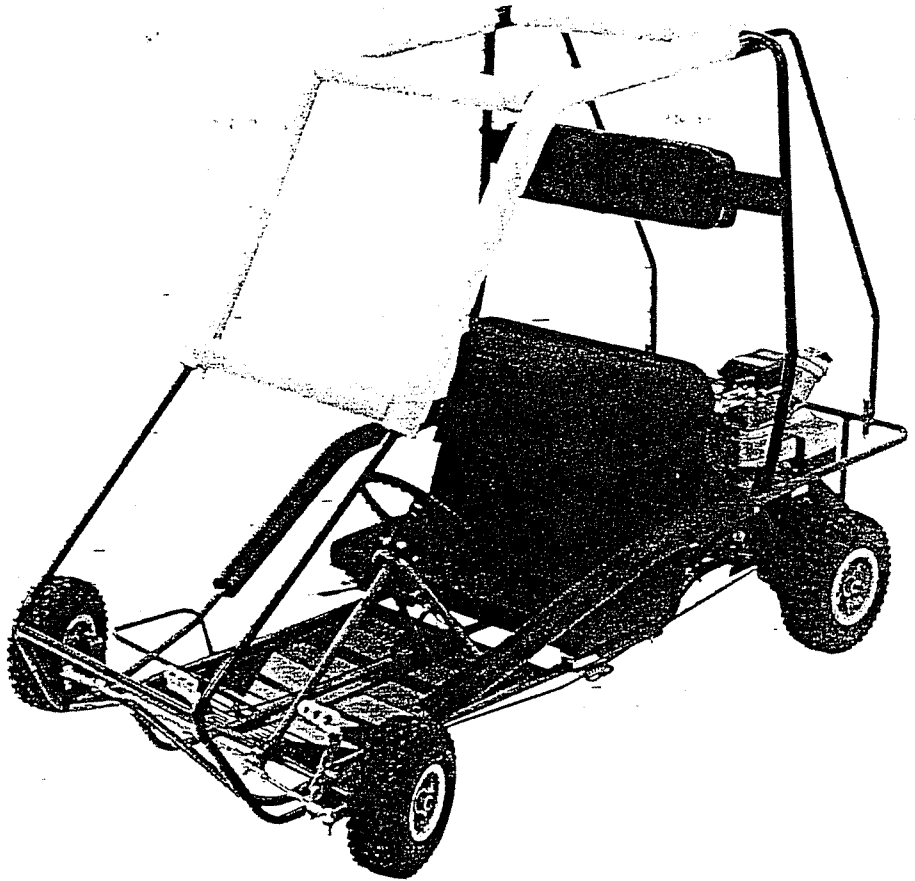


Operator's Manual SUPPLEMENT

MANCO MODEL NO.
415-301

WARNING:
Read Engine
Owner's Manual,
Vehicle Operator's
Manual, and
Supplement
Carefully Before
Operating
Vehicle.

Parts List



(UNIT PICTURED IS MODEL 415-20)

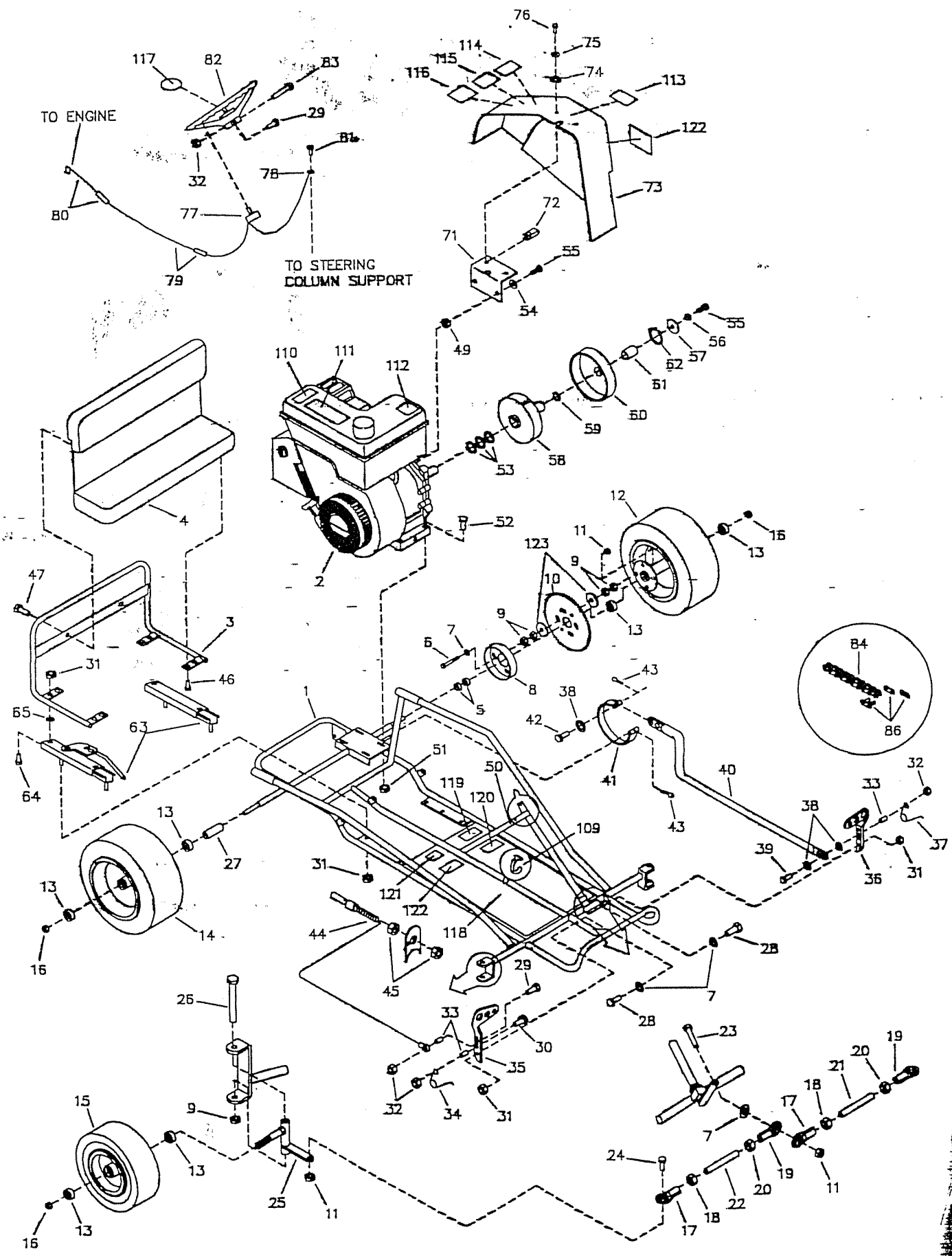
MANCO
PRODUCTS, INC.

4404 Engle Ridge Drive Ft. Wayne, Indiana 46804 219-432-1596

**THIS VEHICLE IS FOR
OFF-ROAD USE ONLY**

BEFORE OPERATING THIS VEHICLE, THE OWNER AND/OR OPERATOR MUST UNDERSTAND THE VEHICLE WAS NOT DESIGNED OR MANUFACTURED TO MEET SPECIFICATIONS FOR USE ON PUBLIC ROADS, STREETS, HIGHWAYS, OR THOROUGHFARES AND HAVE READ AND HAVE AN UNDERSTANDING OF ALL THE INSTRUCTIONS FOR SAFE ASSEMBLY AND OPERATION AS WELL AS THE INSTRUCTIONS GOVERNING THE ENGINE AND OTHER PORTIONS OF THE VEHICLE.

REPAIR PARTS - MODEL 415-301



REPAIR PARTS - MODEL 415-301

REF NO.	PART NO.	DESCRIPTION	REF NO.	PART NO.	DESCRIPTION
1	8350-19	Frame	56	1124	Washer, 5/16 Split Lock
2	9661	Engine, 5hp Tecumseh	57	1398	Washer, 21/64 ID x 1-1/4 OD x 1/8"
3	9968-2	Seat Frame	ASM	4335	Clutch Asm. (incl. REF 58-62)
4	8370	Seat Back/Bottom	58	4496	Clutch Rotor
5	1119	Spacer, 5/8 ID x 1/8"	59	3146	Washer, Fiber
ASM	8500	Drive Wheel Asm. (incl. REF 6-13)	60	4491	Drum w/Sprocket (incl. REF 61)
6	9190	Bolt, 3/8-16 x 3-1/4"	61	3143	Bushing
7	9091	Washer, 3/8 Flat	62	3141	Snap Ring
8	1246	Brake Drum	63	6734	Seat Slide (pair)
9	1012	Nut, 1/2-13 Toplock	64	9990	Carriage Bolt, 5/16-18x5/8"
10	9986	Sprocket, 35P x 50T <i>30 tooth</i>	65	9989	Washer, Plastic Retaining
11	9085	Nut, 3/8-16 Toplock	66	---	
12	8499	Wheel Asm. 6" (incl. REF 13)	67	---	
13	5090	Bearing	68	---	
14	8506	Idle Wheel Asm. 6" (incl. REF 13)	69	---	
15	8282	Front Wheel Asm. 5" (incl. REF 13)	70	---	
16	1046	Nut, 5/8-11 Toplock	71	3363-2	Mounting Bracket, Chainguard
ASM	4358	Tie Rod Asm. Short (incl. REF 17-21)	72	5135	Nut, Tinnerman
ASM	4359	Tie Rod Asm. Long (incl. REF 17-20, 22)	73	3362	Chainguard
17	1414	Tie Rod End, RH Thread	74	9104	Washer, #10 Flat
18	9092	Nut, 3/8-24 Jam RH Thread	75	6039	Washer, #10 Lock
19	1415	Tie Rod End, LH Thread	76	6046	Screw, #10-24 x 1/2"
20	9024	Nut, 3/8-24 Jam LH Thread	ASM	9799	Stop Switch Asm. (incl. REF 77-79)
21	4356	Tie Rod, Short	77	1392	Stop Switch
22	5003	Tie Rod, Long	78	1393	Ring Terminal
23	9145	Bolt, 3/8-16 x 1-3/4"	79	1394	Wire, 50" w/Splice Connector
24	9146	Bolt, 3/8-16 x 1-1/2"	80	1406	Wire w/ Blade Terminal
25	8021	Spindle, Right Side	81	9796	Screw, 12-24 x 1/2" Self Tapping
NI	8020	Spindle, Left Side	82	6038	Steering Wheel
26	1264	Bolt, 1/2-13 x 3-1/2"	83	9080	Bolt, 1/4-20 x 2-3/4"
27	2024	Spacer, 5/8 ID x 1-1/2"	84	---	
28	9110	Bolt, 3/8 x 7/8 Shldr., 5/16-18 x 5/8 Thd.	85	9978	Chain, #35 x 86P (incl. REF 86)
29	9160	Bolt, 1/4-20 x 7/8" Nylock	86	1269	Masterlink, #35 Chain
30	1847	Bolt, 1/4-20 x 1"	+ 87	8439-2	Front Bar <i>8290-2</i>
31	1189	Nut, 5/16-18 Toplock	88	8291-2	Center Bar
32	9057	Nut, 1/4-20 Toplock	89	8292-2	Rear Upright
33	1389	Bushing	90	8353-19	Rear bar
34	9502	Spring, Left Wound	91	8373	Seat Belt, Lap/Shoulder
35	1437	Pedal, Throttle	92	8374	Seat Belt, Retractor
36	1436	Pedal, Brake	93	8375	Seat Belt, Plastic Sleeve
37	9503	Spring, Right Wound	94	8369	Headrest Pad
38	1854	Washer, #14 Flat	95	9759B	Foam, Black 30"
39	1848	Bolt, 1/4-20 x 1-1/4"	96	8368Y	Foam, Yellow 24"
40	8392-2	Brake Rod	97	8367Y	Foam, Yellow 15.5"
41	1036	Brake Band w/Retainer	98	8366Y	Foam, Yellow 12.5"
42	9118	Clevis Pin	99	1628	Throttle Cable Retainer
43	9116	Cotter Pin	100	1018	Cable Stop
44	1390	Throttle Cable w/Housing (incl. REF 45)	101	9188	Bolt, 1/2-13 x 1-1/4"
45	9058	Nut, 5/16-24 Jam	102	9022	Washer, 1/2 Flat
46	9189	Bolt, 1/4-20 x 7/8" Whiz Flange	103	2386	Bolt, 3/8-16 x 3-1/2"
47	1876	Bolt, 1/4-20 x 5/8" Whiz Flange	104	9006	Bolt, 1/4-20 x 1/2"
48	---		105	1849	Bolt, 1/4-20 x 1-1/2"
49	2388	Nut, 3/8-24	106	2264	Bolt, 5/16-18 x 3/4"
50	1463	Bushing, Insulating	107	6540	Decal, Warning: Wear Helmet
51	1263	Nut, 5/16-18 Whiz Flange	108	9679	Decal, Warning: No Riders Allowed
52	9186	Bolt, 5/16-18 x 1-1/2"	109	1019	Ty-Wrap
53	1194	Washer, 3/4 ID x 1/8"	110	9677	Decal, Warning: Hot Surfaces
54	9060	Washer, 5/16 Flat			
55	8139	Bolt, 5/16-24 x 1"			

REPAIR PARTS - MODEL 415-301

REF NO.	PART NO.	DESCRIPTION	REF NO.	PART NO.	DESCRIPTION
111	9678	Decal, Warning: Engine Exhaust	119	4504	Decal, Yellow Warning
112	5964	Decal, Warning: Engine Oil	120	8399	Decal, Warning: Seat Belt
113	6791	Decal, Oil Clutch Here	121	8381	Decal, Made in America
114	8398	Decal, Tire Pressure	122	8138	Decal, Warning: Entanglement
115	4912	Decal, Warning: Guard Must Be...	123	8186	Washer, .391 ID x 1-1/4 OD x 1/8"
116	1049	Decal, Caution: Drive Cover	124	8445	Safety Flag with Bracket
117	3296	Decal, Steering Wheel	NI	4350/S	Operator's Manual English/Spanish
118	4341	Decal, Floor Pan	NI	9282R1/S	Assembly Instructions
			NI	2684D	Engine Operator's Manual

ASM = Assembly
NI = Not Illustrated

