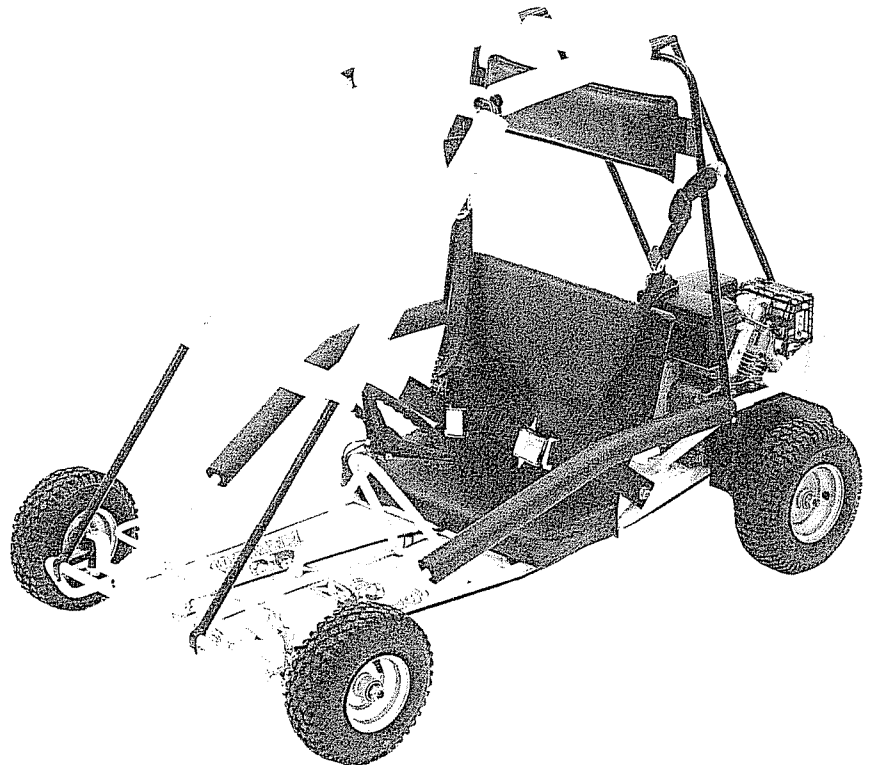


Operator's Manual SUPPLEMENT

MANCO MODEL NO.
415-271

WARNING:
Read Engine
Owner's Manual,
Vehicle Operator's
Manual, and
Supplement
Carefully Before
Operating
Vehicle.

Parts List

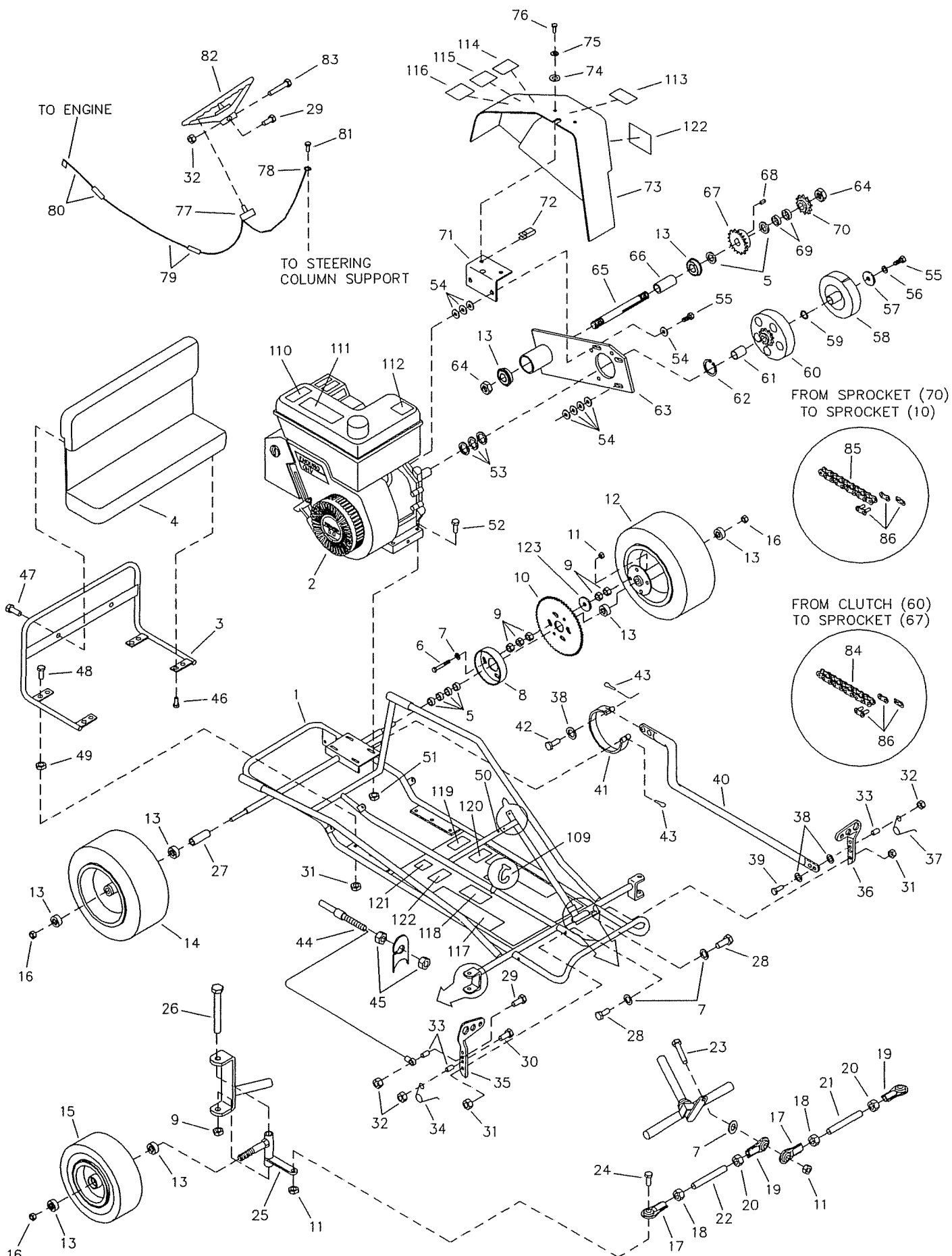


MANCO
PRODUCTS, INC.

4404 Engle Ridge Drive Ft. Wayne, Indiana 46804 219-432-1596

**THIS VEHICLE IS FOR
OFF-ROAD USE ONLY**

BEFORE OPERATING THIS VEHICLE, THE OWNER AND/OR OPERATOR MUST UNDERSTAND THE VEHICLE WAS NOT DESIGNED OR MANUFACTURED TO MEET SPECIFICATIONS FOR USE ON PUBLIC ROADS, STREETS, HIGHWAYS, OR THOROUGHFARES AND HAVE READ AND HAVE AN UNDERSTANDING OF ALL THE INSTRUCTIONS FOR SAFE ASSEMBLY AND OPERATION AS WELL AS THE INSTRUCTIONS GOVERNING THE ENGINE AND OTHER PORTIONS OF THE VEHICLE.



REPAIR PARTS - MODEL 415-271

REF NO.	PART NO.	DESCRIPTION	REF NO.	PART NO.	DESCRIPTION
1	8350-20	Frame	56	1124	Washer, 5/16 Split Lock
2	9661	Engine, 5hp Tecumseh	57	1398	Washer, 21/64 ID x 1-1/4 OD x 1/8"
3	9968-2	Seat Frame	ASM	4335	Clutch Asm. (incl. REF 58-62)
4	8370	Seat Back/Bottom	58	4496	Clutch Rotor
5	1119	Spacer, 5/8 ID x 1/8"	59	3146	Washer, Fiber
ASM	8358	Drive Wheel Asm. (incl. REF 6-13)	60	4491	Drum w/Sprocket (incl. REF 61)
6	9190	Bolt, 3/8-16 x 3-1/4"	61	3143	Bushing
7	9091	Washer, 3/8 Flat	62	3141	Snap Ring
8	8391	Brake Drum	ASM	8357	Speed Reducer Asm. (inc. REF 63-70, 5)
9	1012	Nut, 1/2-13 Toplock	63	9926-2	Chassis, Speed Reducer
10	8389	Sprocket, 35P x 60T	64	9155	Nut, 5/8-11 Centerlock Jam
11	9085	Nut, 3/8-16 Toplock	65	9927	Jackshaft
12	8284	Wheel Asm. 6" (incl. REF 13)	66	5949	Spanner, 5/8 ID x 1-13/16"
13	5090	Bearing	67	6569	Sprocket, 35P x 18T
14	8283	Idle Wheel Asm. 6" (incl. REF 13)	68	1031	Key, 3/16 Sq. x 1/2" Long
15	8282	Front Wheel Asm. 5" (incl. REF 13)	69	1937	Spacer, 5/8 ID x 1/4"
16	1046	Nut, 5/8-11 Toplock	70	3504	Sprocket, 35P x 12T
ASM	4358	Tie Rod Asm. Short (incl. REF 17-21)	71	3363-2	Mounting Bracket, Chainguard
ASM	4359	Tie Rod Asm. Long (incl. REF 17-20, 22)	72	5135	Nut, Tinnerman
17	1414	Tie Rod End, RH Thread	73	9734	Chainguard
18	9092	Nut, 3/8-24 Jam RH Thread	74	9104	Washer, #10 Flat
19	1415	Tie Rod End, LH Thread	75	6039	Washer, #10 Lock
20	9024	Nut, 3/8-24 Jam LH Thread	76	6046	Screw, #10-24 x 1/2"
21	4356	Tie Rod, Short	ASM	9799	Stop Switch Asm. (incl. REF 77-79)
22	5003	Tie Rod, Long	77	1392	Stop Switch
23	9145	Bolt, 3/8-16 x 1-3/4"	78	1393	Ring Terminal
24	9146	Bolt, 3/8-16 x 1-1/2"	79	1394	Wire, 50" w/Splice Connector
25	8021	Spindle, Right Side	80	1406	Wire w/ Blade Terminal
NI	8020	Spindle, Left Side	81	9796	Screw, 12-24 x 1/2" Self Tapping
26	1264	Bolt, 1/2-13 x 3-1/2"	82	6038	Steering Wheel
27	2024	Spacer, 5/8 ID x 1-1/2"	83	9080	Bolt, 1/4-20 x 2-3/4"
28	9110	Bolt, 3/8 x 7/8 Shldr., 5/16-18 x 5/8 Thd.	84	6572	Chain, #35 x 54P (incl. REF 86)
29	9160	Bolt, 1/4-20 x 7/8" Nylock	85	9978	Chain, #35 x 86P (incl. REF 86)
30	1847	Bolt, 1/4-20 x 1"	86	1269	Masterlink, #35 Chain
31	1189	Nut, 5/16-18 Toplock	87	8290-2	Front Bar
32	9057	Nut, 1/4-20 Toplock	88	8291-2	Center Bar
33	1389	Bushing	89	8292-2	Rear Upright
34	9502	Spring, Left Wound	90	8353-20	Rear bar
35	1437	Pedal, Throttle	91	8373	Seat Belt, Lap/Shoulder
36	1436	Pedal, Brake	92	8374	Seat Belt, Retractor
37	9503	Spring, Right Wound	93	8375	Seat Belt, Plastic Sleeve
38	1854	Washer, #14 Flat	94	8369	Headrest Pad
39	1848	Bolt, 1/4-20 x 1-1/4"	ASM	8452	Foam Replacement Kit (incl. REF 95-98)
40	8392-2	Brake Rod	95	9759B	Foam, Black 30"
41	1036	Brake Band w/Retainer	96	8368Y	Foam, Yellow 24"
42	9118	Clevis Pin	97	8367Y	Foam, Yellow 15.5"
43	9116	Cotter Pin	98	8366Y	Foam, Yellow 12.5"
44	1390	Throttle Cable w/Housing (incl. REF 45)	99	1628	Throttle Cable Retainer
45	9058	Nut, 5/16-24 Jam	100	1018	Cable Stop
46	9189	Bolt, 1/4-20 x 7/8" Whiz Flange	101	9188	Bolt, 1/2-13 x 1-1/4"
47	1876	Bolt, 1/4-20 x 5/8" Whiz Flange	102	9022	Washer, 1/2 Flat
48	9122	Bolt, 5/16-18 x 1-1/4"	103	2386	Bolt, 3/8-16 x 3-1/2"
49	2388	Nut, 3/8-24	104	9006	Bolt, 1/4-20 x 1/2"
50	1463	Bushing, Insulating	105	1849	Bolt, 1/4-20 x 1-1/2"
51	1263	Nut, 5/16-18 Whiz Flange	106	2264	Bolt, 5/16-18 x 3/4"
52	9186	Bolt, 5/16-18 x 1-1/2"	107	6540	Decal, Warning: Wear Helmet
53	1194	Washer, 3/4 ID x 1/8"	108	9679	Decal, Warning: No Riders Allowed
54	9060	Washer, 5/16 Flat	109	1019	Ty-Wrap
55	8139	Bolt, 5/16-24 x 1"	110	9677	Decal, Warning: Hot Surfaces

REPAIR PARTS - MODEL 415-271

REF NO.	PART NO.	DESCRIPTION	REF NO.	PART NO.	DESCRIPTION
111	9678	Decal, Warning: Engine Exhaust	119	4504	Decal, Yellow Warning
112	5964	Decal, Warning: Engine Oil	120	8399	Decal, Warning: Seat Belt
113	6791	Decal, Oil Clutch Here	121	8381	Decal, Made in America
114	8398	Decal, Tire Pressure	122	8138	Decal, Warning: Entanglement
115	4912	Decal, Warning: Guard Must Be...	123	8186	Washer, .391 ID x 1-1/4 OD x 1/8"
116	1049	Decal, Caution: Drive Cover	NI	4350/S	Operator's Manual English/Spanish
117	8371	Decal, Floor Pan Rattler	NI	9282R1	Assembly Instructions
118	8393	Decal, Rattler Logo	NI	2684D	Engine Operator's Manual

ASM = Assembly
NI = Not Illustrated

