

Operator's Manual  
SUPPLEMENT  
Model No. 405X-1

**⚠ WARNING:**

Read Engine  
Owner's Manual,  
Vehicle Operator's  
Manual, and  
Supplement  
Carefully Before  
Operating Vehicle.

Parts List

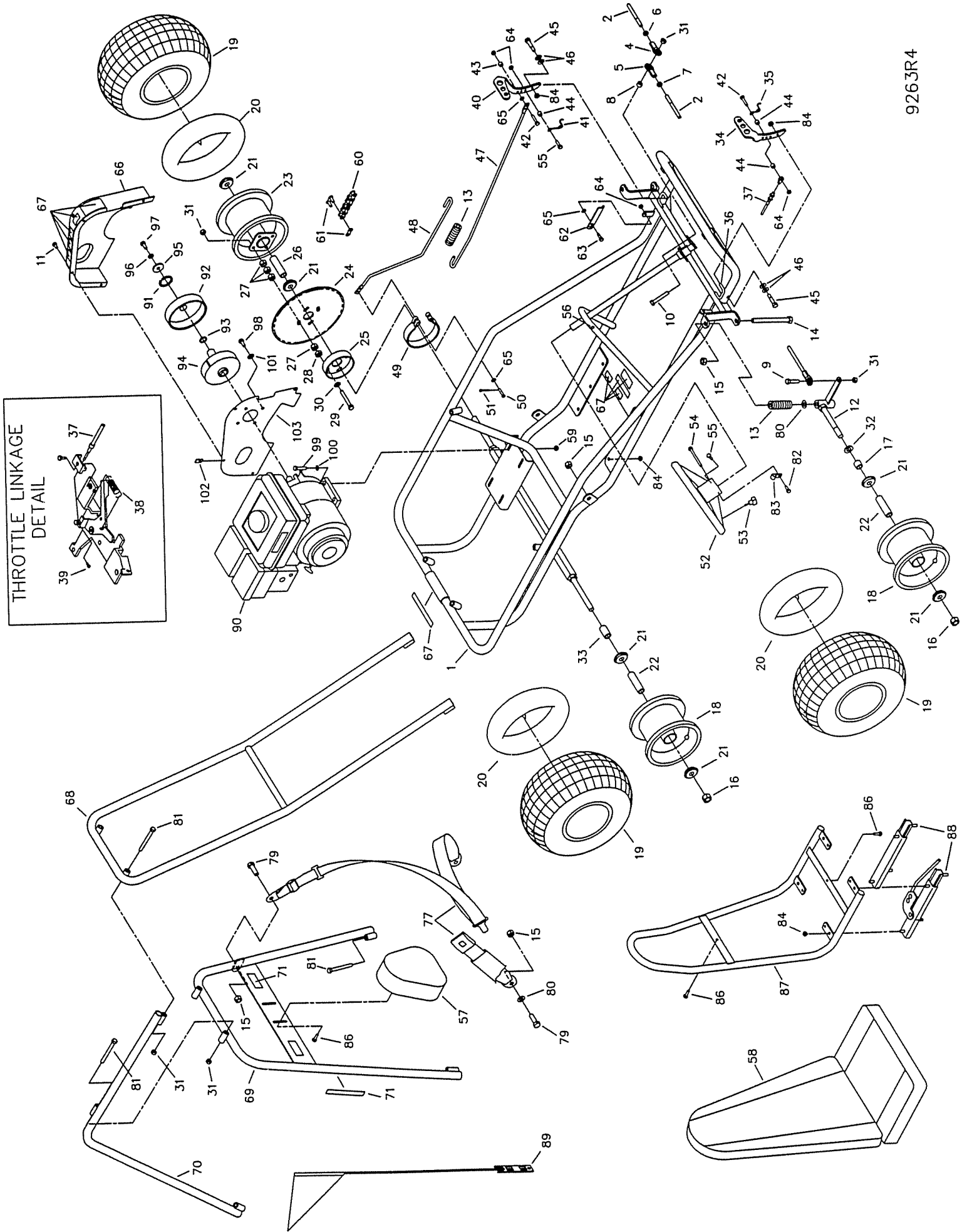


4404 Engle Ridge Drive, Fort Wayne, IN 46804  
ph (219) 432-1596      fx (219) 432-7870

**THIS VEHICLE IS FOR  
OFF-ROAD USE ONLY**

BEFORE OPERATING THIS VEHICLE, THE OWNER AND/OR OPERATOR MUST UNDERSTAND THE VEHICLE WAS NOT DESIGNED OR MANUFACTURED TO MEET SPECIFICATIONS FOR USE ON STREETS, HIGHWAYS, OR THOROUGHFARES AND HAVE READ AND HAVE AN UNDERSTANDING OF ALL THE INSTRUCTIONS FOR SAFE ASSEMBLY AND OPERATION AS WELL AS THE INSTRUCTIONS GOVERNING THE ENGINE AND OTHER PORTIONS OF THE VEHICLE.

THROTTLE LINKAGE  
DETAIL



PARTS LIST MODEL 405X-1

REF	PN	DESCRIPTION
77	8373	SEAT BELT - SHOULDER/LAP
78	-----	
79	9188	BOLT, 1/2-13 X 1.50
80	9022	WASHER, 1/2 FLAT
81	2386	BOLT, 3/8-16 X 3.50
82	5287	BOLT #10-16 X .375 SELF TAPPING
83	5288	WIRE CLAMP
84	1189	NUT, 5/16-18 HEX TOPLOCK
85	-----	
86	5839	BOLT 1/4-20 X .75 HEX FLANGED WHIZ
87	11646-2	SEAT FRAME WELDMENT BLACK
88	6734	SEAT SLIDE PR - SHORT
89	8445	FLAG SAFETY W/ BRKT 3FT
90	12247	ENGINE 5HP OHC
ASM	4335	CLUTCH .75ID 35 X 12 TEETH (INCL. 91-94)
91	3141	RETAINING RING
92	4491	DRUM/SPROCKET/BUSHING ASSEMBLY
93	3146	FIBER WASHER
94	4496	CLUTCH ROTOR (WEIGHT ASSEMBLY)
95	1398	WASHER, 21/64 ID X 1 1/4 X 1/8
96	1124	WASHER, 5/16 SPLIT LOCK
97	1491	BOLT, 5/16-24 X .750
98	9101	BOLT, 5/16-24 X .500 W/ NYLOK
99	9186	BOLT, 5/16-18 X 1.500
100	9030	WASHER, 5/16 INT/EXT LOCK
101	9060	WASHER, 5/16 FLAT
102	8227	NUT, 1/4-20 TINNERMAN
103	10749-2	PLATE, COVER 415 BLACK
NI	8746M	VIDEO TAPE SAFETY MANCO
NI	1019	CABLE TIE
NI	11863	OWNERS/OPERATORS MANUAL - FUN KART

REF	PN	DESCRIPTION
36	9929	RUBBER CAP .25ID X .25 BLACK
37	8251	THROTTLE CABLE 70.875 INCH
38	12348	RETURN SPRING
39	12347	SWIVEL SCREW FOR ROBIN
40	6293-16	PEDAL, BRAKE TRIMMED
41	9502	SPRING, PEDAL LEFT WOUND
42	1848	BOLT, 1/4-20 X 1.25
43	6349	BUSHING, 5/16 OD X 22G
44	1389	BUSHING, 1/4 ID X .313
45	1447	BOLT, 3/8 X 1-1/8 SHOULDER
46	9091	WASHER, FLAT 3/8 SAE N
47	9945-2	BRAKE ROD - FRONT BLACK
48	12257-2	BRAKE ROD - REAR BLACK
49	1036	BRAKE BAND W/RETAINER
50	9118	PIN, CLEVIS 1/4 X 1.250 Z
51	9116	PIN, COTTER 3/32 X .750 Z
52	6038	STEERING WHEEL
53	9799	STOP SWITCH WIRE ASM
NI	12273	WIRE HARNESS
54	9080	BOLT, 1/4-20 X 2.750
55	9160	BOLT, 1/4-20 X .875
56	9796	BOLT, #12-24 X .500 SELF TAPPING
57	6320	HEADREST PAD
58	11636	SEAT - BACK/BOTTOM SGL BLK
59	1263	NUT 5/16-18 HEX FLANGED WHIZ
60	9978	CHAIN, 35 X 86P (INCL. 61)
61	1269	MASTERLINK 35 CHAIN
62	1982-2	PEDAL LATCH, BLACK
63	1846	BOLT, 1/4-20 X .750
64	9057	NUT, 1/4-20 TOPLOCK
65	1854	WASHER, #14 FLAT MS Z
66	10750	COVER, 415 W/&W/O SR
67	11329	DECAL SHEET, ENGINE & MAIN FRAME WARNINGS
68	10536-2	OVERHEAD BAR WELDMENT BLACK
69	10543-2	CENTER BAR WELDMENT BLACK
70	10541-2	REAR BAR WELDMENT BLACK
71	11330	DECAL SHEET, CENTER BAR WARNINGS
72	-----	
73	-----	
74	-----	
75	-----	
76	-----	

REF	PN	DESCRIPTION
1	12275-5	FRAME WELDMENT, RED
ASM	10897	TIE ROD ASM (INCL. 2, 4-7)
2	10896	TIE ROD 10.25
3	-----	
4	1415	TIE ROD END LH THREAD
5	1414	TIE ROD END RH THREAD
6	9024	NUT, 3/8-24 JAM LH THREAD
7	9092	NUT, 3/8-24 JAM RH THREAD
8	9674-16	SPACER, 3/8 ID X 3/8 LONG
9	9146	BOLT, 3/8-16 X 1.50
10	9158	BOLT, 3/8-16 X 2.25
11	9006	BOLT, 1/4-20 X .50 HEX FLANGED WHIZ
NI	10548-2Z	SPINDLE WELDMENT LEFT BLACK
12	10549-2Z	SPINDLE WELDMENT RIGHT BLACK
13	9709	COMPRESSION SPRING
14	5682	BOLT, 1/2-13 X 5.500
15	1012	NUT, 1/2-13 TOPLOCK
16	1046	NUT, 5/8-11 TOPLOCK
17	1104	SPACER SPLIT .8120D .625ID 1.000L
18	9309FP	WHEEL ASSEMBLY, IDLE (INCL. 19-22)
ASM	10769	WHEEL ASSEMBLY, DRIVE (INCL. 20-21, 23-31)
19	4915	TIRE 145/70 X 6" KNOBBY
20	3802	INNER TUBE 6"
21	5090	BEARING, 5/8" I.D.
22	5950	SPANNER, 5/8" I.D. X 2-1/8"
23	8499B	TIRE & DRIVE WHEEL ASSEMBLY 145/70 X 6"
24	9986	SPROCKET 35P X 80 TEETH
25	1246-16	BRAKE DRUM, 4"
26	8598	SPANNER, 5/8 I.D. X 3.641
27	8409	NUT, 1/2-20 HEX
28	9169	NUT, 1/2-20 HEX JAM
29	9190	BOLT, 3/8-16 X 3-1/4
30	9091	WASHER, FLAT 3/8 SAE N
31	9085	NUT, 3/8-16 TOPLOCK HEX
32	1119	SPACER .625ID 1.0620D .125THK Z
33	2024-16	SPACER .875OD .625ID 1.500L Z
34	6309-16	PEDAL, THROTTLE TRIMMED
35	9503	SPRING, PEDAL RIGHT WOUND

ASM - ASSEMBLY  
NI - NOT ILLUSTRATED