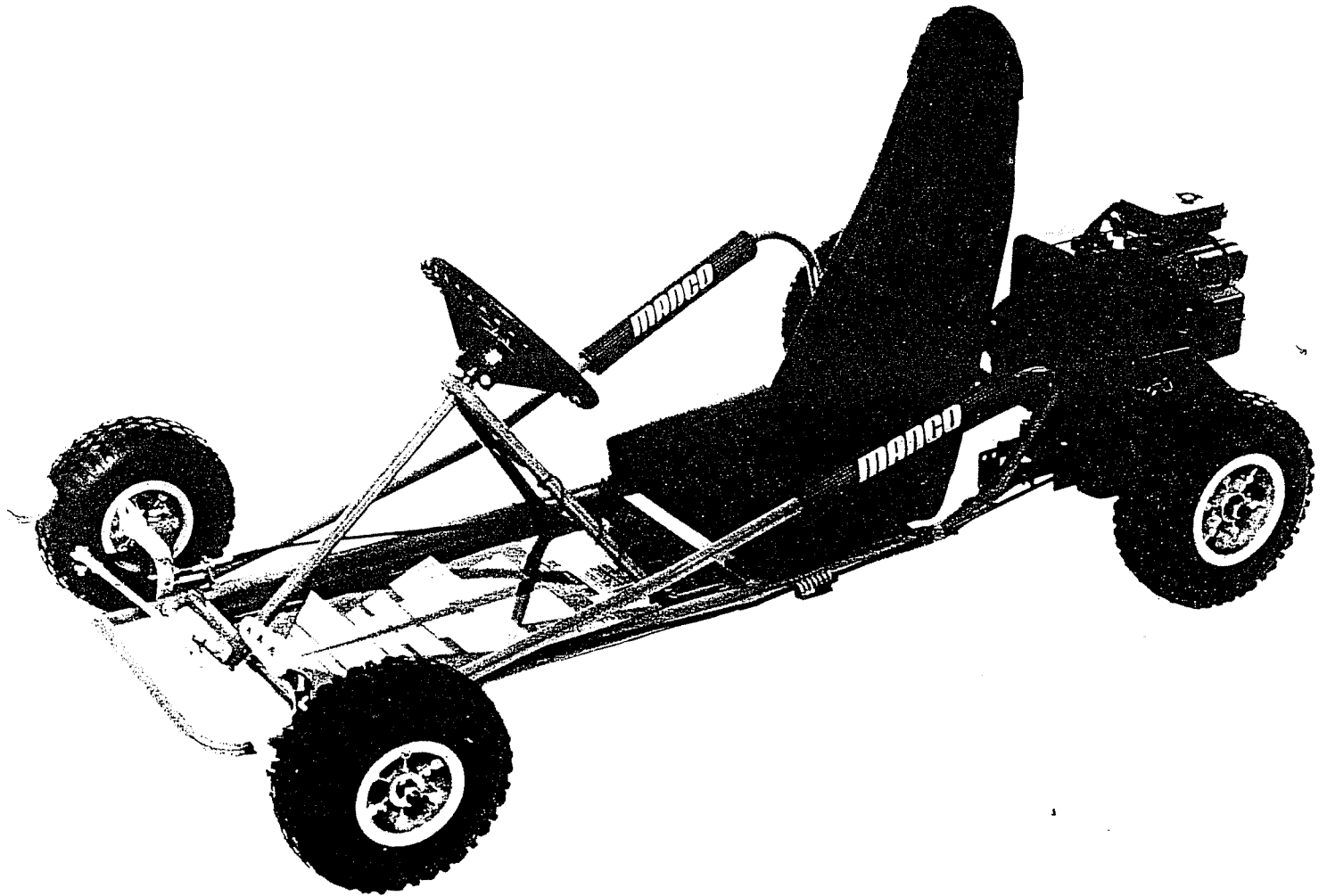


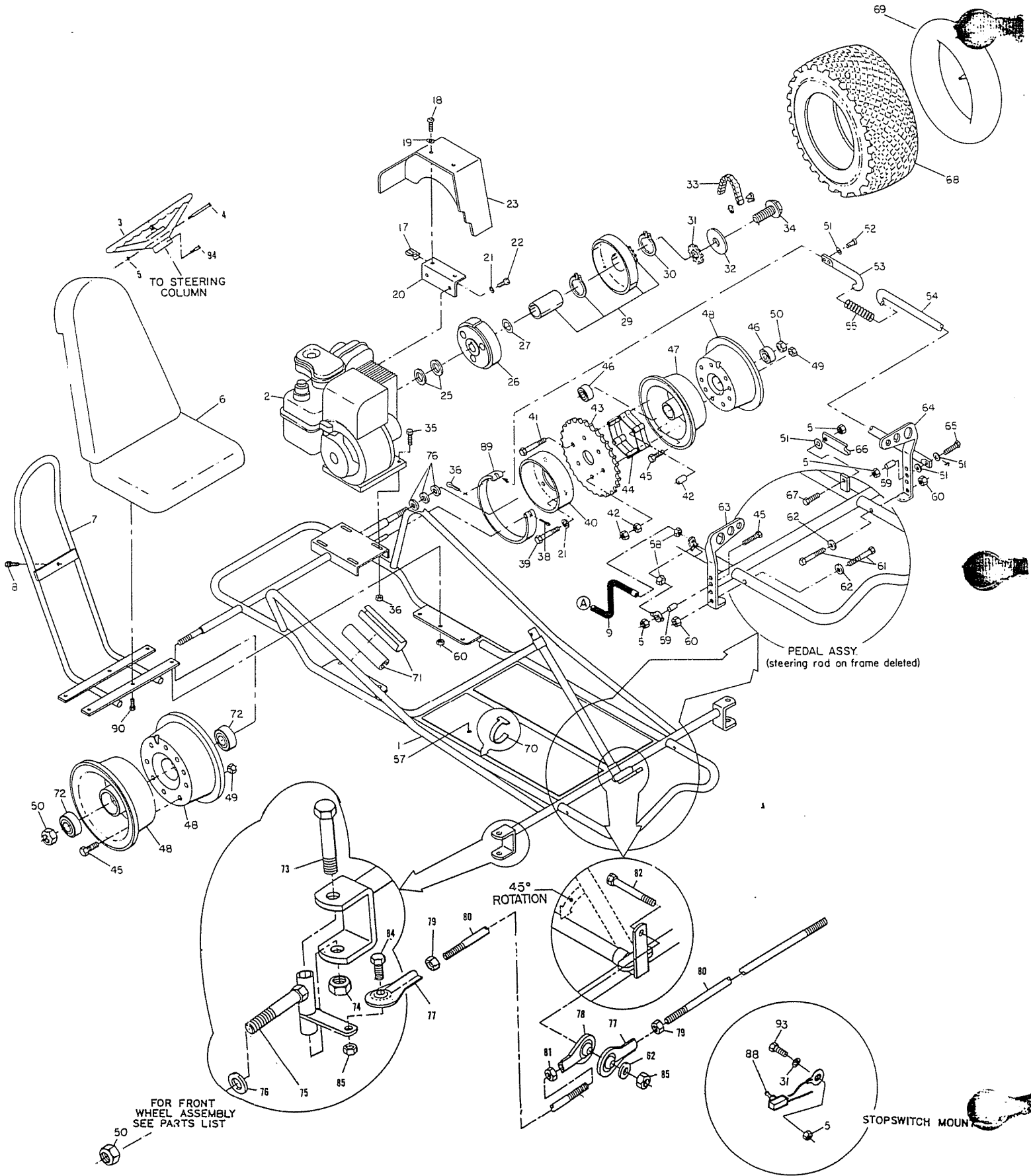
# Operator's Manual SUPPLEMENT

MANCO MODEL NO.  
403-00



***MANCO***  
***PRODUCTS, INC.***

4404 Engle Ridge Drive Ft. Wayne, Indiana 46804 219-432-1596



# REPAIR PARTS

Model 403-00

REF. NO.	PART NO.	DESCRIPTION	REF. NO.	PART NO.	DESCRIPTION
1	3344-19	Frame	58	9058	5/16-24 Hex Jam Nut
2	8049	Engine	59	1389	Bushing
3	6038	Steering Wheel	60	1189	5/16-18 Hex Locknut
4	9080	1/4-20 x 2 3/4 Hex Cap Screw	61	9110	3/8 Shoulder Bolt
5	9057	1/4-20 Hex Toplock Nut	62	9091	3/8 Std. Flat Washer
6	4324	Seat	63	8011	Throttle Pedal
7	3347-2	Seat Frame	64	8009	Brake Pedal
8	9006	1/4-20 x 1/2 Hex Fl. Whizlock Screw	65	1848	1/4-20 x 1 1/4 Hex Cap Screw
9	1390	Throttle Cable	66	1982	Pedal Latch
NI	1628	Cable Retainer	67	1845	1/4-20 x 5/8 Hex Cap Screw
11		Not Used	68	2246	Tire 4.10 x 3.50 x 5
12		Not Used	69	1753	Innertube 4.10 x 3.50 x 5
13		Not Used	70	1019	Tywrap
14		Not Used	71	6126	Arm Pad
15		Not Used	72	1419	Bearing
16		Not Used	73	1264	1/2-13 x 3 1/2 Hex Cap Screw
17	5135	#10-24 Tinnerman Nut	74	1012	1/2-13 Hex Toplock Nut
18	6046	#10-24 x 1/2 Truss Head Screw	75	8021	R.H. Spindle
19	6039	Lock Washer	NI	8020	L.H. Spindle
20	3363-2	Chainguard Bracket	76	1650	3/8 I.D. Flat Washer
21	9030	3/8 Int. Tooth Lockwasher	77	1415	Rod End, L.H.
22	9101	5/16-24 x 1/2 Nylock Hex Cap Screw	78	1414	Rod End, R.H.
23	3362	Chainguard	79	9024	3/8-24 L.H. Hex Jam Nut
24		Not Used	80	4352	Tie Rod
25	1168	3/4 I.D. Washer	81	9092	3/8-24 R.H. Hex Jam Nut
26	4496	Clutch Center	82	9158	3/8-16 x 2 1/4 Hex Cap Screw
27	3146	Fiber Washer	83		Not Used
28		Not Used	84	9146	3/8-16 x 1 1/2 Hex Cap Screw
29	4491	Drum With Sprocket	85	9085	3/8-16 Toplock Hex Nut
30	3141	Shaft Snap Ring	86		Not Used
ASM	4335	Clutch (inc. ref. #26-30)	87		Not Used
31	5732	1/4 Int/Ext Lockwasher	88	4419	Stopswitch/Wire
32	1943	Fender Washer	89	1036	Brake Band
33	8050	Chain	90	1876	1/4-20 x 3/8 Whiz Screw
34	5733	1/4-28 x 3/4 Hex Fl. Whizlock Screw	93		Not Used
35	1122	5/16-18 x 1 1/2 Hex Cap Screw	94	9160	1/4-20 x 1 Hex Cap Screw w/Nylock
36	1263	5/16-18 Hex Fl. Whizlock Nut	NI	1053	4" Inner Tube
37		Not Used	NI	2244	4.10-3.50 x 4 Knobby Tire
38	9116	3/32 Dia. x 3/4 Lg. Cotter Pin	NI	5158	Wheel Half, 4"
39	9051	5/16-18 x 3 Hex Cap Screw	NI	1846	1/4-20 x 3/4 HCS
40	1246	Brake Drum	NI	6237	Finger Guard
41	9151	5/16-18 x 2 1/4 Hex Cap Screw	ASM	4338	Drive Wheel (inc. ref. #21, 39-49, 68, 69)
42	9123	3/8-24 Hex Nut			
43	8007	Sprocket	ASM	2247	Non-Drive Wheel (inc. ref. #45, 48, 49, 68, 69, 72)
44	8008	Sprocket Spacer			
45	5839	1/4-20 x 3/4 Hex Cap Screw	ASM	2243	Front Wheel (inc. ref. #45, 49, 72 and NI part nos. 1053, 2244, and 5158)
46	1093	Bearing			
47	8006	Wheel Half, 5" Tapped	ASM	4355	Tie Rod (inc. ref. #78-82)
48	8004	Wheel Half, 5" Untapped			
49	1186	1/4-20 Hex Whizlock Nut			
50	1046	5/8-11 Hex Locknut	NI = Not Illustrated		
51	1854	1/4 Std. Flat Washer	ASM = Assembly		
52	9118	1/4 Dia. x 1 1/4 Lg. Clevis Pin			
53	4351	Brake Rod, Rear			
54	2377	Brake Rod, Front			
55	5681	Compression Spring			
56		Not Used			
57	4342	Decal			