

# Operator's Manual SUPPLEMENT

MANCO MODEL NO.  
390-00

**WARNING:**  
Read Engine  
Owner's Manual,  
Vehicle Operator's  
Manual, and  
Supplement  
Carefully Before  
Operating  
Vehicle.

Parts List

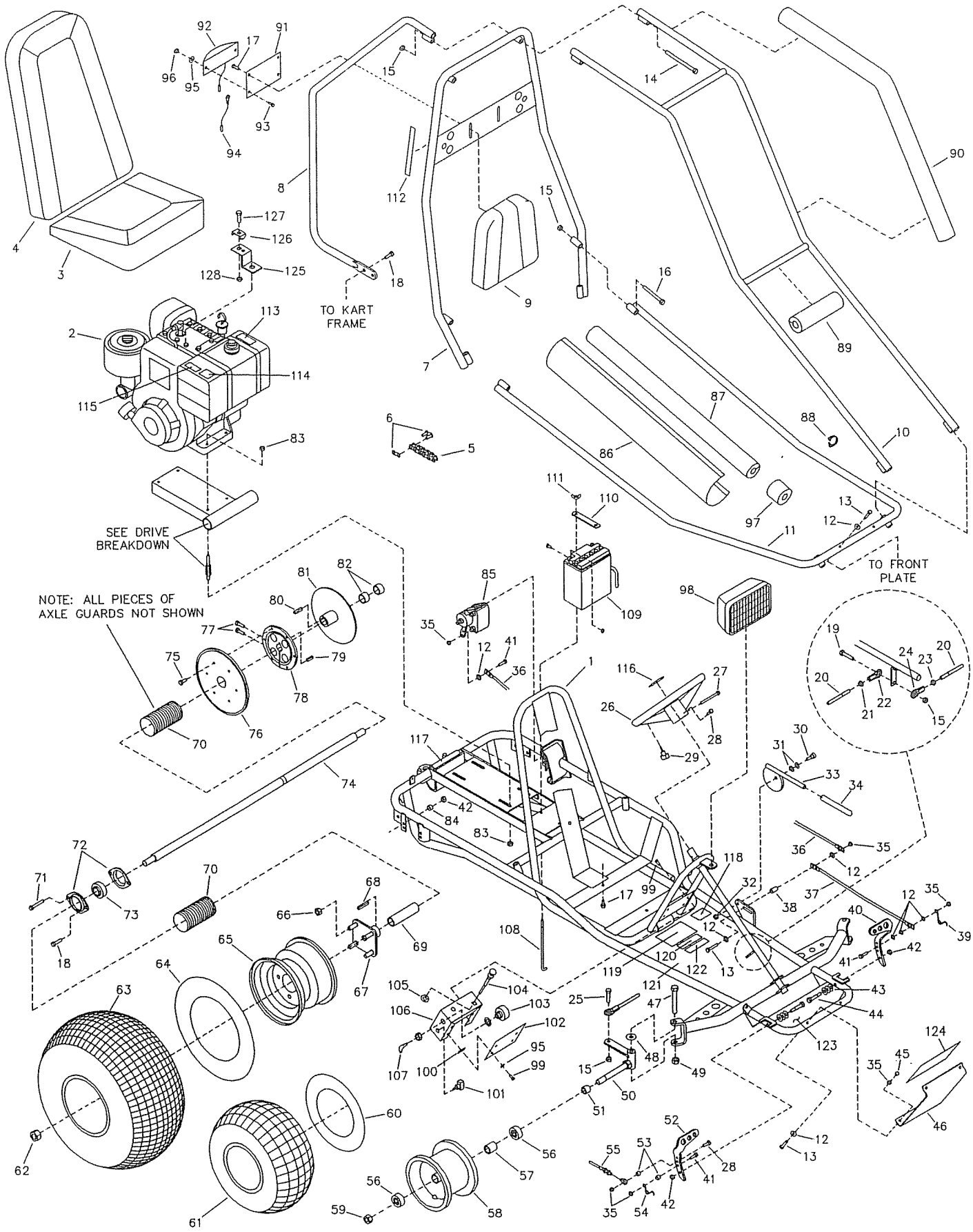


***MANCO***  
***PRODUCTS, INC.***

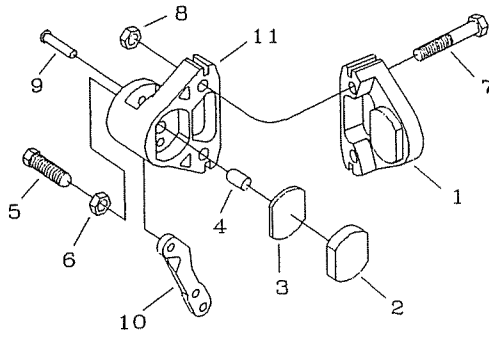
4404 Engle Ridge Drive Ft. Wayne, Indiana 46804 219-432-1596

**THIS VEHICLE IS FOR  
OFF-ROAD USE ONLY**

BEFORE OPERATING THIS VEHICLE, THE OWNER AND/OR OPERATOR MUST UNDERSTAND THE VEHICLE WAS NOT DESIGNED OR MANUFACTURED TO MEET SPECIFICATIONS FOR USE ON PUBLIC ROADS, STREETS, HIGHWAYS, OR THOROUGHFARES AND HAVE READ AND HAVE AN UNDERSTANDING OF ALL THE INSTRUCTIONS FOR SAFE ASSEMBLY AND OPERATION AS WELL AS THE INSTRUCTIONS GOVERNING THE ENGINE AND OTHER PORTIONS OF THE VEHICLE.

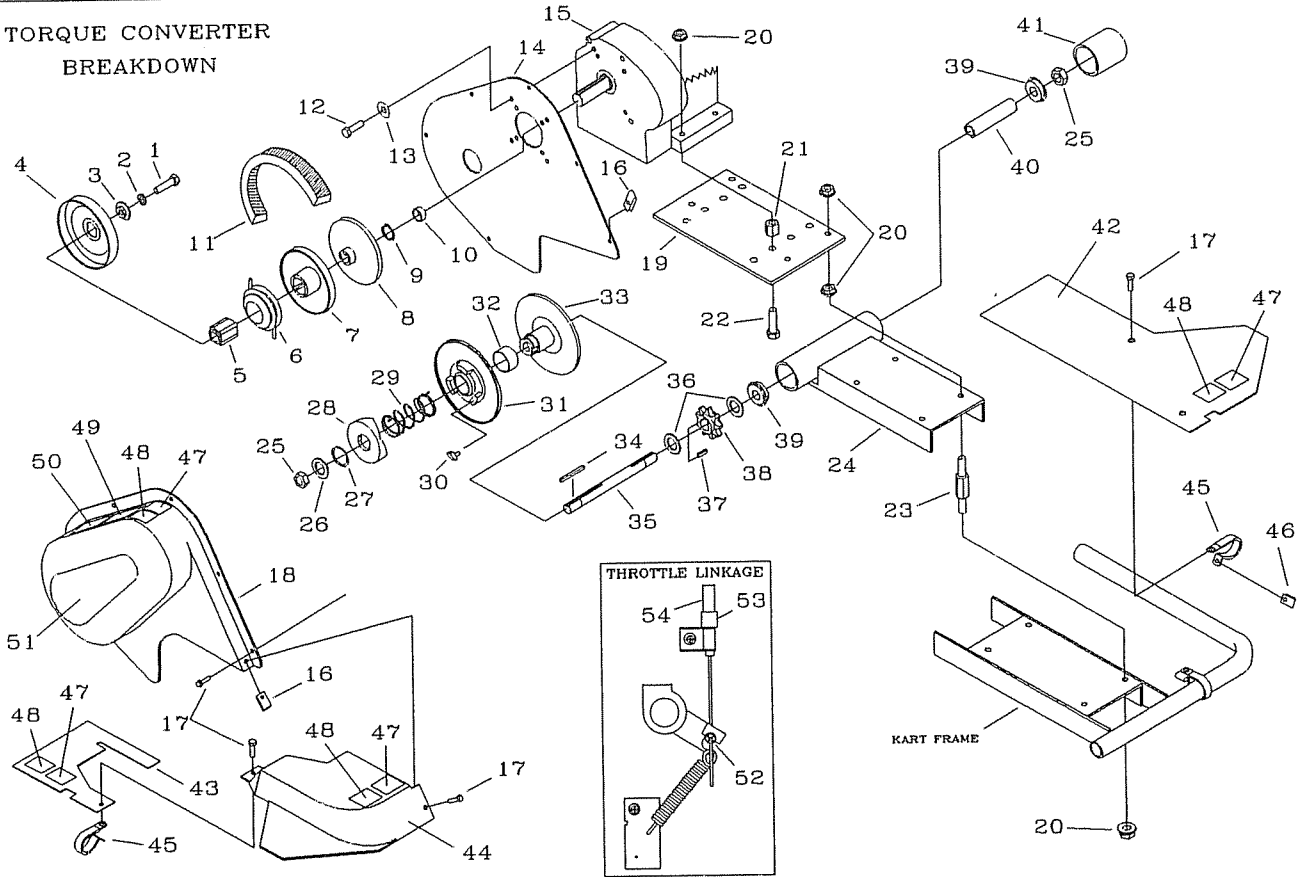


### CALIPER BREAKDOWN



REF. NO	PART NO	DESCRIPTION
ASM	8197	Brake Caliper (incl. 1-11)
ASM	9810	Brake Pad Svc Kit (incl. 1-3)
1	*	Anvil w/Lining
2	*	Brake Lining
3	3928	Backing Plate
4	3930	Actuator Pin
5	3931	Adjuster Pin
6	3932	Nut, Jam
7	9158	Bolt, 3/8-16 x 2-1/4"
8	9085	Nut, 3/8-16 Toplock
ASM	6534	MB-1 Service Kit (incl. 9-11)
9	*	Groove Pin
10	*	Lever
11	*	Brake Housing

### TORQUE CONVERTER BREAKDOWN



REF. NO	PART NO	DESCRIPTION
1	8203	Bolt, 3/8-24 x 1-3/4"
2	1130	Washer, 3/8 Split Lock
3	2468	Washer, Pilot
ASM	8190	Driver Pulley Assembly (incl. REF. 4-8)
4	*	Drum
5	*	Hub
6	*	Shoe Assembly
7	*	Moveable Sheave
8	*	Stationary Sheave
9	3887	Spacer, 1" ID x 1/16
10	4914	Spacer, 1" ID x 9/16
11	8192	Belt, Asymmetrical
12	9101	Bolt, 5/16-24 x 1/2"
13	9060	Washer, 5/16 Plain
14	8200	Cover Panel
15	8189	Engine, 10hp Tecumseh
16	2449	Nut, Tinnerman
17	9006	Bolt, 1/4-20 x 1/2" Whiz Flange
18	8199	Cover
19	8214-2	Adapter Plate
20	1263	Nut, 5/16-18 Flange

REF. NO	PART NO	DESCRIPTION
21	8206	Nut, 1/2-20 High
22	9127	Bolt, 5/16-18 X 2-1/4"
23	8205	Stud
24	8209-2	Chassis
25	9155	Nut, 5/8-11 Jam
26	8193	Washer, Cup
ASM	8191	Driven Pulley Assembly (incl. REF. 27-33)
27	2477	Retaining Ring
28	*	Cam
29	6805	Spring
30	6804	Button, Nylon
31	*	Moveable Sheave
32	*	Bushing
33	*	Stationary Sheave
34	3403	Key, 3/16sq x 2"
35	8219	Jackshaft
36	1119	Spacer, 5/8ID x 1/8"
37	1031	Key, 3/16sq x 1/2"
38	1125S	Sprocket, 9T #420
39	5090	Bearing
40	2430	Spanner

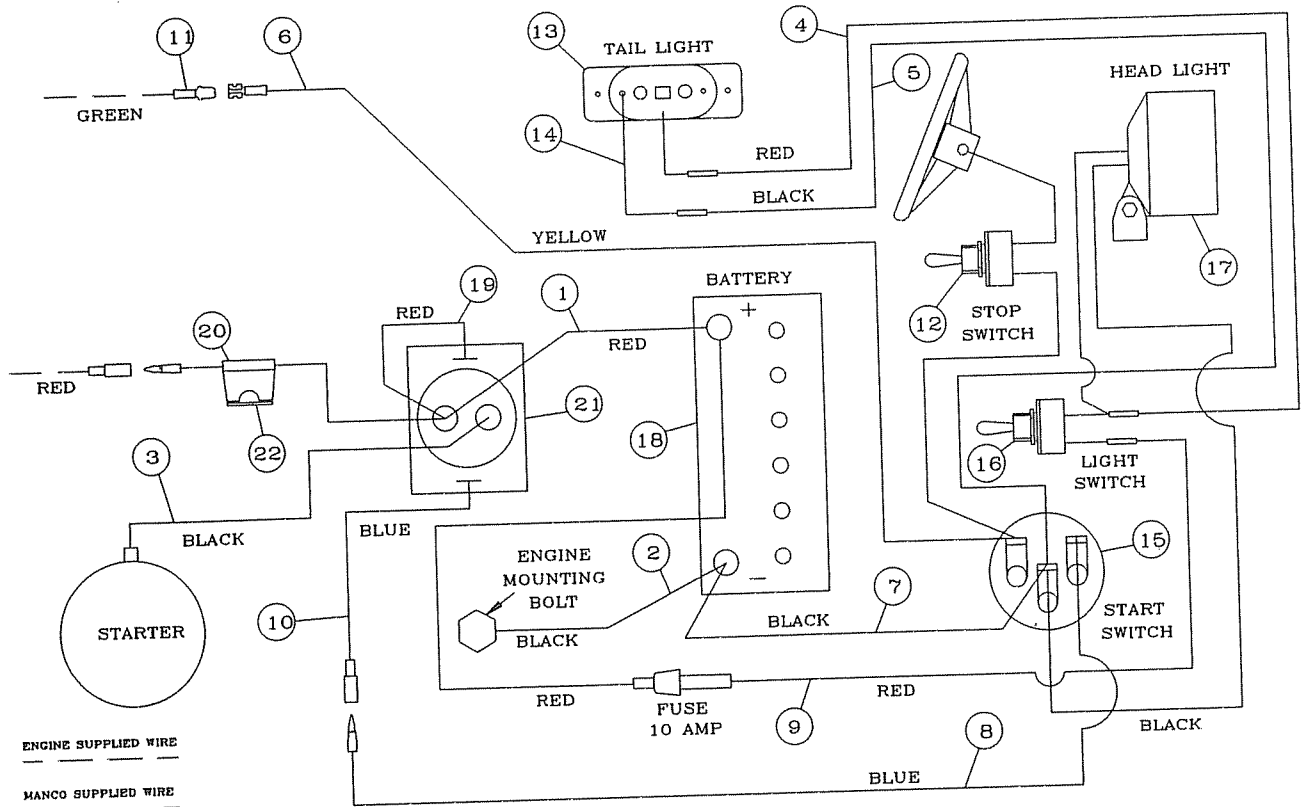
REF. NO	PART NO	DESCRIPTION
41	8194	Cap, Plastic
42	8265	Right Deck Cover
43	8260	Left Deck Cover
44	8259	Caliper Cover
45	8266	Loop Clip
46	8227	Clip Nut
47	1049	Decal, Caution
48	4912	Decal, Warning: Guard...
49	8138	Decal, Warning: Entanglement
50	6958	Decal, Tire Pressure
51	8225	Decal, TAV Cover
NI	9677	Decal, Warning: Hot Surfaces
NI	9678	Decal, Warning: Eng. Exhaust
NI	5964	Decal, Oil Warning
<b>Throttle Linkage Illustration</b>		
52	1018	Cable Stop and Swivel Screw
53	1628	Cable Retainer
54	9345	Throttle Cable

\* = Not Available Separately

ASM = Assembly

NI = Not Illustrated

# WIRING DIAGRAM



REF NO.	PART NO.	DESCRIPTION	REF NO.	PART NO.	DESCRIPTION
1	3611	Battery Cable, Red 9 in.	13	6508	Tail Light Assembly
2	3610	Battery Cable, Black 9 in.	14	6319	Wire, Taillight Ground
3	6516	Battery Cable, Black 9 in.	15	6344	Start Switch
ASM	9376P	Wiring Harness (incl. 4-9)	16	6391	Light Switch Assembly
4	9379	Wire, Taillight/Light Switch (Red)	17	6364	Headlight Assembly
5	9381	Wire, Taillight/Switch (Black)	NI	2964	Headlight Bulb
6	9383	Wire, Engine/Switch (Yellow)	18	3633	Battery
7	6386	Wire, Batt Gnd/Switch (Black)	19	2093	Solenoid Jumper Wire Assembly
8	9385	Wire, Solenoid/Switch (Blue)	20	8216	Fuse Assembly, 15 Amp
9	9377	Wire, Solenoid/Light Switch (Red)	21	2084	Solenoid
10	8281	Start Wire Adapter	22	8202	Fuse, 15 Amp
11	8108	1/4" Male Tab Terminal	NI	9389	Fuse, 10 Amp
NI	6505	Poly Loom 43"	NI	PX2304	Screw, 1/4 x 5/8 Self Tapping
NI	6897	Poly Loom 28"			
NI	6763	Poly Loom "Tee"			
NI	6813	Poly Loom "Outlet"			
12	6394	Stop Switch Assembly			

NI = Not Illustrated  
 ASM = Assembly

## REPAIR PARTS - 390-00

REF. NO.	PART NO.	DESCRIPTION	REF. NO.	PART NO.	DESCRIPTION
1	8195-2	Frame	67	1557	Wheel Hub w/Studs
2	8189	Engine, 10hp Tecumseh	68	6123	Key, 1/4 sq. x 1-3/4"
3	5160	Seat Bottom	69	4660	Spacer, 1" ID x 4-7/16"
4	5159	Seat Back	70	K389-12	Axle Guard Repair Kit
5	9343	Chain, 420 x 71 Links (incl. 6)	71	6573	Bolt, 5/16-18 x 1-3/4"
6	2037	Master Link, 420 Chain	72	6617	Bearing Flange
7	9522-2	Center Bar	73	3941	Bearing, 1" ID
8	9527-2	Rear Bar	74	8223	Axle Shaft
9	6320	Headrest	ASM	6420	Sprocket Asm. (incl. 75-78)
10	9525-2	Overhead Bar	75	9006	Bolt, 1/4-20 x 1/2" Flanged Whiz
11	9524-2	Front Bar	76	6282	Sprocket, 420 x 54 Teeth
12	1854	Washer, No. 14 Flat	77	6701	Bolt, 5/16 x 1-1/4" Socket Head
13	1849	Bolt, 1/4-20 x 1-1/2"	78	6280	Sprocket Hub
14	6452	Bolt, 3/8-16 x 5"	79	9680	Key, 1/4 x 3/8 x 1-1/4"
15	9085	Nut, 3/8-16 Toplock	80	1775	Key, 1/4 sq. x 1-1/4"
16	2386	Bolt, 3/8-16 x 3-1/2"	81	6314	Brake Rotor
17	5839	Bolt, 1/4-20 x 3/4" Flanged Whiz	82	2265	Spacer, 1" ID x 3/4"
18	9176	Bolt, 5/16-18 x 1"	83	1263	Nut, 5/16-18 Flanged Whiz
19	9145	Bolt, 3/8-16 x 1-3/4"	84	9674	Spacer, 3/8 ID x 3/8"
ASM	6430	Tie Rod Asm. (incl. 20-24)	85	8197	Brake Caliper Asm.
20	6431	Tie Rod	86	9856	Custom Cover
21	9092	Nut, 3/8-24 RH Jam	87	9759B	Foam, 30" Black
22	1414	Rod End - RH	88	9777	Plastic Hose Clamp, 7/8" ID
23	9024	Nut, 3/8-24 LH Jam	89	9808B	Foam, 10" Black
24	1415	Rod End - LH	90	9758B	Foam, 43" Black
25	9146	Bolt, 3/8-16 x 1-1/2"	91	6305-2	Tail Light Bracket
26	6038	Steering Wheel	92	6508	Tail Light Assembly
27	9080	Bolt, 1/4-20 x 2-3/4"	93	9106	Bolt, #10-32 x 1/2"
28	9160	Bolt, 1/4-20 x 7/8" Nylock	94	6319	Tail Light Ground Wire
29	9799	Stop Switch Assembly	95	6039	Washer, #10 Internal Lock
NI	1406	Wiring Harness	96	6193	Nut, #10-32 Acorn
30	9172	Bolt, 3/8 x 1/4 Shoulder	97	6383	End Cap
31	6441	Washer, 3/8 ID Spring	98	6364	Headlight Assembly
32	6440	Nut, 5/16-18 Jam	99	6046	Bolt, #10-24 x 1/2"
33	6773-2	Parking Brake Handle	100	5135	Nut, #10 Tinnerman
34	6442	Brake Handle Cover	101	6391	Light Switch Assembly
35	9057	Nut, 1/4-20 Toplock	102	9528-2	Cover Plate
36	8215-2	Rear Brake Rod	103	6344	Start Switch w/Key
37	9638-2	Front Brake Rod	104	9344	Choke Cable
38	9869	Spacer, 1/4 ID x 5/16 OD x 5/8"	105	6353	Washer, Square Hole
39	9502	Spring, Left Wound	106	6296-2	Control Box
40	1436	Pedal, Brake	107	2290	Ignition Key
41	1847	Bolt, 1/4-20 x 1"	108	9430	Battery Hold Down Rod
42	1189	Nut, 5/16-18	109	3633	Battery
43	9091	Washer, 3/8 Flat	110	9642-2	Battery Clamp Bar
44	1447	Pedal Bolt	111	9468	Nut, #10-32 Nylock Wing
45	1443	Nut, 1/4-20 Acorn	112	6540	Decal, Warning: Wear Helmet
46	6395-2	Front Plate	113	9677	Decal, Warning: Hot Surfaces
47	1264	Bolt, 1/2-13 x 3-1/2"	114	9678	Decal, Warning: Engine Exhaust
48	9022	Washer, 1/2 Flat	115	5964	Decal, Oil Warning
49	1012	Nut, 1/2-13 Toplock	116	1689	Decal, Steering Wheel
50	2457	Spindle, Right	117	2873	Decal, Trailer Load
NI	2458	Spindle, Left	118	8138	Decal, Warning: Entanglement
51	5157	Spacer, 5/8 ID x 3/4"	119	4504	Decal, Yellow Warning
52	1437	Pedal, Throttle	120	2832	Decal, No Passengers
53	1389	Bushing, 1/4 ID x 5/16"	121	6605	Decal, Floor Pan
54	9503	Spring, Right Wound	122	8153	Decal, Age Restriction
55	9345	Throttle Cable	123	1441	Decal, Front Floor Pan
56	5090	Bearing, 5/8 ID	124	1688	Decal, Front Plate
57	5950	Spanner, 5/8 ID x 2-1/8"	125	8250	Choke Cable Bracket
58	9309FP	Wheel Assembly, Front	126	9394	Choke Cable Clamp
59	1046	Nut, 5/8-11 Toplock	127	1846	Bolt, 1/4-20 x 3/4"
60	3802	Inner Tube, 6"	128	1186	Nut, 1/4-20
61	4915	Tire, 145/70 x 6 Knobby	NI	9247R4	Assembly Instructions
62	9162	Nut, 3/4-10 Toplock	NI	6477	Dingo Operator's Manual
ASM	1412	Wheel Asm, Rear (incl. 63-65)	NI	8220	Tecumseh Engine Manual
63	1452	Tire, 22 x 11 - 8 Tubeless			
64	1430	Inner Tube, 8" (Repair Part Only)			
65	1451	Wheel Rim, 8"			
66	1428	Nut, 1/2-13 Cone Wheel			

ASM = Assembly  
NI = Not Illustrated