

# Operator's Manual SUPPLEMENT

MANCO MODEL NO.  
388-38

**WARNING:**  
Read Engine  
Owner's Manual,  
Vehicle Operator's  
Manual, and  
Supplement  
Carefully Before  
Operating  
Vehicle.

Parts List



***MANCO***  
***PRODUCTS, INC.***

4404 Engle Ridge Drive Ft. Wayne, Indiana 46804 219-432-1596

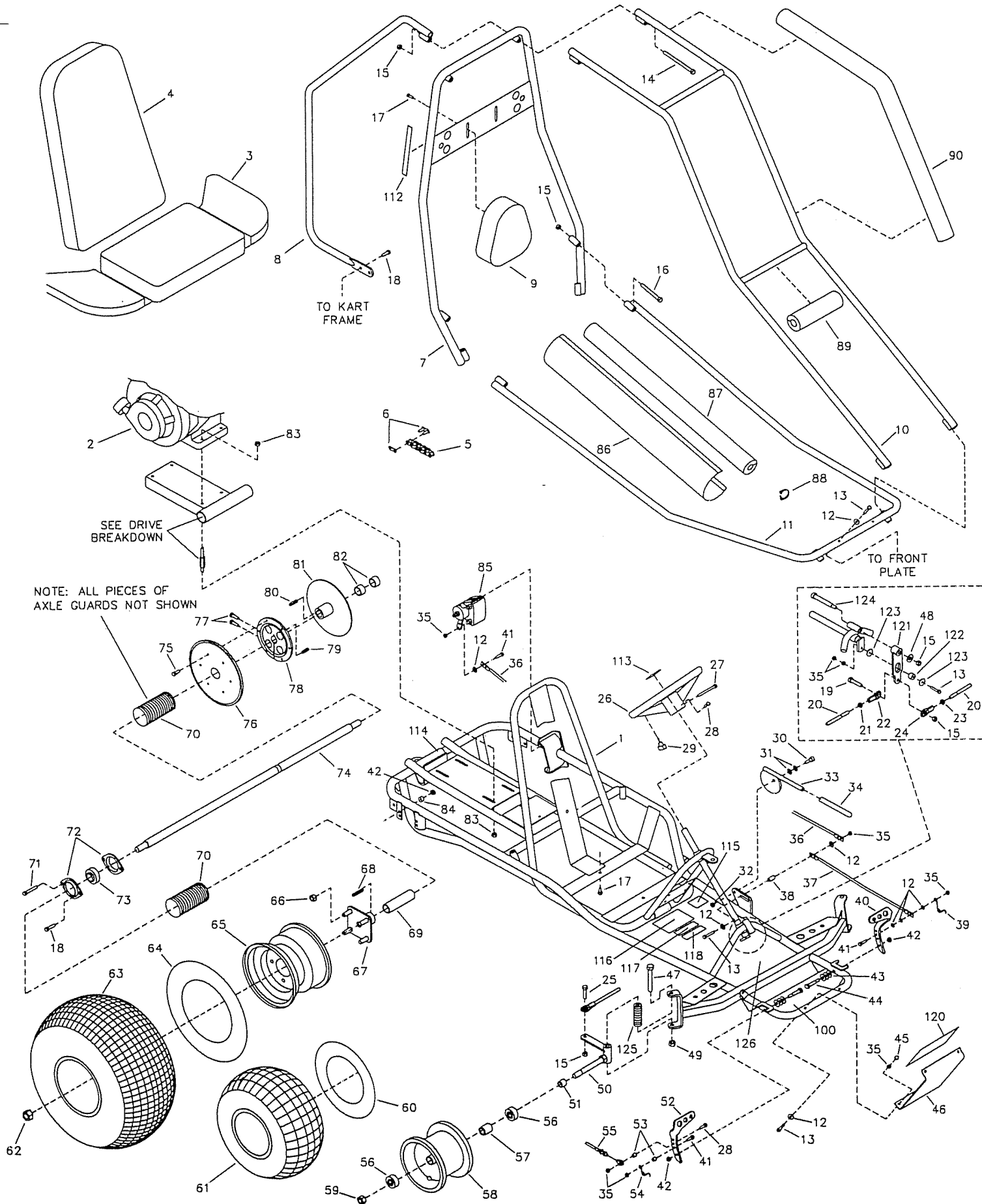
**THIS VEHICLE IS FOR  
OFF-ROAD USE ONLY**

BEFORE OPERATING THIS VEHICLE, THE OWNER AND/OR OPERATOR MUST UNDERSTAND THE VEHICLE WAS NOT DESIGNED OR MANUFACTURED TO MEET SPECIFICATIONS FOR USE ON PUBLIC ROADS, STREETS, HIGHWAYS, OR THOROUGHFARES AND HAVE READ AND HAVE AN UNDERSTANDING OF ALL THE INSTRUCTIONS FOR SAFE ASSEMBLY AND OPERATION AS WELL AS THE INSTRUCTIONS GOVERNING THE ENGINE AND OTHER PORTIONS OF THE VEHICLE.

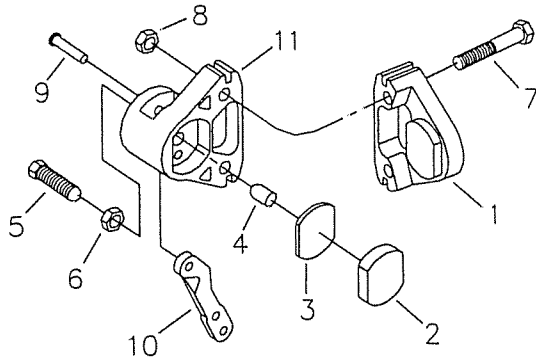
## REPAIR PARTS - 388-38

| REF. NO. | PART NO. | DESCRIPTION                       | REF. NO. | PART NO. | DESCRIPTION                                |
|----------|----------|-----------------------------------|----------|----------|--|
| 1        | 8694-2   | Frame - Black                     | 69       | 4660     | Spacer, 1" ID x 4-7/16"                    |
| 2        | 8196     | Engine, 8HP Tecumseh              | 70       | K388-38  | Axle Guard Repair Kit                      |
| 3        | 5160     | Seat Bottom                       | 71       | 6573     | Bolt, 5/16-18 x 1-3/4"                     |
| 4        | 8748     | Seat Back                         | 72       | 6617     | Bearing Flange                             |
| 5        | 9343     | Chain, 420 x 72 Links (incl. 6)   | 73       | 3941     | Bearing, 1" ID                             |
| 6        | 2037     | Master Link, 420 Chain            | 74       | 8223H    | Axle Shaft                                 |
| 7        | 9522-2   | Center Bar                        | ASM      | 6420     | Sprocket Asm. (incl. 75-78)                |
| 8        | 9527-2   | Rear Bar                          | 75       | 9006     | Bolt, 1/4-20 x 1/2" Flanged Whiz           |
| 9        | 6320     | Headrest                          | 76       | 6282     | Sprocket, 420 x 54 Teeth                   |
| 10       | 9525-2   | Overhead Bar                      | 77       | 6701     | Bolt, 5/16 x 1-1/4" Socket Head            |
| 11       | 9524-2   | Front Bar                         | 78       | 6280     | Sprocket Hub                               |
| 12       | 1854     | Washer, No. 14 Flat               | 79       | 9680     | Key, 1/4 x 3/8 x 1-1/4"                    |
| 13       | 1849     | Bolt, 1/4-20 x 1-1/2"             | 80       | 1775     | Key, 1/4 sq. x 1-1/4"                      |
| 14       | 6452     | Bolt, 3/8-16 x 5"                 | 81       | 6314H    | Brake Rotor                                |
| 15       | 9085     | Nut, 3/8-16 Toplock               | 82       | 2265     | Spacer, 1" ID x 3/4"                       |
| 16       | 2386     | Bolt, 3/8-16 x 3-1/2"             | 83       | 1263     | Nut, 5/16-18 Flanged Whiz                  |
| 17       | 5839     | Bolt, 1/4-20 x 3/4" Flanged Whiz  | 84       | 9674     | Spacer, 3/8 ID x 3/8"                      |
| 18       | 9176     | Bolt, 5/16-18 x 1"                | 85       | 8197     | Brake Caliper Asm.                         |
| 19       | 9145     | Bolt, 3/8-16 x 1-3/4"             | 86       | 9856     | Arm Pad Cover                              |
| ASM      | 6430     | Tie Rod Asm. (incl. 20-24)        | 87       | 9759B    | Foam, 30" Black                            |
| 20       | 6431     | Tie Rod                           | 88       | 9777     | Plastic Hose Clamp, 7/8" ID                |
| 21       | 9092     | Nut, 3/8-24 RH Jam                | 89       | 9808B    | Foam, 10" Black                            |
| 22       | 1414     | Rod End - RH                      | 90       | 9758B    | Foam, 43" Black                            |
| 23       | 9024     | Nut, 3/8-24 LH Jam                | 91       | ---      |  |
| 24       | 1415     | Rod End - LH                      | 92       | ---      |  |
| 25       | 9146     | Bolt, 3/8-16 x 1-1/2"             | 93       | ---      |  |
| 26       | 6038     | Steering Wheel                    | 94       | ---      |  |
| 27       | 9080     | Bolt, 1/4-20 x 2-3/4"             | 95       | ---      |  |
| 28       | 9160     | Bolt, 1/4-20 x 7/8" Nylock        | 96       | ---      |  |
| 29       | 9799     | Stop Switch Assembly              | 97       | ---      |  |
| 30       | 9172     | Bolt, 3/8 x 1/4 Shoulder          | 98       | ---      |  |
| 31       | 6441     | Washer, 3/8 ID Spring             | 99       | ---      |  |
| 32       | 6440     | Nut, 5/16-18 Jam                  | 100      | ---      |  |
| 33       | 6773-2   | Parking Brake Handle              | 101      | ---      |  |
| 34       | 6442     | Brake Handle Cover                | 102      | ---      |  |
| 35       | 9057     | Nut, 1/4-20 Toplock               | 103      | ---      |  |
| 36       | 8215-2   | Rear Brake Rod                    | 104      | ---      |  |
| 37       | 8715-2   | Front Brake Rod                   | 105      | ---      |  |
| 38       | 9869     | Spacer, 1/4 ID x 5/16 OD x 5/8"   | 106      | ---      |  |
| 39       | 9502     | Spring, Left Wound                | 107      | ---      |  |
| 40       | 1436     | Pedal, Brake                      | 108      | ---      |  |
| 41       | 1847     | Bolt, 1/4-20 x 1"                 | 109      | ---      |  |
| 42       | 1189     | Nut, 5/16-18 Toplock              | 110      | ---      |  |
| 43       | 9091     | Washer, 3/8 Flat                  | 111      | ---      |  |
| 44       | 1447     | Pedal Bolt                        | NI       | 9677     | Decal, Warning: Hot Surfaces (on engine)   |
| 45       | 1443     | Nut, 1/4-20 Acorn                 | NI       | 9678     | Decal, Warning: Engine Exhaust (on engine) |
| 46       | 6395-2   | Front Plate - Black               | NI       | 5964     | Decal, Oil Warning (on engine)             |
| 47       | 5682     | Bolt, 1/2-13 x 5-1/2"             | 112      | 6540     | Decal, Warning: Wear Helmet                |
| 48       | 9022     | Washer, 1/2 Flat                  | 113      | 1689     | Decal, Steering Wheel                      |
| 49       | 1012     | Nut, 1/2-13 Toplock               | 114      | 2873     | Decal, Trailer Load                        |
| 50       | 2457     | Spindle, Right                    | 115      | 8138     | Decal, Warning: Entanglement               |
| NI       | 2458     | Spindle, Left                     | 116      | 4504     | Decal, Yellow Warning                      |
| 51       | 5157     | Spacer, 5/8 ID x 3/4"             | 117      | 2832     | Decal, No Passengers                       |
| 52       | 1437     | Pedal, Throttle                   | 118      | 8153     | Decal, Age Restriction                     |
| 53       | 1389     | Bushing, 1/4 ID x 5/16"           | 119      | 1441     | Decal, Front Floor Pan                     |
| 54       | 9503     | Spring, Right Wound               | 120      | 1688     | Decal, Front Plate                         |
| 55       | 9345     | Throttle Cable                    | 121      | 9834-2   | Steering Crank Weldment                    |
| 56       | 5090     | Bearing, 5/8 ID                   | 122      | 9873     | Cam Follower Bearing                       |
| 57       | 5950     | Spanner, 5/8 ID x 2-1/8"          | 123      | 9872     | Washer, 1/4 Flat                           |
| 58       | 9309FP   | Wheel Assembly, Front             | 124      | 9871     | Shoulder Bolt, 1/2 x 3"                    |
| 59       | 1046     | Nut, 5/8-11 Toplock               | 125      | 9709     | Compression Spring                         |
| 60       | 3802     | Inner Tube, 6"                    | NI       | 9247R4   | Assembly Instructions                      |
| 61       | 4915     | Tire, 145/70 x 6 Knobby           | NI       | 6477     | Dingo Operator's Manual                    |
| 62       | 9162     | Nut, 3/4-10 Toplock               | NI       | 8220     | Tecumseh Engine Manual                     |
| ASM      | 1412     | Wheel Asm, Rear (incl. 63-65)     |          |          |  |
| 63       | 1452     | Tire, 22 x 11 - 8 Tubeless        |          |          |  |
| 64       | 1430     | Inner Tube, 8" (Repair Part Only) |          |          |  |
| 65       | 1451     | Wheel Rim, 8"                     |          |          |  |
| 66       | 1428     | Nut, 1/2-13 Cone Wheel            |          |          |  |
| 67       | 1557     | Wheel Hub w/Studs                 |          |          |  |
| 68       | 6123     | Key, 1/4 sq. x 1-3/4"             |          |          |  |

ASM = Assembly  
NI = Not Illustrated

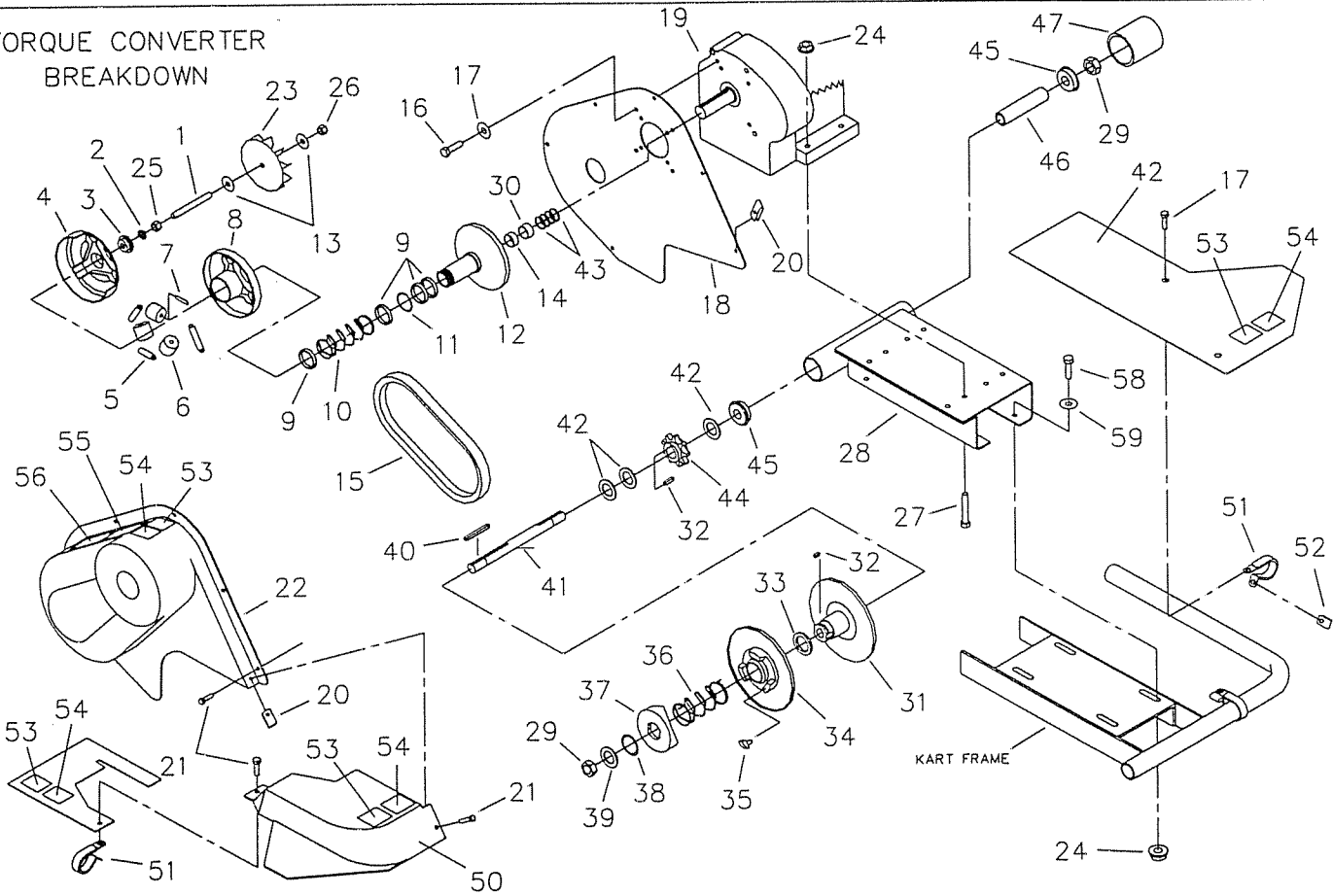


### CALIPER BREAKDOWN



| REF. NO | PART NO | DESCRIPTION                   |
|---------|---------|-------------------------------|
| ASM     | 8197    | Brake Caliper (incl. 1-11)    |
| ASM     | 9810    | Brake Pad Svc Kit (incl. 1-3) |
| 1       | *       | Anvil w/Lining                |
| 2       | *       | Brake Lining                  |
| 3       | 3928    | Backing Plate                 |
| 4       | 3930    | Actuator Pin                  |
| 5       | 3931    | Adjuster Pin                  |
| 6       | 3932    | Nut, Jam                      |
| 7       | 9158    | Bolt, 3/8-16 x 2-1/4"         |
| 8       | 9085    | Nut, 3/8-16 Toplock           |
| ASM     | 6534    | MB-1 Service Kit (incl. 9-11) |
| 9       | *       | Groove Pin                    |
| 10      | *       | Lever                         |
| 11      | *       | Brake Housing                 |

### TORQUE CONVERTER BREAKDOWN



| REF. NO | PART NO | DESCRIPTION                              |
|---------|---------|--|
| 1       | 8689    | Stud, 3/8-24 x 4-1/4"                    |
| 2       | 1130    | Washer, 3/8 Split Lock                   |
| 3       | 2468    | Washer, Pilot                            |
| ASM     | 2594    | Driver Pulley Assembly (incl. REF. 4-12) |
| 4       | *       | Cover and Drive Plate                    |
| 5       | 2472    | Extension Spring                         |
| 6       | 2470    | Cam Roller                               |
| 7       | 2471    | Spring Clip                              |
| 8       | *       | Moveable Face and Hub                    |
| 9       | 2474    | Guide Bushing                            |
| 10      | 2475    | Compression Spring                       |
| 11      | *       | Retaining Ring                           |
| 12      | *       | Fixed Face and Post                      |
| 13      | 9125    | Washer, 3/8 Flat                         |
| 14      | 1082    | Spacer, 1" ID x 7/16                     |
| 15      | 6814    | Belt, Symmetrical                        |
| 16      | 9101    | Bolt, 5/16-24 x 3/4"                     |
| 17      | 9060    | Washer, 5/16 Plain                       |
| 18      | 8745    | Cover Panel                              |
| 19      | 8196    | Engine, 8HP Tecumseh                     |
| 20      | 2449    | Nut, Tinnerman                           |
| 21      | 9006    | Bolt, 1/4-20 x 1/2" Whiz                 |
| 22      | 8739    | Cover Assembly                           |

| REF. NO | PART NO | DESCRIPTION                               |
|---------|---------|---|
| 23      | 8600    | Impeller                                  |
| 24      | 1263    | Nut, 5/16-18 Flange                       |
| 25      | 2388    | Nut, 3/8-24 Hex                           |
| 26      | 9123    | Nut, 3/8-24 Toplock Hex                   |
| 27      | 9186    | Bolt, 5/16-18 x 1-1/2"                    |
| 28      | 8908    | Chassis                                   |
| 29      | 9155    | Nut, 5/8-11 Jam                           |
| 30      | 4914    | Spacer, 1" ID x 9/16                      |
| ASM     | 8664    | Driven Pulley Assembly (incl. REF. 31-39) |
| 31      | *       | Fixed Face and Post                       |
| 32      | 1031    | Key, 3/16sq x 1/2"                        |
| 33      | 2483    | Spacer                                    |
| 34      | *       | Moveable Face and Cam                     |
| 35      | 2516    | Button Insert                             |
| 36      | 2480    | Torsion Spring                            |
| 37      | *       | Fixed Cam                                 |
| 38      | 2478    | Thrust Washer                             |
| 39      | 2477    | Retaining Ring                            |
| 40      | 3403    | Key, 3/16sq x 2"                          |
| 41      | 8854    | Jackshaft, 13.69"                         |
| 42      | 1119    | Spacer, 5/8ID x 1/8"                      |
| 43      | 3887    | Spacer, 1" ID x 1/16                      |
| 44      | 1125S   | Sprocket, 9T #420                         |

| REF. NO | PART NO | DESCRIPTION                  |
|---------|---------|------------------------------|
| 45      | 5090    | Bearing                      |
| 46      | 2430    | Spanner                      |
| 47      | 8194    | Cap, Plastic                 |
| 48      | 8443    | Right Deck Cover             |
| 49      | 8924    | Left Deck Cover              |
| 50      | 8923    | Caliper Cover - Left         |
| 51      | 8266    | Loop Clip                    |
| 52      | 8227    | Clip Nut                     |
| 53      | 1049    | Decal, Caution               |
| 54      | 4912    | Decal, Warning: Guard        |
| 55      | 8138    | Decal, Warning: Long Hair    |
| 56      | 6958    | Decal, Tire Pressure         |
| 57      | 8441    | Caliper Cover - Right        |
| 58      | 9176    | Bolt, 5/16-18 x 1"           |
| 59      | 9030    | Washer, 5/16 Int. Lock       |
| NI      | 9677    | Decal, Warning: Hot Surfaces |
| NI      | 9678    | Decal, Warning: Eng. Exhaust |
| NI      | 5964    | Decal, Oil Warning           |

\* = Not Available Separately  
 ASM = Assembly NI = Not Illustrated