

Operator's Manual SUPPLEMENT

MANCO MODEL NO.
385-00

WARNING:
Read Engine
Owner's Manual,
Vehicle Operator's
Manual, and
Supplement
Carefully Before
Operating
Vehicle.

Parts List

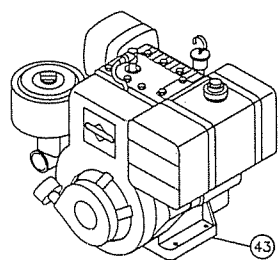
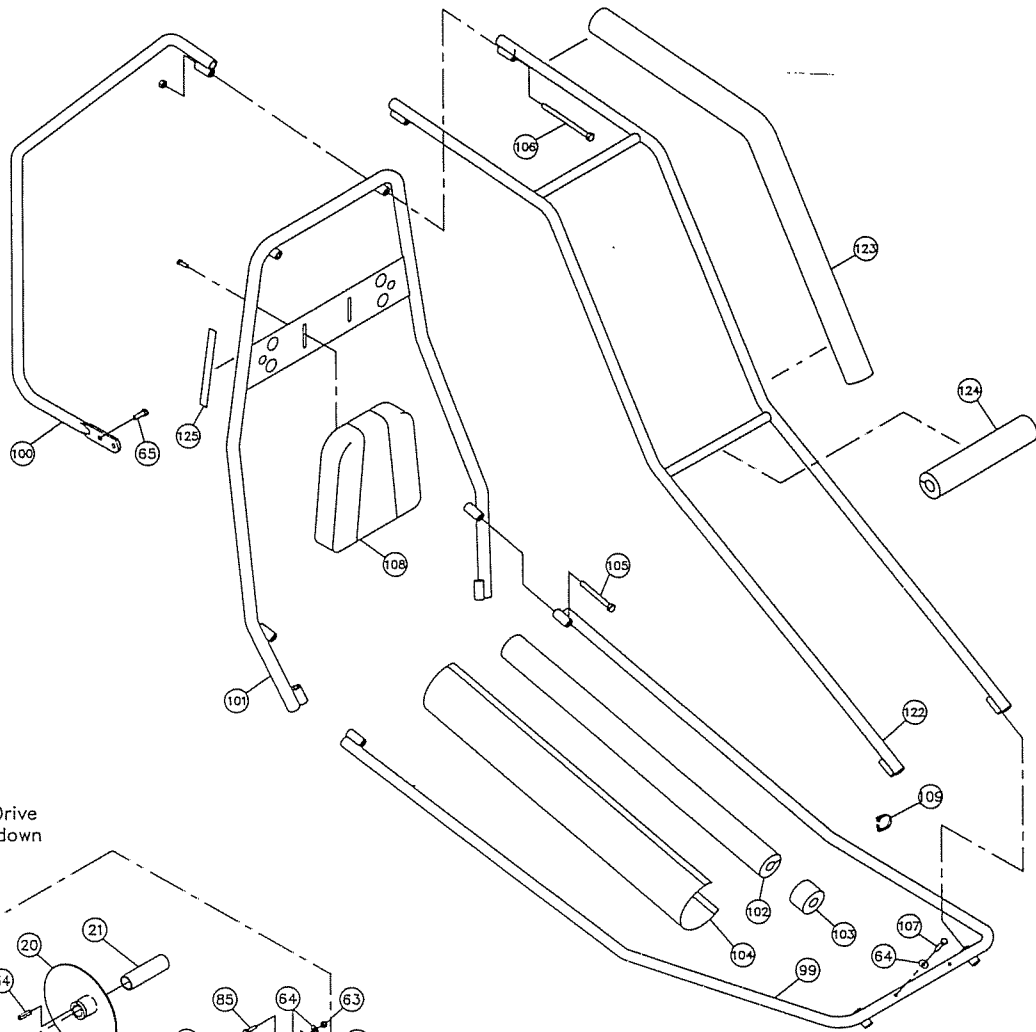
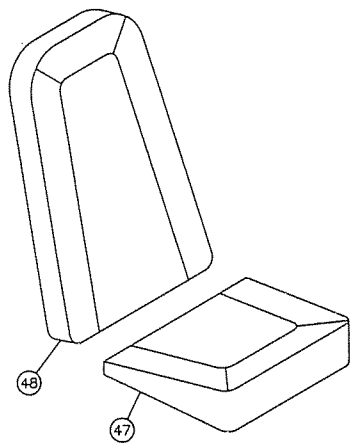


MANCO
PRODUCTS, INC.

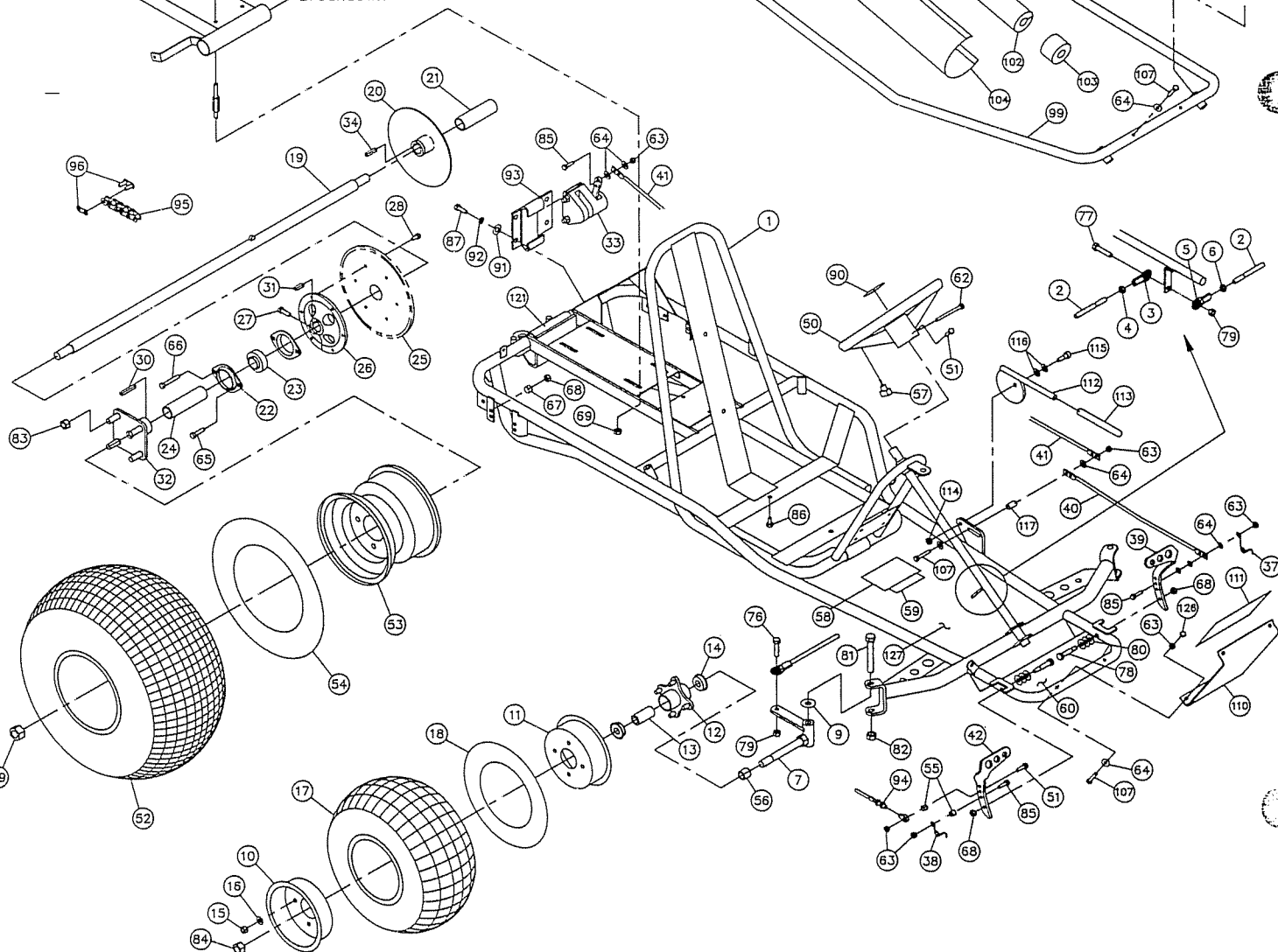
4404 Engle Ridge Drive Ft. Wayne, Indiana 46804 219-432-1596

**THIS VEHICLE IS FOR
OFF-ROAD USE ONLY**

BEFORE OPERATING THIS VEHICLE, THE OWNER AND/OR OPERATOR MUST UNDERSTAND THE VEHICLE WAS NOT DESIGNED OR MANUFACTURED TO MEET SPECIFICATIONS FOR USE ON PUBLIC ROADS, STREETS, HIGHWAYS, OR THOROUGHFARES AND HAVE READ AND HAVE AN UNDERSTANDING OF ALL THE INSTRUCTIONS FOR SAFE ASSEMBLY AND OPERATION AS WELL AS THE INSTRUCTIONS GOVERNING THE ENGINE AND OTHER PORTIONS OF THE VEHICLE.



See Drive Breakdown

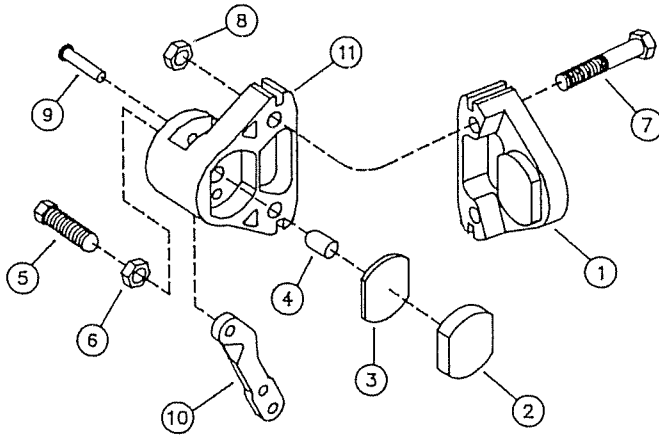


REPAIR PARTS - 385-00

REF. NO.	PART NO.	DESCRIPTION	REF. NO.	PART NO.	DESCRIPTION
	1	9640-2	66	6573	5/16-18 x 1-3/4 Hex Hd Cap Screw
ASM	6430	Tie Rod Assembly (incl. 2-6)	67	9674	Spacer 3/8"ID x 3/8
	2	6431	68	1189	5/16-18 Toplock Hex Nut
	3	1414	69	1263	5/16-18 Hex Flanged Whiz Nut
	4	9092	70	_____	_____
	5	1415	71	_____	_____
	6	9024	72	_____	_____
	7	2457	73	_____	_____
	8	2458	74	_____	_____
	9	9022	75	_____	_____
ASM	9309FP	Wheel Assembly, Front (incl. 10-18)	76	9146	3/8-16 x 1-1/2 Hex Hd Cap Screw
	10	4925-2	77	9145	3/8-16 x 1-3/4 Hex Hd Cap Screw
	11	4926-2	78	1447	Pedal Bolt
	12	9487-2	79	9085	3/8-16 Toplock Hex Nut
	13	5950	80	9091	3/8" Flat Washer
	14	5090	81	1264	1/2-13 x 3-1/2 Hex Hd Cap Screw
	15	2388	82	1012	1/2-13 Toplock Hex Nut
	16	1130	83	1428	1/2-13 Cone Wheel Nut
	17	4915	84	1046	5/8-11 Toplock Hex Nut
	18	3802	85	1847	1/4-20 x 1 Hex Hd Cap Screw
	19	9694	86	5839	1/4-20 x 3/4 Flanged Whiz Screw
	20	6314	87	2264	5/16-18 x 3/4 Hex Hd Cap Screw
	21	6783	88	_____	_____
	22	6617	89	_____	_____
	23	3941	90	1689	Steering Wheel Decal
	24	4660	91	9060	5/16 Flat Washer
ASM	6420	Sprocket Assembly (incl. 25-28)	92	1124	5/16 Split Lock Washer
	25	6282	93	6490-2	Caliper Mounting Bracket
	26	6280	94	9345	Throttle Cable
	27	6701	95	9343	Chain, 420 x 72 Links (incl. 96)
	28	1876	96	2037	420 Masterlink
	29	9162	97	_____	_____
	30	6123	98	_____	_____
	31	9680	99	9524-2	Front Bar Weldment
	32	1557	100	9527-2	Rear Bar Weldment
	33	9597	101	9522-2	Center Bar Weldment
	34	1775	102	9759B	Foam, 30" Black
	35	_____	103	_____	_____
	36	_____	104	9856	Custom Cover
	37	9502	105	2386	3/8-16 x 3-1/2 Hex Hd Cap Screw
	38	9503	106	6452	3/8-16 x 5 Hex Hd Cap Screw
	39	1436	107	1849	1/4-20 x 1-1/2 Hex Hd Cap Screw
	40	9638-2	108	6320	Headrest
	41	9639-2	109	9777	Plastic Hose Clamp - 7/8"ID
	42	1437	110	6395-2	Front Plate
	43	9644	111	1688	Decal, Front Plate
	44	_____	112	6773-2	Parking Brake Handle
	45	_____	113	6442	Brake Handle Cover
	46	_____	114	6440	5/16-18 Hex Jam Nut
	47	5160	115	9172	3/8 x 1/4 Shoulder Bolt
	48	5159	116	6441	3/8"ID Spring Washer
	49	_____	117	9869	Spacer, 5/16"ID x 5/18"
	50	6038	118	_____	_____
	51	9160	119	_____	_____
ASM	1412	Wheel Assembly, Rear (incl. 52-54)	120	_____	_____
	52	1452	121	2873	Decal, Trailer Load
	53	1451	122	9525-2	Overhead Bar Weldment
	54	1430	123	9758B	Foam, 43" Black
	55	1389	124	9808B	Foam, 10" Black
	56	5157	125	6540	Decal, Helmet Warning
	57	6394	126	1443	1/4-20 Hex Acorn Nut
	58	4504	NI	9247R1	Assembly Instructions
	59	2832	NI	9201	Dingo Owner's Manual
	60	1441	NI	9675	Honda 5.5-HP Engine Manual
	61	_____			
	62	9080			
	63	9057			
	64	1854			
	65	9176			

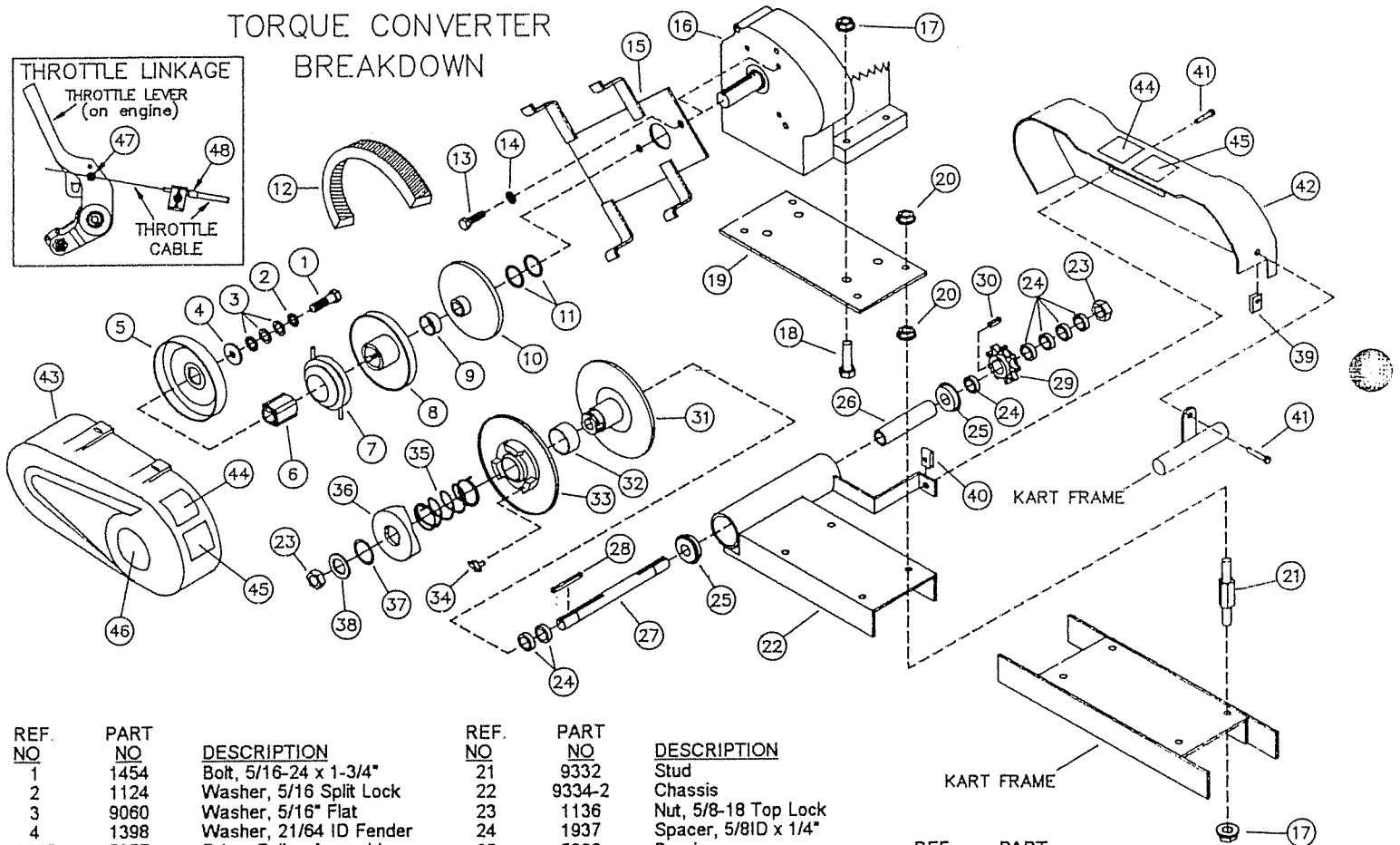
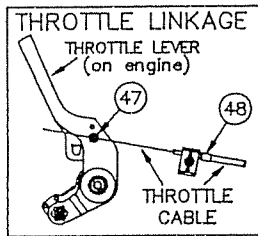
ASM = Assembly
NI = Not Illustrated

CALIPER BREAKDOWN



REF. NO	PART NO	DESCRIPTION
ASM	9597	Brake Caliper (incl. 1-11)
ASM	9810	Brake Pad Svc Kit (incl. 1-3)
1	*	Anvil w/Lining
2	*	Brake Lining
3	3928	Backing Plate
4	3930	Actuator Pin
5	3931	Adjuster Pin
6	3932	Nut, Jam
7	9158	Bolt, 3/8-16 x 2-1/4"
8	9085	Nut, 3/8-16 Toplock
ASM	6534	MB-1 Service Kit (incl. 9-11)
9	*	Groove Pin
10	*	Lever
11	*	Brake Housing

TORQUE CONVERTER BREAKDOWN



REF. NO	PART NO	DESCRIPTION
1	1454	Bolt, 5/16-24 x 1-3/4"
2	1124	Washer, 5/16 Split Lock
3	9060	Washer, 5/16" Flat
4	1398	Washer, 21/64 ID Fender
ASM	5957	Driver Pulley Assembly (incl. REF. 5-10)
5	*	Drum
6	*	Hub
7	*	Shoe Assembly
8	*	Moveable Sheave
9	200349	Bushing
10	*	Stationary Sheave
11	1168	Washer, 3/4 ID Steel
12	5959	Belt, Asymmetrical
13	9101	Bolt, 5/16-24 x 1/2"
14	9030	Washer, 5/16 Interlock
15	9629-2	Mounting Bracket
16	9644	Engine, 5.5hp Honda
17	1263	Nut, 5/16-18 Flange
18	9186	Bolt, 5/16-18 1-1/2"
19	9636-2	Adapter Plate
20	9192	Nut, 3/8-16 Whiz Flange

REF. NO	PART NO	DESCRIPTION
21	9332	Stud
22	9334-2	Chassis
23	1136	Nut, 5/8-18 Top Lock
24	1937	Spacer, 5/8ID x 1/4"
25	5090	Bearing
26	2430	Spanner
27	6317	Jackshaft
28	3403	Key, 3/16sq x 2"
29	1125s	Sprocket, 9T #420
30	1031	Key, 3/16sq x 1/2"
ASM	5958	Driven Pulley Assembly (incl. REF. 31-37)
31	*	Stationary Sheave
32	*	Bushing
33	*	Moveable Sheave
34	6804	Button, Nylon
35	6805	Spring
36	*	Cam
37	2477	Retaining Ring
38	1119	Spacer, 5/8ID x 1/8"
39	2449	Clip Nut, C7343-1420-4
40	6548	Clip Nut, C17453-1420

REF. NO	PART NO	DESCRIPTION
41	9006	Bolt, 1/4-20 x 1/2" Whiz Flange
42	6644	Chainguard
43	1542	Cover
44	1049	Decal, Caution
45	4912	Decal, Warning
46	1687	Decal
NI	9677	Decal, Hot Surfaces
NI	9678	Decal, Engine Exhaust
NI	5964	Decal, Oil Warning
<u>Throttle Linkage Illustration</u>		
47	1018	Cable Stop and Swivel Screw
48	1628	Cable Retainer

* = Not Available Separately
 ASM = Assembly
 NI = Not Illustrated