

Operator's Manual SUPPLEMENT

MODEL NO.

285-16

285-18

285-162

285-182

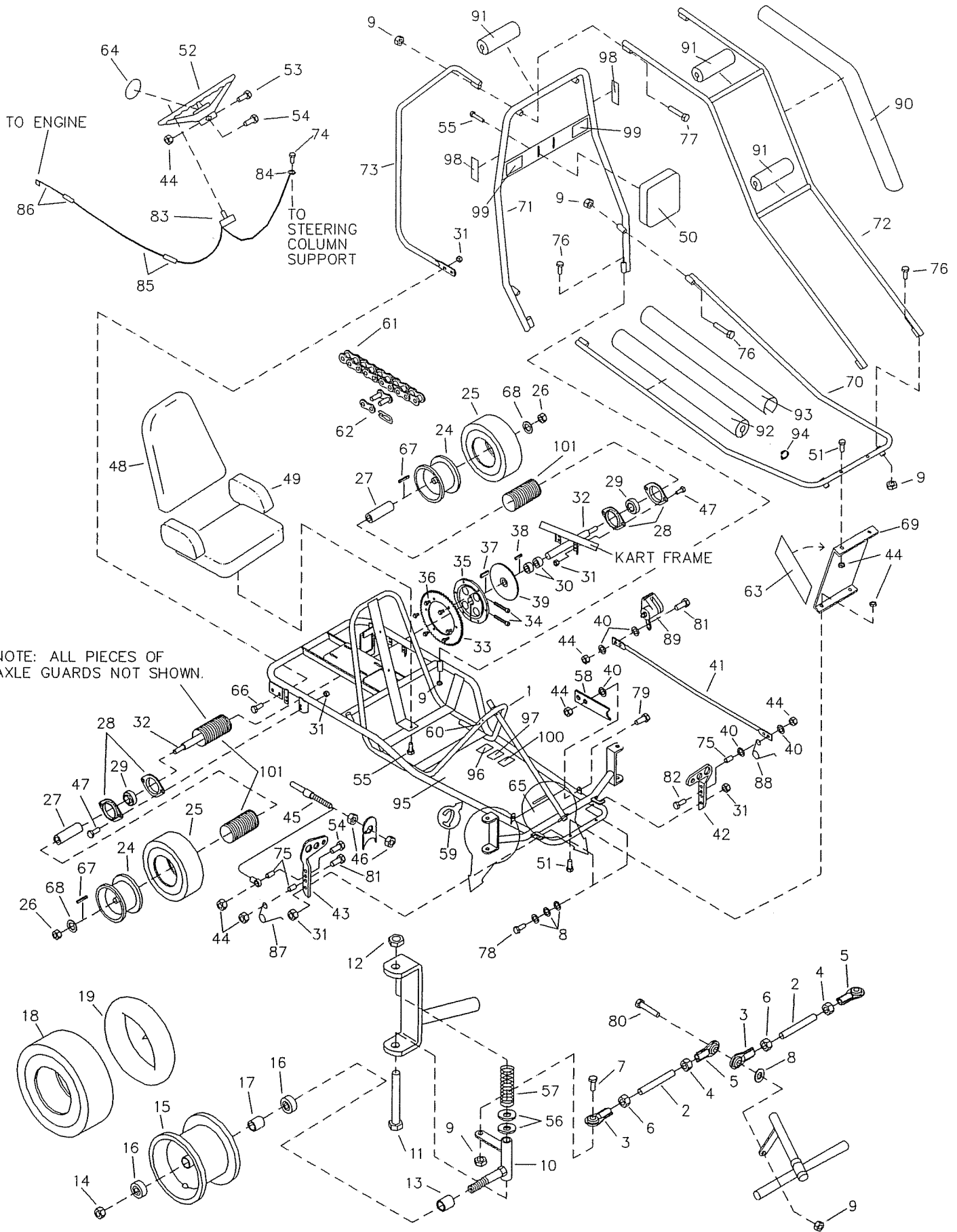
WARNING:
Read Engine
Owner's Manual,
Vehicle Operator's
Manual, and
Supplement
Carefully Before
Operating
Vehicle.

Parts List

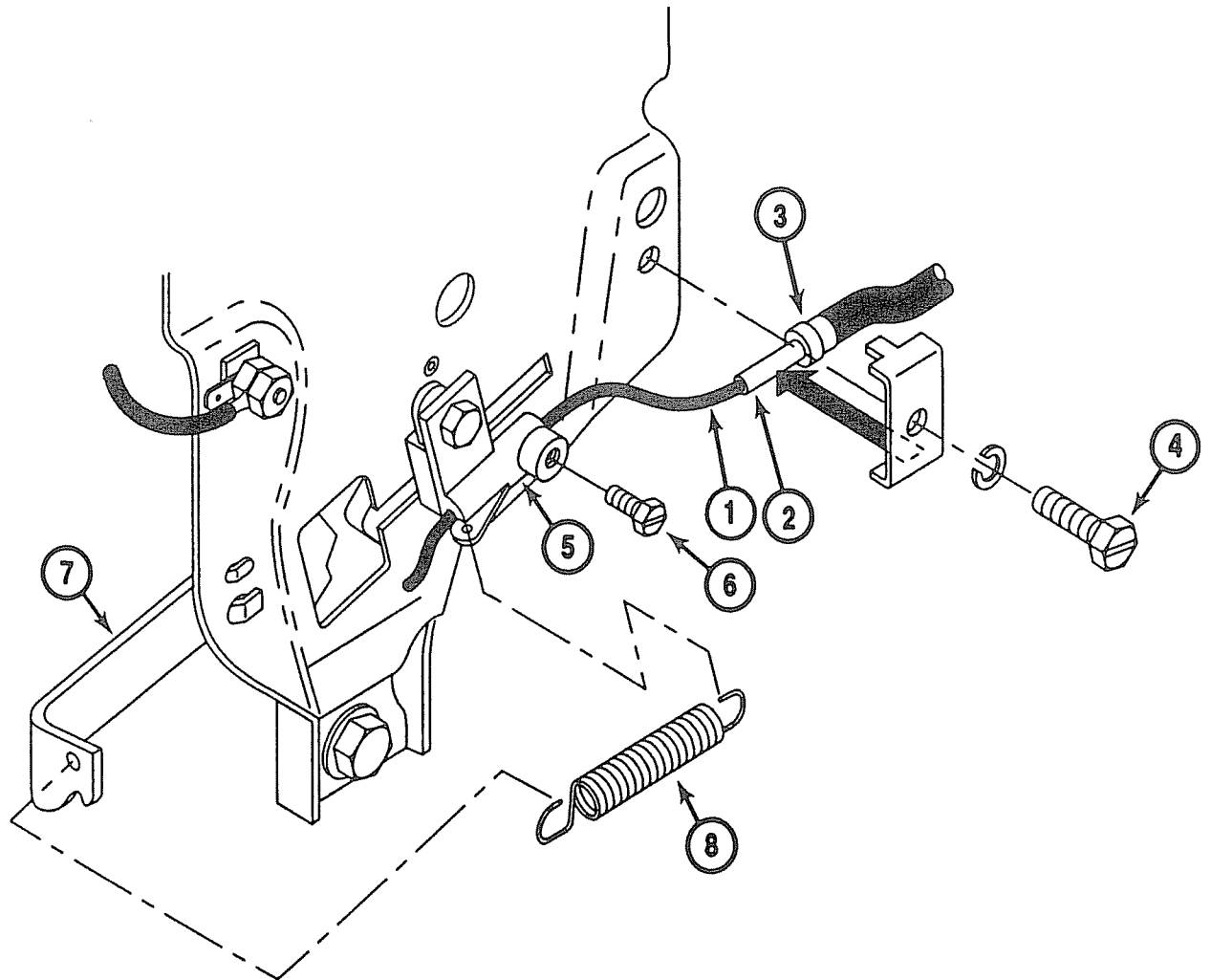


**THIS VEHICLE IS FOR
OFF-ROAD USE ONLY**

BEFORE OPERATING THIS VEHICLE, THE OWNER AND/OR OPERATOR MUST UNDERSTAND THE VEHICLE WAS NOT DESIGNED OR MANUFACTURED TO MEET SPECIFICATIONS FOR USE ON PUBLIC ROADS, STREETS, HIGHWAYS, OR THOROUGHFARES AND HAVE READ AND HAVE AN UNDERSTANDING OF ALL THE INSTRUCTIONS FOR SAFE ASSEMBLY AND OPERATION AS WELL AS THE INSTRUCTIONS GOVERNING THE ENGINE AND OTHER PORTIONS OF THE VEHICLE.



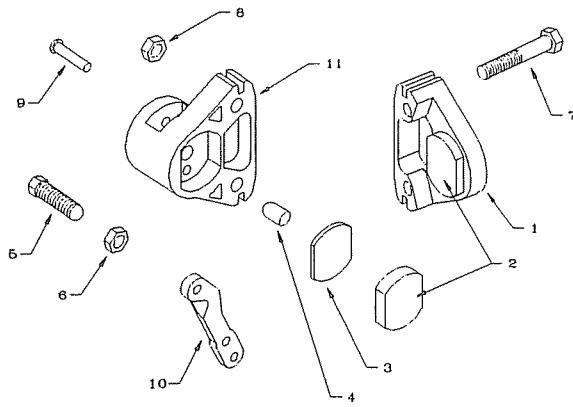
THROTTLE CABLE INSTALLATION



(285-16/-18 Only)

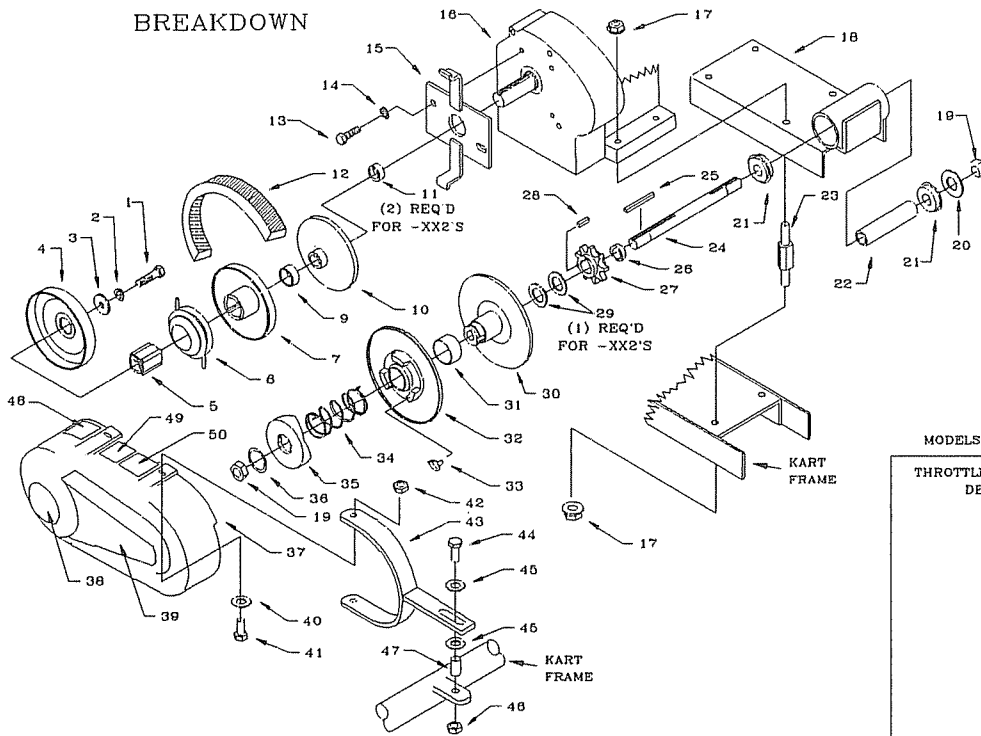
- ASSEMBLY:** Pass the Throttle Cable (Item 1) through the 1628 Cable Retainer (Item 2) and butt the Throttle Cable Housing End (Item 3) against the Inside Shoulder of the 1628 Cable Retainer (Item 2). The 1628 Cable Retainer (Item 2) is to be securely fastened to the engine with the Clamping Screw (Item 4). Pass the Wire End of the Throttle Cable Housing (Item 1) through the hole in the 5928 Cable Stop (Item 5). Before tightening 5929 Cable Stop Screw (Item 6):
1. Ensure 5926 Spring Anchor (Item 7), 5927 Spring (Item 8) and Throttle Cable are installed as illustrated above.
 2. Ensure throttle pedal is in rearward (idle) position.
 3. Ensure that there is no slack in the Throttle Cable Wire End (Item 1) with no tension applied to the spring (Item 8).
 4. Ensure Throttle Cable Housing End (Item 3) is inside and against the 1628 Cable Retainer (Item 2).

CALIPER BREAKDOWN



REF. NO	PART NO	DESCRIPTION
ASM	9597	Brake Caliper (incl. 1-11)
ASM	9810	Brake Pad Svc Kit (incl. 1-3)
1	*	Anvil w/Lining
2	*	Brake Lining
3	3928	Backing Plate
4	3930	Actuator Pin
5	3931	Adjuster Pin
6	3932	Nut, Jam
7	9158	Bolt, 3/8-16 x 2-1/4"
8	9085	Nut, 3/8-16 Toplock
ASM	6534	MB-1 Service Kit (incl. 9-11)
9	*	Groove Pin
10	*	Lever
11	*	Brake Housing

TORQUE CONVERTER BREAKDOWN



REF. NO	PART NO	DESCRIPTION
1	1454	Bolt, 5/16-24 x 1.75"
2	1124	Washer, 5/16 Split Lock
3	1398	Washer, Flat
ASM	5957	Driver Pulley Assembly (incl. REF. 4-10)
4	*	Drum
5	*	Hub
6	*	Shoe Assembly
7	*	Moveable Sheave
9	200349	Bushing
10	*	Stationary Sheave
11	1938	Spacer, 3/4ID x .375" (-xx's)
	1442	Spacer, 3/4ID x .25" (-xx2's)
12	5959	Belt, Asymmetrical
13	9101	Bolt, 5/16-24 x .5"
14	9030	Washer, 5/16 Interlock
15	1494	Mounting Bracket
16	6010	Engine, 5hp (285-16/-18)
	9737	Engine, 5.5hp (285-162/-182)
17	1263	Nut, 5/16-18 Flange
18	1110	Chassis
19	1136	Nut, 5/8-18 Top Lock

REF. NO	PART NO	DESCRIPTION
20	1469	Spacer, 5/8ID x .062"
21	5090	Bearing
22	1116	Spanner
23	1356	Stud
24	1118	Jackshaft
25	3403	Key, 3/16sq x 2"
26	1937	Spacer, 5/8ID x .25"
27	1125s	Sprocket, 9T #420
28	1031	Key, 3/16sq x .5"
29	1119	Spacer, 5/8ID x .125"
ASM	5958	Driven Pulley Assembly (incl. REF. 30-36)
30	*	Stationary Sheave
31	*	Bushing
32	*	Moveable Sheave
33	6804	Button, Nylon
34	6805	Spring
35	*	Cam
36	2477	Retaining Ring
37	1542	Cover
38	1687	Decal (285-18/-182 only)

REF. NO	PART NO	DESCRIPTION
39	9499	Decal (285-16/-162)
	1686	Decal (285-18/-182)
40	2279	Washer, #8 Flat
41	2277	Screw, #8 x .5"
42	2278	Nut, #8 Lock
43	1537-2	Bracket
44	1846	Bolt, 1/4-20 x .75"
45	1854	Washer, 1/4 Flat
46	9057	Nut, 1/4-20 Lock
47	1389	Bushing
48	6958	Decal, Tire Pressure
49	4912	Decal, Warning- This Guard...
50	1049	Decal, Warning- ...Drive Cover
51	1390	Throttle Cable
52	1628	Throttle Cable Retainer
53	1018	Throttle Cable Stop
NI	9677	Decal, Hot Surfaces
NI	9678	Decal, Engine Exhaust
NI	5964	Decal, Oil Warning

* = Not Available Separately
 ASM = Assembly
 NI = Not Illustrated

REPAIR PARTS - MODEL 285-16/-18/-162/-182

REF. NO.	PART NO.	DESCRIPTION	REF. NO.	PART NO.	DESCRIPTION
1	9741-2	Frame	60	1463	Bushing, Plastic
ASM	1464	Tie Rod Assembly (incl. 2-6)	61	9514	Chain, #420 x 62P (incl. 62)
2	1465	Tie Rod	62	2037	Master Link, #420
3	1415	Rod End - Left Hand Thread	63	4707	Decal, Front Plate (285-16/-162)
4	9092	Nut, 3/8-24 Right Hand Thread		1688	Decal, Front Plate (285-18/-182)
5	1414	Rod End - Right Hand Thread	64	9498	Decal, Steering Wheel (285-16/-162)
6	9024	Nut, 3/8-24 Left Hand Thread		1689	Decal, Steering Wheel (285-18/-182)
7	9146	Bolt, 3/8-16 x 1-1/2"	65	1441	Scuff Pad, Floor Pan
8	9091	Washer, 3/8 Flat	66	9176	Bolt, 5/16-18 x 1"
9	9085	Nut, 3/8-16 Lock	67	6123	Key, 1/4" Square x 1-3/4"
10	2457	Spindle - Right Side	68	1194	Washer, 3/4" Flat
NI	2458	Spindle - Left Side	69	1607	Front Plate
11	5682	Bolt, 1/2-13 x 5-1/2"	70	9748-2	Front Bar
12	1012	Nut, 1/2-13 Toplock	71	9746-2	Center Bar
13	5157	Spacer, 5/8" x 3/4"	72	9749-2	Overhead Bar
14	1046	Nut, 5/8-11 Toplock	73	9747-2	Rear Upright
15	9509P	Frnt. Wheel Assembly (incl. 16-19)	74	9796	Screw, 12-24 x 1/2" Self Tapping
16	5090	Bearing	75	1389	Bushing
17	5950	Spanner	76	2386	Bolt, 3/8-16 x 3-1/2"
18	4915	Tire, 145/70 x 6" Knobby	77	6452	Bolt, 3/8-16 x 5"
19	3802	Tube, 6"	78	1447	Bolt, 5/16-18 x 1-3/4" Shoulder
20	-----	-----	79	1846	Bolt, 1/4-20 x 3/4"
21	-----	-----	80	9145	Bolt, 3/8-16 x 1-3/4"
22	-----	-----	81	1847	Bolt, 1/4-20 x 1"
23	-----	-----	82	1848	Bolt, 1/4-20 x 1-1/4"
ASM	3554	Rear Wheel Assembly (incl. 24,25)	ASM	9799	Stop Switch Asm (incl. 83-85)
24	3552	Wheel - 8" Gold	83	1392	Stop Switch
25	3548	Tire, 18/9.5 x 8"	84	1393	Ring Terminal
NI	1430	Tube, 8" (Repair Part Only)	85	1394	Wire, 50" with Splice Connector
26	9162	Nut, 3/4-10 Toplock	86	1406	Wire, to Engine
27	1448	Spacer, 1" ID x 3-9/16"	87	9502	Spring, Left Wound
28	1760	Bearing Flange	88	9503	Spring, Right Wound
29	3941	Bearing	89	9597	Caliper (see Caliper Breakdown)
30	2265	Spacer, 1" ID x 3/4"	ASM	9798*	Foam Replacement Kit (incl. 90-92)
31	1189	Nut, 5/16-18 Toplock	90	9758*	Foam, 43"
32	9740	Axle	91	9808*	Foam, 10"
ASM	6420	Sprocket Assembly (incl. 33-36)	92	9759*	Foam, 30"
33	6282	Sprocket, 54 Teeth 420 Chain	93	9857	Cover, 30" Phoenix (285-16/-162)
34	6701	Bolt, 5/16-18 Socket Head		9856	Cover, 30" MANCO (285-18/-182)
35	6280	Sprocket Hub	94	9776	Clamp, 3/4"
36	1876	Bolt, 1/4-20 x 5/8" Whiz	95	4708	Decal, Floor Pan (285-16/-162)
37	9680	Key, 1/4" x 3/8" x 1-1/4" Long	96	2832	Decal, Warning - No Passengers
38	1775	Key, 1/4" Square x 1-1/4" Long	97	4504	Decal, Warning - Yellow
39	9511	Brake Rotor	98	6540	Decal, Warning: Wear Helmet
40	1854	Washer, #14 Flat	99	8138	Decal, Warning: Entanglement
41	9744-2	Brake Rod	100	8154	Decal, Age Restriction
42	1436	Brake Pedal	101	K285-18	Axle Guard Repair Kit
43	1437	Throttle Pedal	NI	2601	Engine Owner's Manual (285-16/-18)
44	9057	Nut, 1/4-20 Toplock	NI	2684E	Engine Owner's Manual (285-162/-182)
45	1390	Throttle Cable (incl. 46)	NI	6477	Vehicle Operator's Manual
46	9058	Nut, 5/16-24 Jam	NI	9247R3	Assembly Instructions
47	2264	Bolt, 5/16-18 x 3/4"			
48	5159	Seat Back			
49	5160	Seat Bottom			
50	9494	Headrest Pad, Phoenix (285-16/-162)			
	6320	Headrest Pad (285-18/-182)			
51	1849	Bolt, 1/4-20 x 1-1/2"			
52	6038	Steering Wheel			
53	9080	Bolt, 1/4-20 x 2-3/4"			
54	9160	Bolt, 1/4-20 x 7/8" with Nylock			
55	5839	Bolt, 1/4-20 x 3/4" Whiz Flange			
56	9022	Washer, 1/2" Flat			
57	5681	Spring			
58	1982	Pedal Latch			
59	1019	Ty-Wrap			

ASM = Assembly

NI = Not Illustrated

* = Specify Black, Pink, White, or Yellow