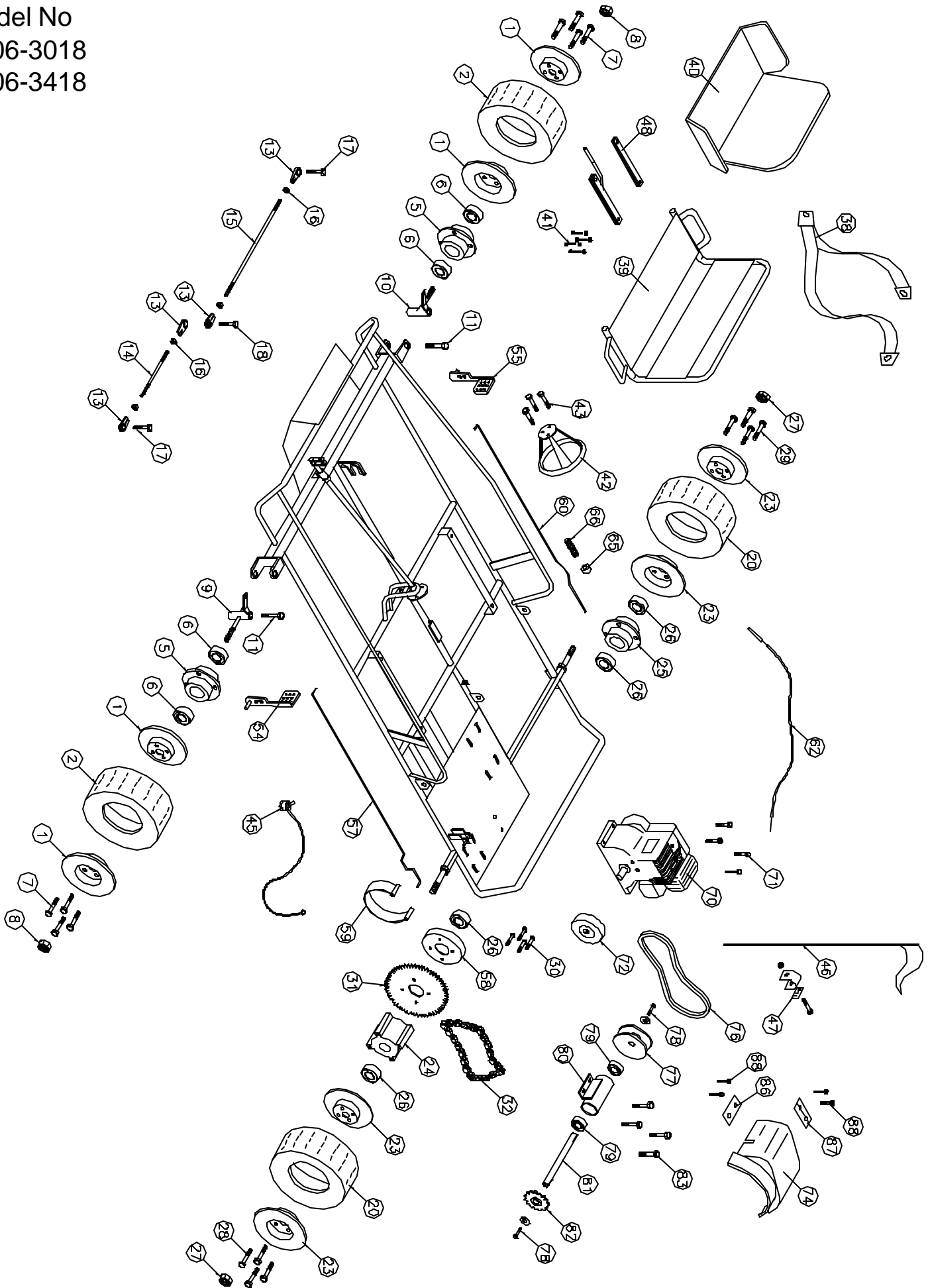


Model No
2506-3018
2506-3418



Go-Kart Item No 2506-3018, 2506-3418

No	Part No	Description	Qty	No	Part No	Description	Qty
Front Wheel Section				(42)	G647	Steering Wheel 10" (Deep Dish)	1
(1)	G344	Split rim wheel 6" (Set)	2	(43)	F924	Bolt 1/4" x 3/4" w/L.W. & Hex Nut	3
(2)	G244	Tire & Tube Assembly (13x500x6")	2	(44)	I229*	Cable tie	1
(3)	G245*	Tire (13x500x6")	2	(45)	3091136	Toggle Kill Switch w/ wire	1
(4)	G246*	Tube (13x500x6")	2	(46)	G155	Flag	1
(5)	G216	Flange hub 1 3/8" Bore	2	(47)	G121	Flag holder	1
(6)	G204	Bearing (1 3/8" OD x 5/8" ID)	4	(48)	G690	Seat Adjuster	1
(7)	F962	Bolt 3/8" x 3/4" (w/Lock Washer)	8	Throttle & Brake Section			
(8)	F328	Lock nut 5/8"	2	(54)	3291506	Brake pedal	1
(9)	G227	Spindle (left)	1	(55)	3291505	Gas pedal	1
(10)	G228	Spindle (right)	1	(56)	F504*	Cotter Pin (1/8" x 1")	4
(11)	F996	King pin bolt (1/2" x 3 3/4" w/(2)F.W. & L.N.)	2	(57)	G494	Brake rod #24B (CBC)	1
(12)	I230*	Grease fitting 1/4" (Spindles)	2	(58)	G428	Brake drum	1
(13)	G207	Tie rod bearing 3/8"	4	(59)	G449	Brake band	1
(14)	G232	Tie rod 3/8" x 6"	1	(60)	G582	Throttle rod #11TZ	1
(15)	G233	Tie rod 3/8" x 16 1/2"	1	(62)	G488	Throttle wire & conduit (31" Cable)	1
(16)	F309	Hex Nut 3/8" NF	4	(63)	G418*	Conduit Clip	1
(17)	F949	Bolt 3/8" x 1 1/4" w/F.W. & Lock Nut	2	(64)	F935*	Bolt 3/16" x 3/4" w/L washer & nut	1
(18)	F948	Bolt 3/8" x 2" w/(3)F.W. & (1) Lock Nut	1	(65)	F252	Nyloc Nut	1
Rear Wheel Section				(66)	I206	Spring	1
(20)	G248	Tire & Tube Assembly (15x600x6")	2	Engine Section			
(21)	G249*	Tire (15x600x6")	2	(70)	3130141	Tecumseh 6.5 hp Engine w/ Alt	1
(22)	G250*	Tube (15x600x6")	2	(71)	F970	Bolt 5/16" x 1 3/4" w/F.W., L.W. & H.Nut	4
(23)	G294	Split rim wheel 6" (Set)	2	(72)	G704	Centrifugal Belt Clutch	1
(24)	G222	Drive hub 1 3/8" bore	1	(73)	F942*	Bolt 5/16" x 3/4" NF w/ L.W. & F.W.	1
(25)	G216	Flange hub 1 3/8" bore	1	(74)	3371147	Drive Cover	1
(26)	G204	Bearing (1 3/8" OD x 5/8" ID)	4	(75)	3001524*	Bolt 1/4"-20" x 3/4" ST	4
(27)	F328	Lock nut 5/8"	2	(76)	G755	V-Belt (5L 300)	1
(28)	F947	Bolt 3/8" x 1" w/Lock washer	4	(77)	G566	Pulley (B) 5 3/4" w/ 3/4" Bore	1
(29)	F962	Bolt 3/8" x 3/4" w/Lock washer	4	(78)	F967	Bolt 5/16" x 1" w/ LW & FW	2
(30)	F954	Bolt 3/8" x 1 1/4" w/ Lock washer	4	(79)	G903	Bearing (1 5/8" OD x 3/4" ID)	2
(31)	G518	Sprocket 48T	1	(80)	3321500	Jack Shaft Housing	1
(32)	G567	Drive chain #40x62	1	(81)	G557	Jack Shaft (3/4" x 6 7/8")	1
(33)	G514*	Connector link #40	1	(82)	G501	Sprocket 12T (40B) w/ 3/4" Bore	1
Frame Section				(83)	F944	Bolt 3/8" x 1" w/ Flange Nut	4
(38)	G695	Seat Belt 3-Point	2	(84)	F808*	Bolt 3/16" x 1/2" w/ 10-24 Speed Nut	2
(39)	G700	Metal Seat D/S	1	(85)	3099000*	Light Kit	1
(40)	G655	Seat Cushion #3 (HB)	1	(86)	3401018	Guard Clamp Front	1
(41)	F958	Bolt 5/16" x 1 1/2" w/ F.W., L.W. & H.Nut	2	(87)	3401017	Guard Clamp Rear	1
				(88)	3001520	Screw 1/4" x 1" Self Tap	4

* Not Shown on Drawing