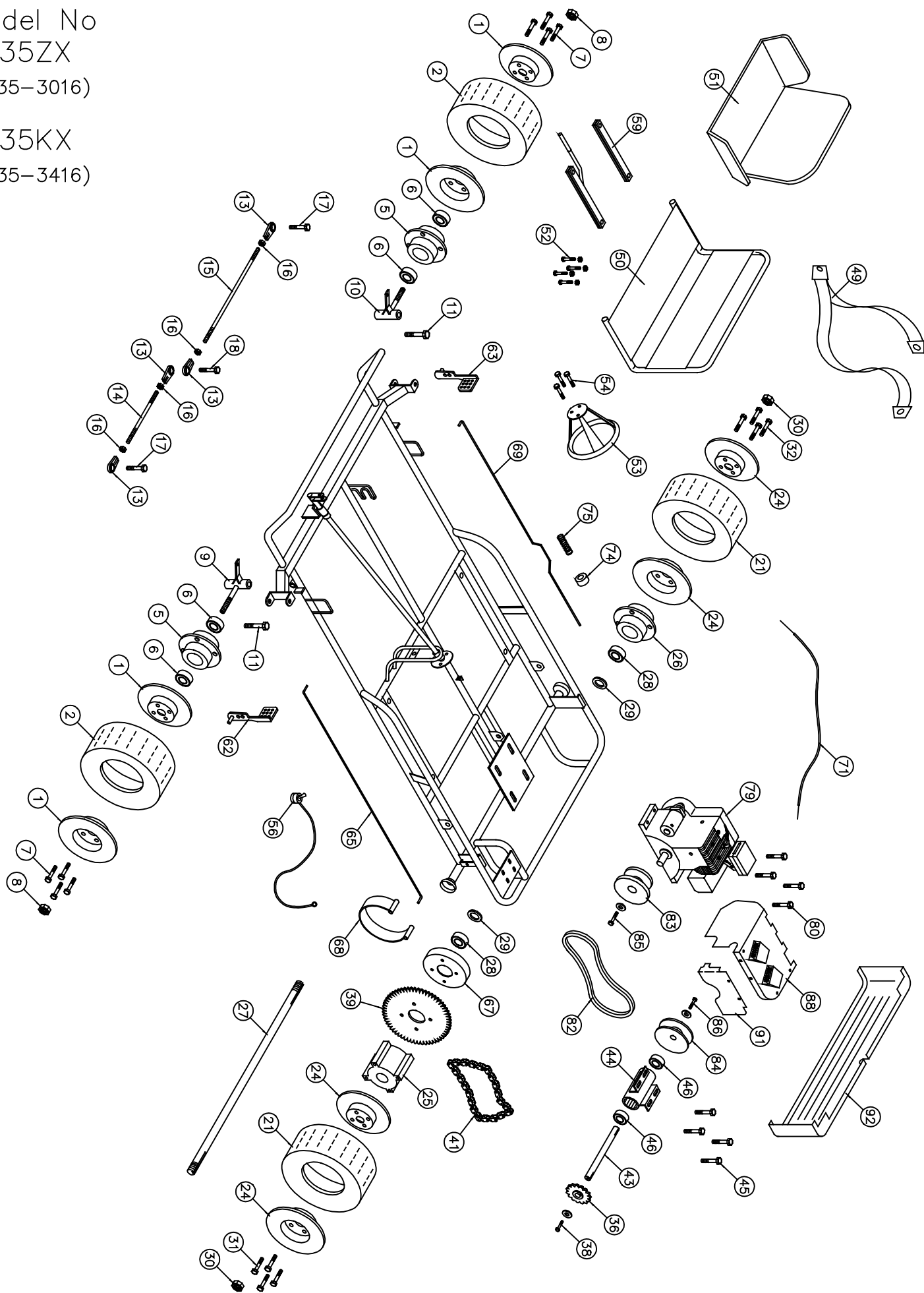


Model No  
2335ZX  
(2335-3016)

2335KX  
(2335-3416)



# Go-Kart Item No 2335-3016, 2335-3416

No	Partno	Description	Qty	No	Partno	Description	Qty
<b>Front Wheel Section</b>				<b>Frame Section</b>			
(1)	G294	Split rim wheel 6" (Set)	2	(49)	G695	Seat Belt	2
(2)	G276	Tire & Tube Assembly (14.5 x 7.00 x 6")	2	(50)	G687	Metal Seat	1
(3)	G277*	Tire (14.5 x 7.00 x 6")	2	(51)	G655	Cushion seat #3 (Hot Bodies)	1
(4)	G278*	Tube (14.5 x 7.00 x 6")	2	(52)	F810	Carriage Bolt 5/16" x 3/4" NC w/LN	4
(5)	G216	Flange hub 1 3/8" bore	2	(53)	G647	Steering Wheel 10" (Deep Dish)	1
(6)	G204	Bearing (1 3/8" OD x 5/8" ID)	4	(54)	F924	Bolt 1/4" x 3/4" w/L.W. & H.Nut	3
(7)	F962	Bolt 3/8" x 3/4" w/Lock washer	8	(55)	I229*	Cable tie	1
(8)	F328	Lock nut 5/8"	2	(56)	3091132	Toggle Kill Switch w/ wire (48")	1
(9)	3211515	Spindle (left)	1	(57)	G155*	Flag	1
(10)	3211514	Spindle (right)	1	(58)	G121*	Flag holder	1
(11)	F996	King pin bolt (1/2" x 3 3/4" w/(2)FW & LN)	2	(59)	G690	Seat Adjuster	1
(12)	I215*	Grease fitting 1/4" (Spindles)	2	<b>Throttle &amp; Brake Section</b>			
(13)	G207	Tie rod bearing 3/8"	4	(62)	3291506	Brake pedal	1
(14)	G286	Tie rod 3/8" x 7 1/2"	1	(63)	3291505	Gas pedal	1
(15)	G285	Tie rod 3/8" x 18"	1	(64)	F504*	Cotter Pin 1/8" x 1"	4
(16)	F309	Nut 3/8" NF	4	(65)	G466	Brake rod #3B	1
(17)	F949	Bolt 3/8" x 1 1/4" w/F.W. & L.Nut	2	(66)	F953*	Bolt 3/8" x 2 1/2" w/ 1LW & 2 HN	1
(18)	F948	Bolt 3/8" x 2" w/(3)F.W. & (1)L.Nut	1	(67)	G428	Brake drum	1
<b>Rear Wheel Section</b>				(68)	G449	Brake band	1
(21)	G276	Tire & Tube Assembly (14.5 x 7.00 x 6")	2	(69)	G582	Throttle rod 11TZ	1
(22)	G277*	Tire (14.5 x 7.00 x 6")	2	(71)	G489	Throttle Wire & conduit	1
(23)	G278*	Tube (14.5 x 7.00 x 6")	2	(72)	G418*	Conduit clip	1
(24)	G294	Split rim wheel 6" (Set)	2	(73)	F935*	Bolt 3/16" x 3/4" w/L.W. & H.Nut	1
(25)	G308	Drive hub 3/4" bore	1	(74)	F252	Nyloc Nut	1
(26)	G310	Flange hub 3/4" bore	1	(75)	I206	Spring	1
(27)	G314	Axle 3/4" x 38 1/4"	1	<b>Engine Section</b>			
(28)	G903	Bearing (1 5/8" OD x 3/4" ID)	2	(79)	3130110	Tecumseh 5 hp Engine	1
(29)	G237	Wear Ring 3/4"	2	(80)	F970	Bolt 5/16" x 1 3/4" w/Flange Nut	4
(30)	F330	Lock nut 3/4"	2	(81)	G756*	Series 20 Torque Converter Complete	1
(31)	F947	Bolt 3/8" x 1" w/Lock washer	4	(82)	G759	Series 20 Belt	1
(32)	F962	Bolt 3/8" x 3/4" w/Lock washer	4	(83)	G757	Series 20 Driver unit	1
(33)	I112*	Key 3/16" x 2 3/4"	2	(84)	G758	Series 20 Driven unit	1
<b>Jack Shaft Section</b>				(85)	F961	Bolt 5/16" x 1 1/4" (Fine) w/L.W. & F.W.	1
(36)	G501	Sprocket 12T (40B)	1	(86)	F967	Bolt 5/16" x 1" w/F.W. & L.W.	1
(37)	I113*	Key 3/16" x 7/8"	1	(87)	I114*	Key 3/16" x 2"	1
(38)	F967	Bolt 5/16" x 1" w/F.W. & L.W.	1	(88)	3371137	Drive Cover	1
(39)	G518	Sprocket 48T (41A)	1	(89)	F111*	Bolt 5/16" x 3/4"	2
(40)	F954*	Bolt 3/8" x 1 1/4" w/Lock washer	4	(90)	G778*	Guard Bracket	1
(41)	G521	Drive Chain #40-56 Pitches	1	(91)	3371121	Sprocket Cover	1
(42)	G514*	Connector Link #40	1	(92)	3371111	Bumper Guard	1
(43)	G529	Jack shaft (1 5/8" x 12 5/16")	1				
(44)	G532	Jack Shaft Housing (1 5/8" x 9 1/8")	1				
(45)	F951	Bolt 5/16" x 1" w/FW & Flange Nut	4				
(46)	G903	Bearing (1 5/8" OD x 3/4" ID)	2				

\* Not Shown on Drawing