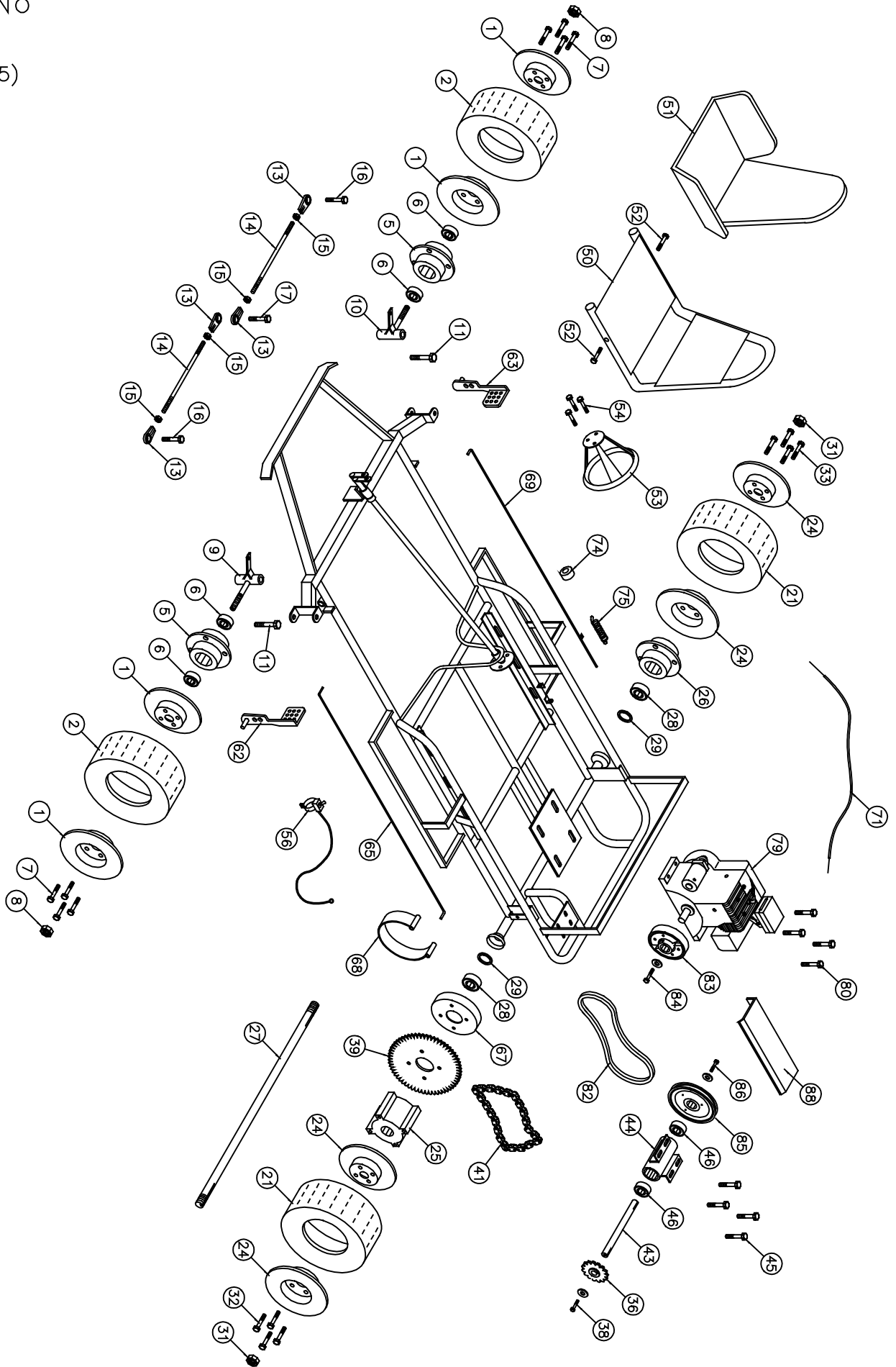


Model No
1875
(1875-1215)



Go-Kart Parts List

1875-1215, 1885-1215

No	Partno	Description	Qty	No	Partno	Description	Qty
<u>Front Wheel Section</u>				<u>Frame Section</u>			
(1)	G251	Split rim wheel 6" Medium (Set)	2	(50)	G688	Metal Seat	1
(2)	G365	Tire & Tube Assembly (13x650x6" Slick)	2	(51)	G661	Cushion seat #10	1
(3)	N/A			(52)	F810	Carriage Bolt 5/16" x 3/4" NC w/ LN	4
(4)	G366*	Tube (13 x650x6")	2	(53)	G648	Steering Wheel 10" Flat	1
(5)	G216	Flange hub (1 3/8" bore)	2	(54)	F924	Bolt 1/4" x 3/4" w/L.W. & H.Nut	3
(6)	G204	Bearing (1 3/8" OD x 5/8" ID)	4	(55)	I229*	Cable tie	1
(7)	F962	Bolt 3/8" x 3/4" w/Lock washer	8	(56)	G642	Toggle Kill Switch w/ wire (48")	1
(8)	F328	Lock nut 5/8"	2	(57)	G690	Seat Adjuster	1
(9)	G227	Spindle (left)	1	<u>Throttle & Brake Section</u>			
(10)	G228	Spindle (right)	1	(62)	G436	Brake pedal	1
(11)	F996	King pin bolt (1/2" x 3 3/4" w/F.W. & L.Nut)	2	(63)	G435	Gas pedal	1
(12)	I215*	Grease fitting 1/4" (Spindles)	2	(64)	F504*	Cotter Pin 1/8" x 1"	4
(13)	G207	Tie rod bearing 3/8"	4	(65)	G466	Brake rod #3B	1
(14)	G280	Tie rod 3/8" x 12 5/8"	2	(67)	G428	Brake drum	1
(15)	F309	Nut 3/8" (Fine thread)	4	(68)	G449	Brake band	1
(16)	F949	Bolt 3/8" x 1 1/4" w/F.W. & L.Nut	2	(69)	G582Z	Throttle rod #11TZ	1
(17)	F948	Bolt 3/8" x 2" bolt w/(3)F.W. & (1)L.Nut	1	(70)	F904*	Bolt 5/16" x 3/4" w/ F.W., L.W. & H.Nut	1
<u>Rear Wheel Section</u>				(71)	G489	Throttle Wire & conduit (37" Wire)	1
(21)	G365	Tire & tube assembly (13x650x6" Slick)	2	(72)	G418*	Conduit clip	1
(22)	N/A			(73)	F935*	Bolt 3/16" x 3/4" w/L.W. & H.Nut	1
(23)	G366*	Tube (13x650x6")	2	(74)	F252	Nyloc Nut	1
(24)	G251	Split rim wheel 6" Medium (Set)	2	(75)	I206	Spring	1
(25)	G308	Drive hub 3/4" bore	1	<u>Engine Section</u>			
(26)	G310	Flange hub 3/4" bore	1	(79)	3130110	Techumseh 5 hp Engine	1
(27)	G314	Axle 3/4" x 38 1/4"	1	(80)	F970	Bolt 5/16" x 1 3/4" w/F.W., L.W. & H.Nut	4
(28)	G903	Bearing (1 5/8" OD x 3/4" ID)	2	(81)	G756*	Series 20 Torque Converter Complete	1
(29)	G237	Wear Ring 3/4"	2	(82)	G759	Series 20 Belt	1
(30)	I112*	Key 3/16" x 2 3/4"	2	(83)	G757	Series 20 Driver unit	1
(31)	F330	Lock nut 3/4"	2	(84)	G758	Series 20 Driven unit	1
(32)	F947	Bolt 3/8" x 1" w/Lock washer	4	(85)	F961	Bolt 5/16" x 1 1/4" (Fine) w/L.W. & F.W.	1
(33)	F962	Bolt 3/8" x 3/4" w/Lock washer	4	(86)	F967	Bolt 5/16" x 1" w/F.W. & L.W.	1
<u>Jack Shaft Section</u>				(87)	I114*	Key 3/16" x 2"	1
(36)	G501	Sprocket 12T (40B)	1	(88)	G737	Belt Guard	1
(37)	I113*	Key 3/16" x 7/8"	1	(89)	F992*	Nut 1/4" w/ L.W.	2
(38)	F967	Bolt 5/16" x 1" w/F.W. & L.W.	1	(90)	G778	Guard Bracket	1
(39)	G518	Sprocket 48T (41A)	1	<u>Body Mounts</u>			
(40)	F954*	Bolt 3/8" x 1 1/4" w/Lock washer	4	(105)	G680*	Front Mount (Stocker Models)	1
(41)	G521	Drive Chain #40-56 Pitches	1	(106)	G681*	Rear Mount (Stocker Models)	1
(42)	G514*	Connector Link #40	1	(107)	G678*	Front Mount (Indy Models)	1
(43)	G529	Jack shaft (12 5/16")	1	(108)	G679*	Rear Mount (Indy Models)	1
(44)	G531	Jack Shaft Housing (1 5/8" x 9 1/8")	1				
(45)	F951	Bolt 5/16" x 1" w/(2) F.W., L.W. & H.Nut	4				
(46)	G903	Bearing (1 5/8" OD x 3/4" ID)	2				

* Not Shown on Drawing