

TrailMaster Go-Kart

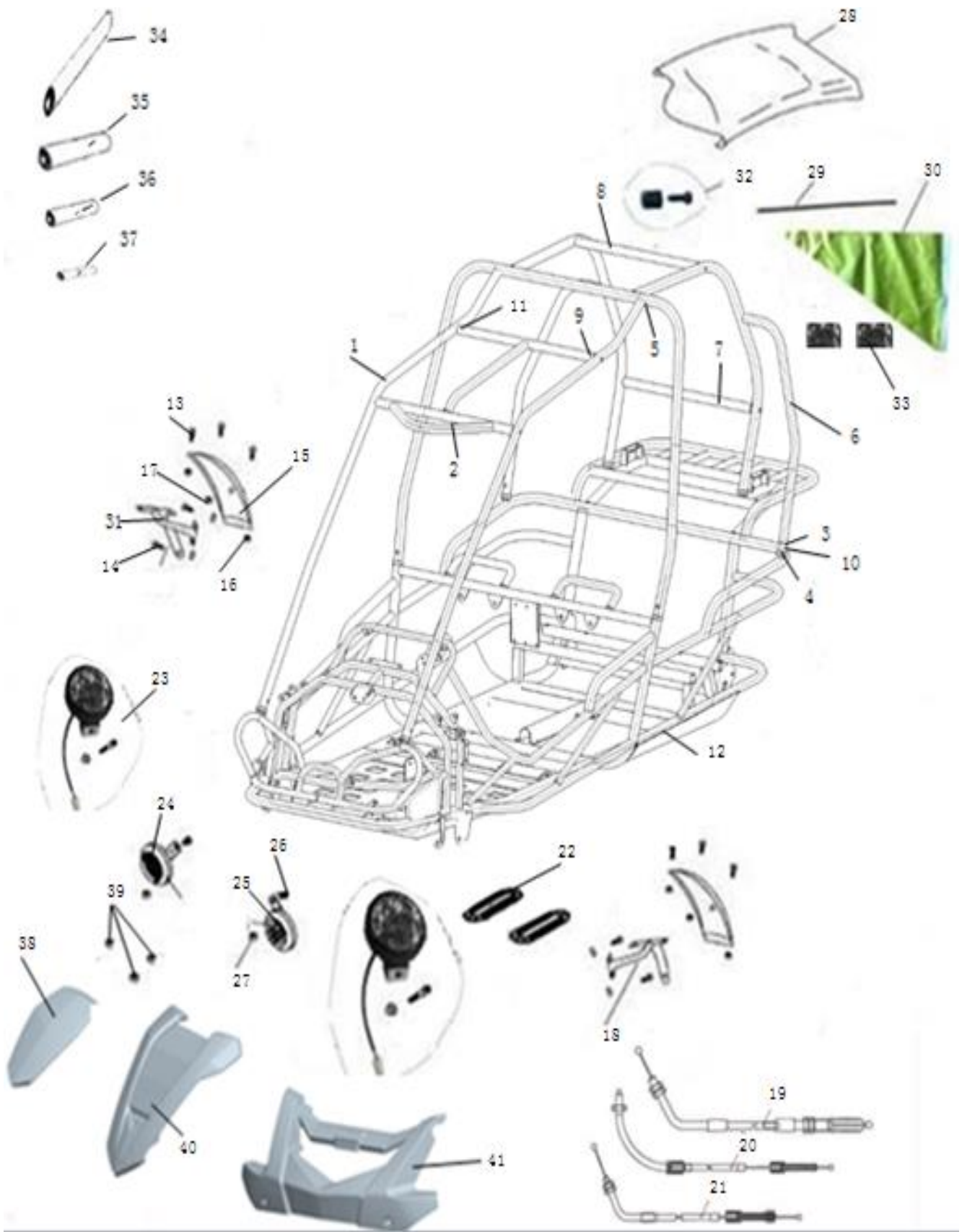


Blazer-4 150



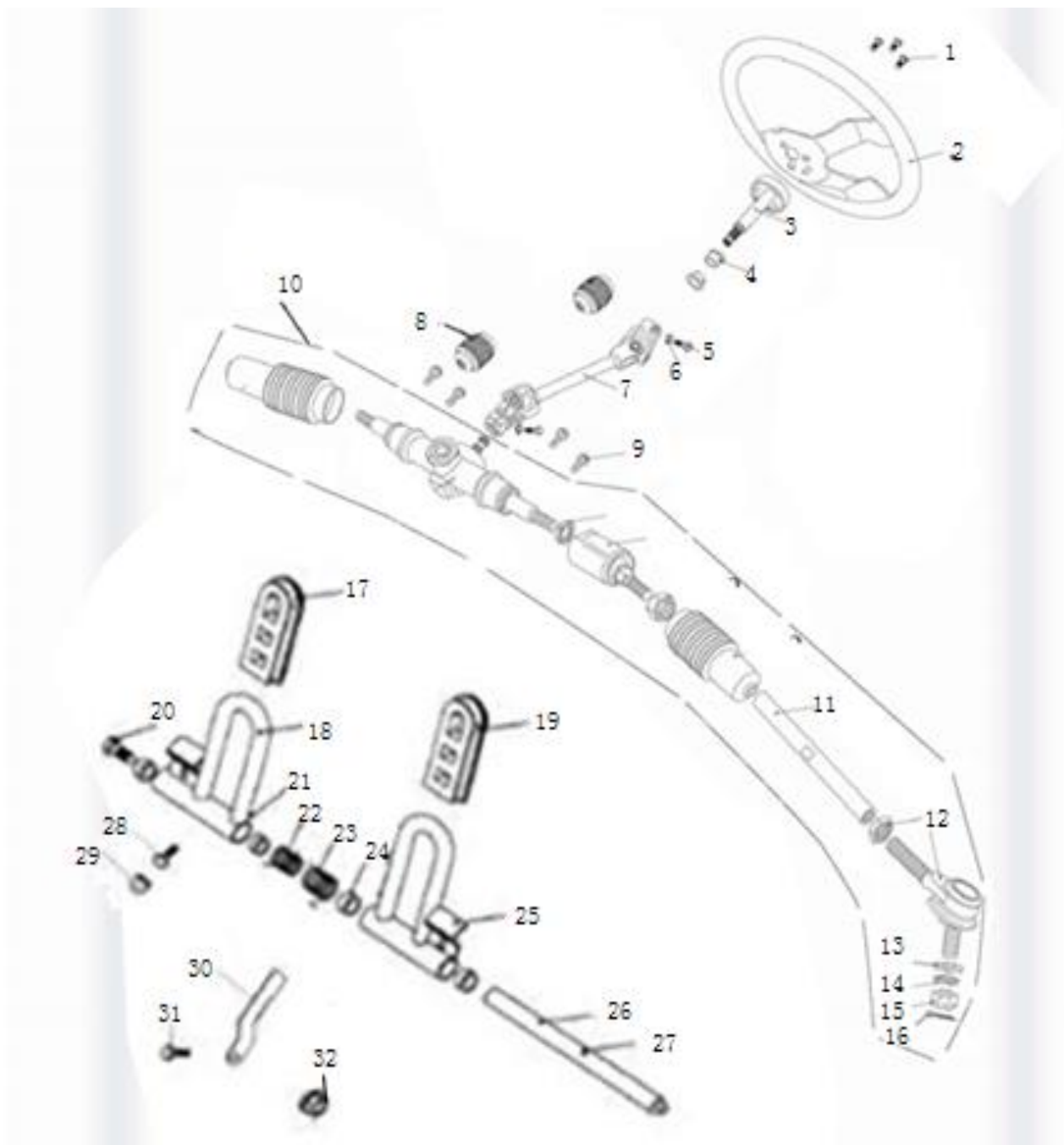
(FRAME PARTS ONLY)

- 2 -
FIG 17 FRAME GROUP



NO.	PART NO.	DESCRIPTION	QTY	
1	8070054150GH00	ROLL CAGE FRONT	2	
2	6010061150GH00	TOP CAGE	1	
3	8010047250G000	R-WASHER	30	
4	57870805512505	GB5787 M8X55 BOLT	11	
5	7110018080G000	φ28 TUBE SEAT	6	
6	8070068150GH00	SIDE BAR	2	
7	8080033150GH00	CORSS BAR LONG	1	
8	8080033150GH01	CROSS BAR SHORT	1	
9	7010017250G000	φ25 TUBE SEAT	8	
10	61870800012505	GB6187 SELF-LOCKING NUT M8	8	
12	8070066150GH03	FRAME COMP.	1	
13	57890601610005	GB5789 M6X16	6	
14	61770600010005	GB6177 NUT M6	6	
15	7010034250G000	FRONT FENDER	2	
16	93000600000005	SPRING WASHER φ6	4	
17	57890601410005	GB5789 BOLT M6X14	4	
18	6100067250G000	FRONT FENDER BRACKET (L)	1	
19	6000232150G001	THROTTLE CABLE	1	
20	6013000150G000	REVERSE CABLE	1	
21	6000050150G000	PARKING BRAKE CABLE	1	
22	7020045080G000	FOOT PLATE	2	
23	8110000050GB01	LED HEAD LIGHT	2	
24	6000135250G000	HORN HIGH	1	
25	6000136250G000	HORN LOW	1	
26	57890802012505	GB5789 M8X20 BOLT	2	
27	61870800012505	GB6187 M8 LOCKING NUT	2	
28	6000320150G000	CANOPY TOP	1	
29	0000100250G000	FLAG POLE	1	
30	0000200250G000	FLAG	1	
31	6100102250GH00	FRONT FENDER BRACKET (R)	1	
32	0001000250G000	FLAG HOLDER	1	
33	8006000300K000	REFLECTOR	2	
34	6000191150G000	380MM FOAM PADDING	6	
35	6000194150G000	340MM FOAM PADDING	5	
36	6000192150G000	230MM FOAM PADDING	2	
37	6000193150G000	120MM FOAM PADDING	2	
38	6502000080G000	PLASTIC BODY 1	1	
39	94000000600005	GB94 NUT M6	3	
40	6501000080G000	PLASTIC BODY 2	1	
41	6503000080G000	PLASTIC BUMPER	1	

FIG 18: STEERING SHAFT ASSY



NO.	PART NO.	DESCRIPTION	QTY	
1	57810601210005	GB5781 BOLT M6X12	3	
2	7020038250G000	STEERING WHEEL	1	
3	6000122150G000	STEERING SHAFT	1	
4	7010026150G000	BUSH STEERING SHAFT	2	
5	57830802512505	GB5783 BOLT M8X25	2	
6	93000800000005	SPRING WASHER φ8	2	
7	6000093150G000	STEERING KNUCKLE	1	
8	7020066250G000	BALL JOINT DUST COVER	2	
9	61870802512505	BOLT M8X25	4	

10	3000007150G000	STEERING GEAR ASSY	1	
11	8.010.157-250-B4	TIE ROD	2	
12	6000062250G000	ROD END	2	
13	97001000000002	WASHER φ10	2	
14	93001000000002	SPRING WASHER φ10	2	
15	94571000012505	CASTLE NUT M10X1.25	2	
16	GB912502500002	COTTER PIN φ2.5X25	2	
17	7020044080G000	THROTTLE PEDAL PAD	1	
18	9500218080G000	THROTTLE PEDAL		
19	7020043080G000	BRAKE PEDAL PAD	1	
20	70000801212505	GB70 BLOT M8X12	1	
21	87910300160000	ROLL PIN φ3 X 16	2	
22	8040010080G000	THROTTLE PEDAL RETURN SPRING,L	1	
23	8040011080G000	BRAKE PEDAL RETURN SPRING,R	1	
24	7010003250G000	PEDAL BUSH	4	
25	4000044080G000	BRALE PEDAL COMP.	1	
26	8010123080G000	PEDAL BOLT	1	
27	87910300200000	ROLL PIN φ3 X 20	1	
28	57820806512505	BOLT M8X65	1	
29	7010022080G000	RUBBER FOOD PEDAL STOP	1	
30	8020209080G000	STOPPING PLATE	1	
31	110F7602010005	M6X20 SCREW	1	
32	61770600010005	GB6177 M6 BOLT	1	

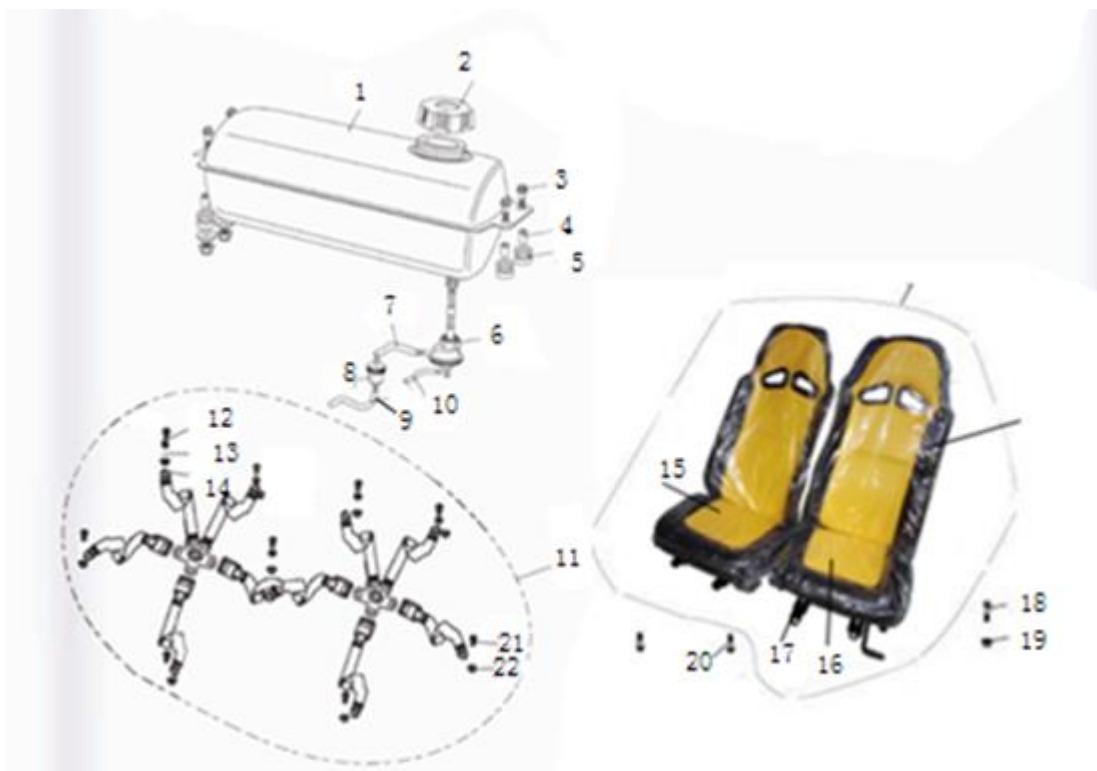
FIG 19: SUSPENSION ARM ASSY



NO.	PART NO.	DESCRIPTION	QTY.
1	2010028250GH01	STRUT AND SPINDLE SUPPORT R	1
2	57890810512505	GB5789 BOLT M8X105	2
3	8010015250G000	UPPER SUSPENSION ARM COLLAR	2
4	7010003250G000	UPPER SUSPENSION ARM BUSHING	4
5	4000004250G000	UPPER SUSPENSION ARM	2
6	61870800012505	GB6187 M8 NUT	2

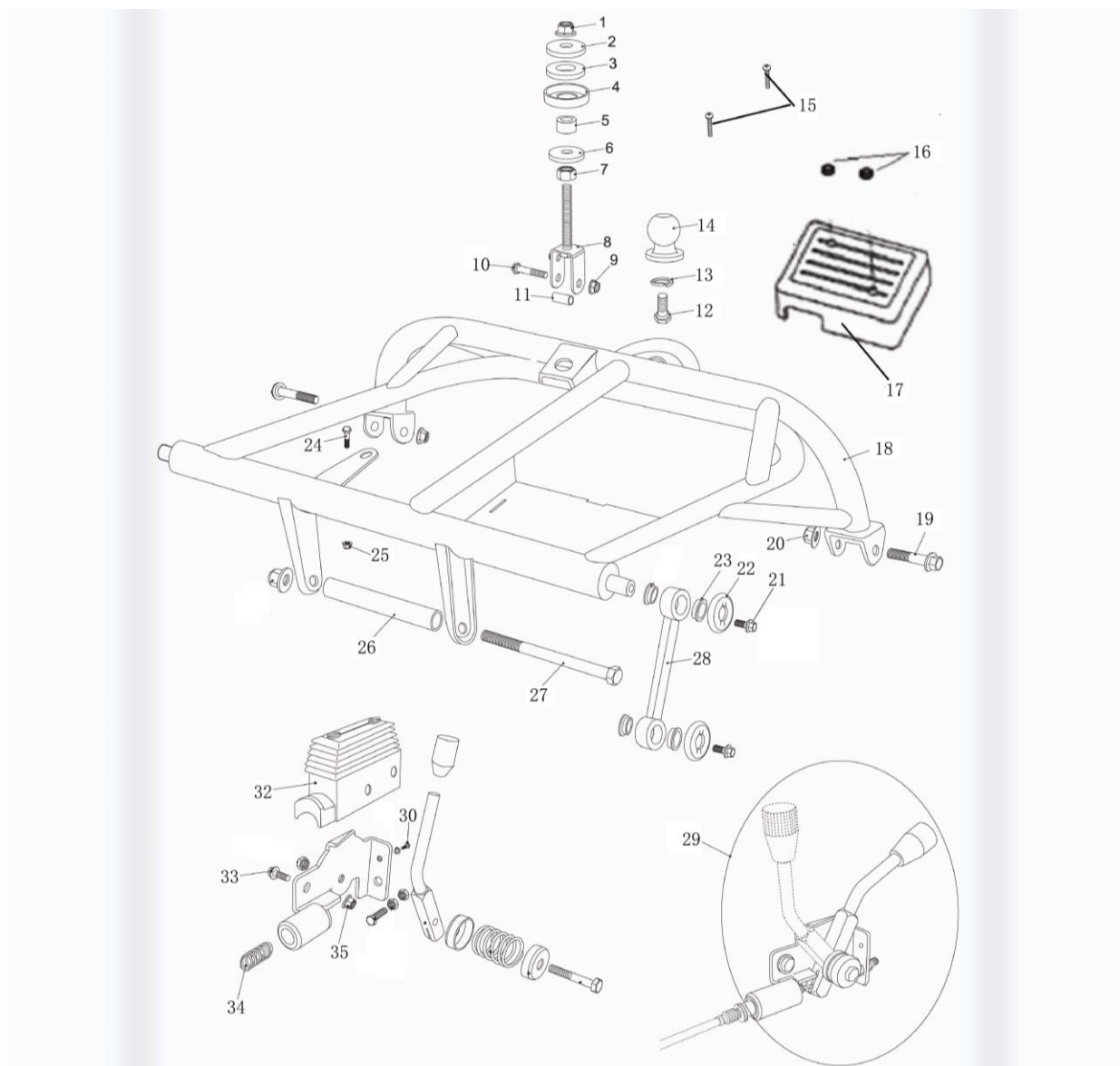
7	94571200012505	CASTLE NUT M12X1.25	4	
8	7020025250G000	BALL HEAD DUST SEAL	4	
9	8020053250G000	BALL HEAD SPACER	4	
10	2010027250GH01	STRUT AND SPINDLE SUPPORT L	1	
12	57891004012505	GB5789 M10X1.25X40	2	
13	61871000012505	GB6187 M10 NUT	16	
14	6000325250G002	FRONT SHOCK	2	
15	5400600400N000	LUBRICATING NIPPLE	6	
16	57891008012505	GB5789 M10X1.25X80	4	
17	8020034250G100	LOWER SUSPENSION ARM DUST CAP	8	
18	8010014250G000	LOWER SUSPENSION ARM COLLAR	4	
19	7010002250G000	LOWER SUSPENSION ARM BUSHING	8	
20	9040001250G000	O-RING ϕ 21.2X2.65	8	
21	4000041080GH01	LOWER SUSPENSION ARM	2	
22	57891004012505	GB5789 M10X1.25X40	2	
23	97001200000005	WASHER ϕ 12	4	
24	GB912503000002	COTTER PIN ϕ 2.5X30	6	
25	57870801412505	GB5787 M8X14	4	
26	57830601610005	GB5783 M6X16	12	
27	8010054250G000	FRONT BRAKE DISC	2	
28	YF047002500700	OIL SEAL 47X25-7	2	
29	62042RS0000000	BEARING 6204-2RS	2	
30	9710031250G100	TIRE BOLT M10X1.25X31	8	
31	8010085250GH00	FRONT WHEEL HUB	2	
32	62022RS0000000	BEARING 6202-2RS	2	
33	5400500150G000	FRONT TIRE 19*7-8	2	
34	6000142250G000	FRONT RIM	2	
35	7190018250G000	AIR VALVE	2	
36	6.000.097-GT-4	RIGHT WHEEL ASSY	1	
37	6.000.003-GT-4	LEFT WHEEL ASSY	1	
38	61871000012505	GB6187 M10 NUT	16	
39	94571400015005	CASTLE NUT M14	2	
40	7020039250G000	HUB COVER	2	
41	97001400000005	WASHER ϕ 14	2	
42	93000800000005	SPRING WASHER ϕ 8	4	

FIG 20: REAR CARGO RACK/SEAT/BELT



NO.	PART NO.	DESCRIPTION	QTY.
1	4000029250G000	GAS TANK	1
2	6000145080G000	GAS CAP	1
3	57870802512505	GB5787 M8X25	4
4	8010034250G000	TANK COLLAR	4
5	7020005250G000	TANK CUSHION	4
6	6000046150G000	AUTO FUEL COCK ASSY.	1
7	7020021150G000	GAS TUBE 1	1
8	6000056250G000	GAS FILTER	1
9	7020022150G000	GAS TUBE 2	1
10	7020031150G000	VACUUM TUBE	1
11	6000354150G000	SEAT BELT	2
12	9700001250G000	SEAT BELT BOLT	10
13	9700002250G000	SEAT BELT WASHER	10
14	9700003250G000	SEAT BELT NUT	10
15	6000330080G001-150	SEAT R	1
16	6000331080G001-150	SEAT L	1
17	6000379150G000	SEAT RAIL SET	1
18	37000804512503	SEAT BOLT M8X45	2
19	61770800012505	GB6177 NUT M8	2
20	57870804012505	GB5787 BOLT M8X40	6
21	57871202012501	GB5787 BOLT M12X20	8
22	61701200012505	GB6170 NUT M12	8

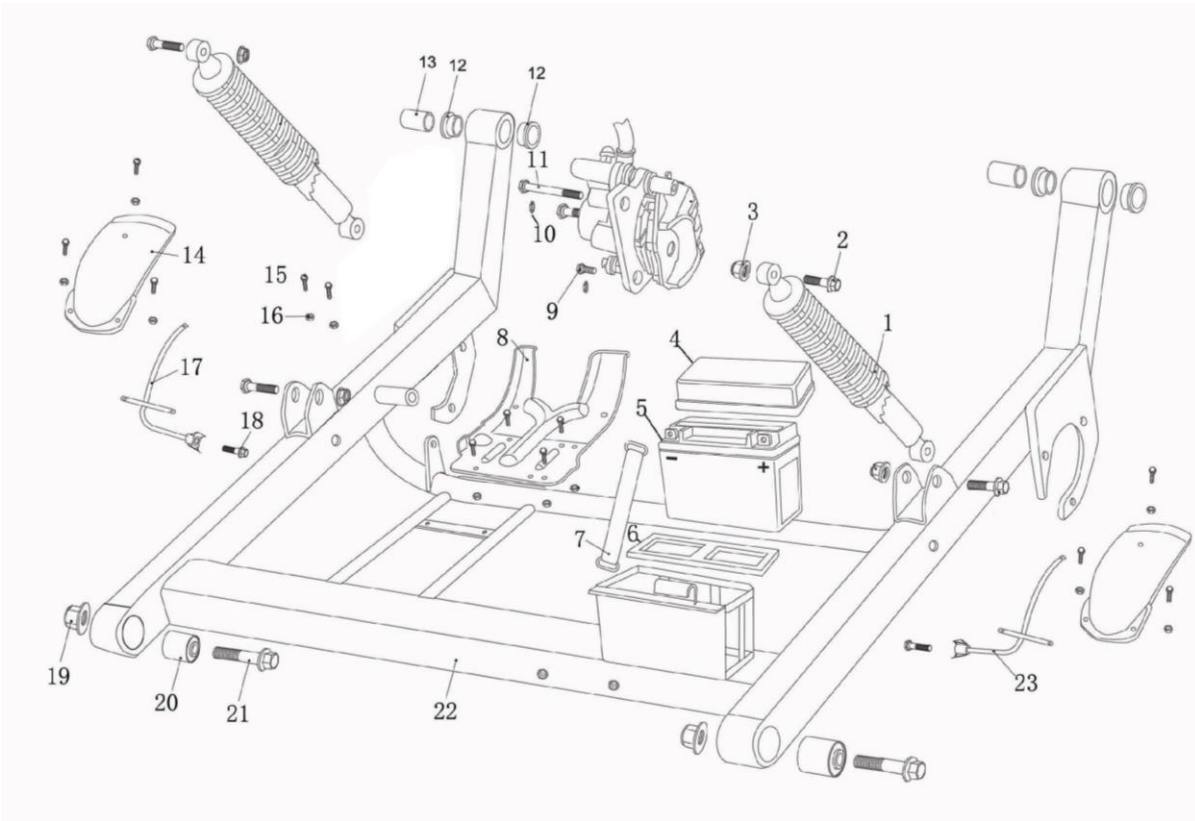
FIG 21: REAR SWING ARM ASSY.UPPER



NO.	PART NO.	DESCRIPTION	QTY.
1	61871200012505	GB6187 BOLT M12X1.25	1
2	8010042250G100	ENGINE MOUNT LINK WASHER	1
3	7020001080G000	ENGINE MOUNT LINK CUSHION	1
4	8020045080G100	ENGINE MOUNT LINK SPACER	1
5	8010041080G000	ENGINE MOUNT LINNK COLLAR	1
6	8010042250G100	ENGINE MOUNT LINK WASHER	1
7	61701200012505	GB6170 NUT M12X1.25	1
8	6000026150GH00	ENGINE MOUNT PLATE BLOT	1
9	61871000012505	GB6187 M10X1.25 NUT	2
10	57851004512505	GB5785 10X45	1
11	8010076150G100	ENGINE MOUNT PLATE BLOT COLLAR	1

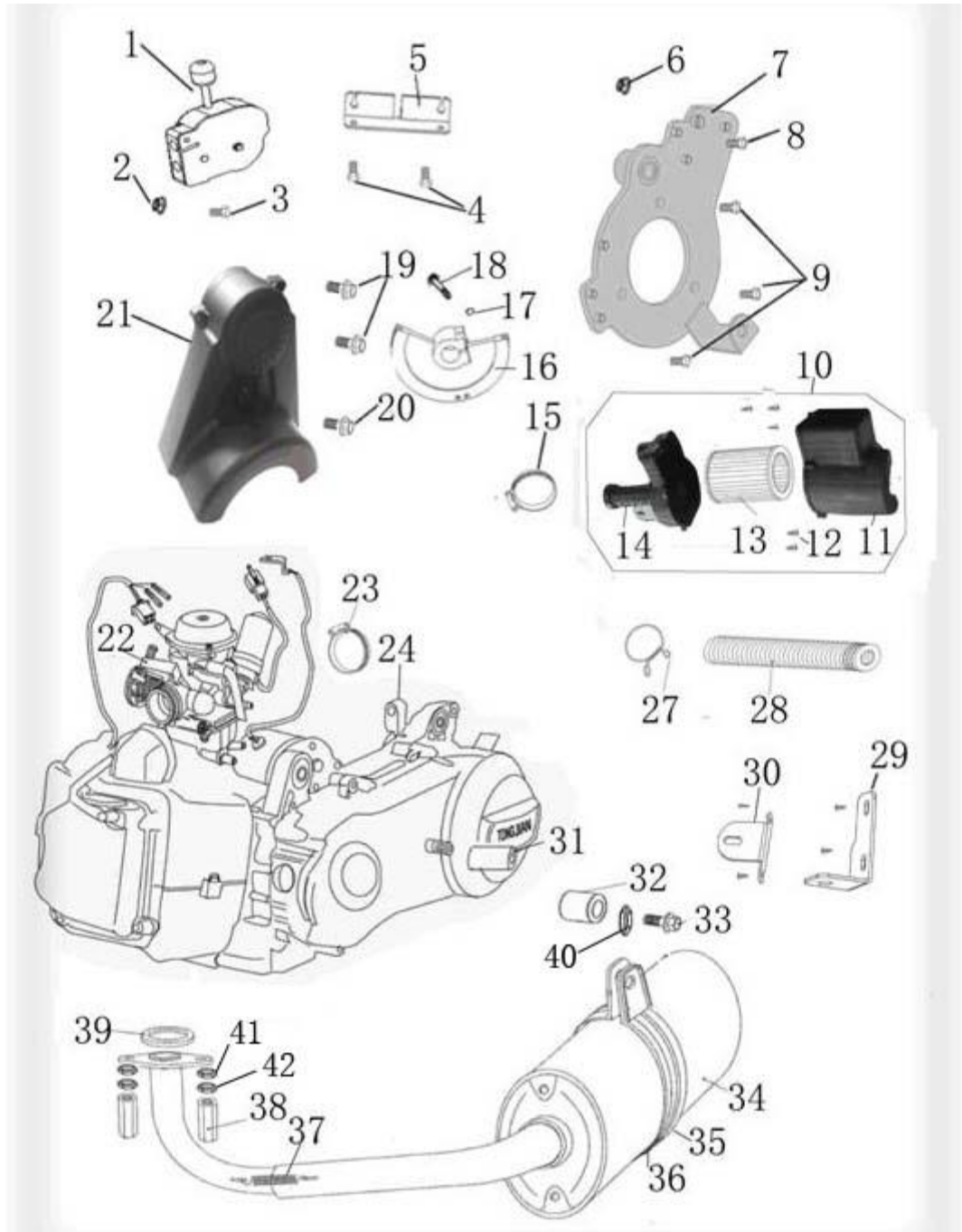
12	57831602520003	BOLT M16X2X25	1	
13	93001600000003	SPRING WASHER GB93 ø16	1	
14	8010084250G000	TOW BALL	1	
15	81800606010004	SCREW M6X60	2	
16	7010006250G000	BOLT COVER	2	
17	7010029250G000	ELECTRIC ASSY BOX	1	
18	2000029150GH01	REAR SWING ARM ASSY. UPPER	1	
19	57871206012505	GB5787 M12X1.25X60	2	
20	61871200012505	GB6187 NUT M12X1.25	2	
21	70000805512505	GB70 M8X55 BOLT	2	
22	8020013150G000	SPACER CON'ROD	4	
23	7010002250G000	BUSHING CON'ROD	8	
24	57890602512505	GB5789 BOLT M6X25	1	
25	61870600010005	GB6187 M6 NUT	1	
26	8010025150G100	ENGINE MOUNT COLLAR	1	
27	57871019012505	GB5787 M10X1.25X190	1	
28	8030001150GH01	CON'ROD	2	
29	6000042150G000	PARKING BRAKE LEVER ASSY	1	
30	90746501610005	GB9074 M5X16	1	
31	70001005512505	GB70 M10X55 BOLT	2	
32	7020024150G000	REVERSE LEVER COVER	1	
33	57870802012505	GB5787 BOLT M8X20	2	
34	8040004150G000	HAND BRAKE SPRING	1	
35	61870800012505	GB6187 NUT M8	2	

FIG 22: REAR SWING ARM



NO.	PART NO.	DESCRIPTION	QTY.
1	600006150G002	CUSHION ASSY. REAR	2
2	57891004012505	GB5789 M10X40	4
3	61871000012505	GB6187 M10X1.25 NUT	4
4	7010028250G000	BATTERY COVER	1
5	6000382250G000	BATTERY	1
6	7020020250G000	BATTERY LOWER CUSHION	1
7	7020023250G000	BATTERY BAND	1
8	7010032150G001	CHAIN DISC GUARD	1
9	57890801212505	GB5789 M8X12	1
10	93000800000005	SPRING WASHER φ8	2
11	57890810012505	GB5789 M8X100 BOLT	1
12	7010006150G000	SWING ARM BUSHING	4
13	8010028150G100	SWING ARM COLLAR	2
14	7010064150G000	REAR FENDER	2
15	57890601610005	GB5789 M6X16	10
16	61770600010005	GB6177 M6 NUT	10
17	6000101150GH000R	REAR FENDER BRACKET R	1
18	57870804512505	GB5787 M8X45	2
19	61871200012505	GB6187 M12X1.25	2
20	7020008250G000	SWING ARM CUSHION BUSHING	2
21	57871206012505	GB5787 M12X1.25X60	2
22	2000042150GH01	REAR SWING ARM	1
23	6000101150GH000L	REAR FENDER BRACKET L	1

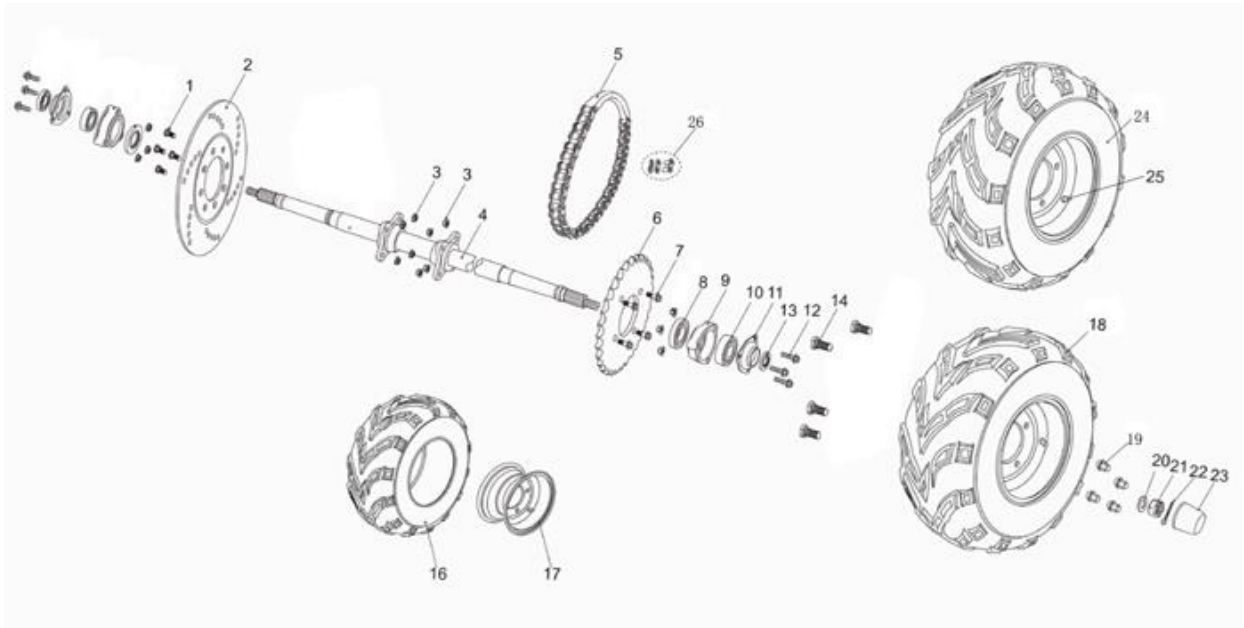
FIG 23: ENGIN/MUFFLER/EIR/CLEANER



NO.	PART NO.	DESCRIPTION	QTY.
1	4070000300G000	SHIFTER ASSY	1
2	61870800012505	GB6187 M8 NUT	1
3	57870802012505	GB5787 M8X20	1
4	57890601210005	GB5789 M6X12	2
5	4000100300G200	REVERSE CABLE FIXED PLATE	1
6	6177080012505	GB6177 M8	1
7	1010000300G000	ENGINE MOUNT PLATE	1
8	57890801612505	GB5789 M8X16	1
9	57810801612505	GB5781 M8X16	3
10	4000018150G000	AIR CLEANER ASSY.	1

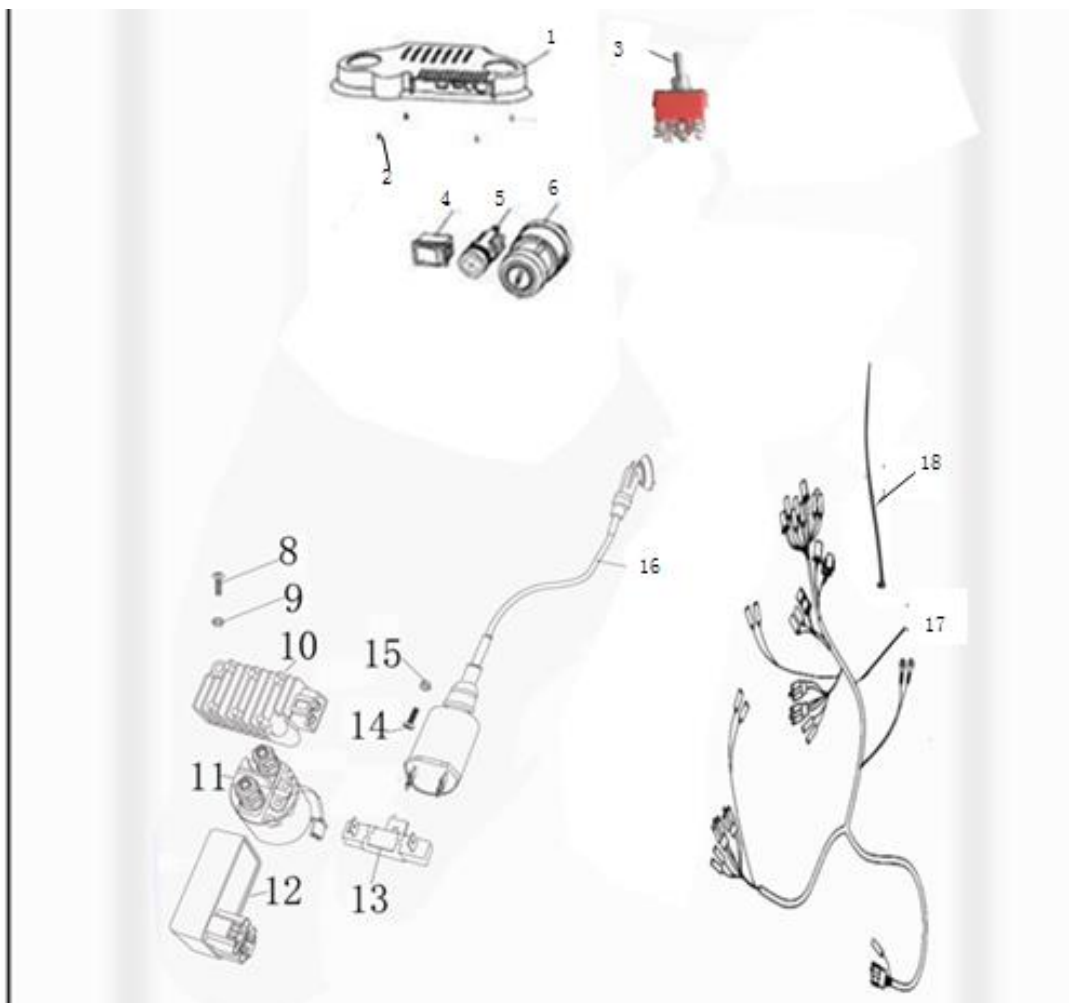
11	7010047150G000	AIR CLEANER CASE COMP.	1	
12	84505001600002	TAPPING SCREW M5X20	9	
13	6000151150G000	AIR CLEANER ELEMENT	1	
14	4.000.018-2	AIR CLEANER ASSY. TUBE	1	
15	8020056150G000	AIR CLEANER CLAMP	1	
16	4000200300G200	SHIFTER DISC	1	
17	93000600000005	SPRING WASHER $\phi 6$	1	
18	57830602510005	GB5783 M6X25	1	
19	57890602510005	GB5789 M6X25	2	
20	57890802512505	GB5789 M8X25	1	
21	7010033150G001	CHAIN PROTECTOR RR	1	
22	PD24J00150G000	CARBURETOR	1	
23	152.08.210	INTAKE TUBE CLAMP COMP.		
24	1100000150G0A0	150CC ENGINE	1	
27	7020054150G000	AIR CLEANER CLIP	1	
28	7010057150G000	AIR CLEANER DUCT	1	
29	4900300150G000	AIR CLEANER MOUNT PLATE RR	1	
30	4900200150G000	AIR CLEANER MOUNT PLATE FR	1	
31	8030037150G000	MUFFLER RACK SUPPORT	1	
32	5813000150G000	BUSHING	1	
33	57870805012505	GB5787 M8X50	1	
34	6000229150G000	MUFFLER ASSY.	1	
35	8020166250G000	EMBRACE HOOP	1	
36	8.020.167	EMBRACE HOOP RUBBER CUSHION	1	
37	58235400N000	MUFFLER SPRING	2	
38	9040027150G000	MUFFLER JOINT NUT	2	
39	9040005150G000	EX. PIPE GASKET	1	
40	96001000000005	GB96 WASHER $\phi 10$	1	
41	97000600000005	GB97 WASHER $\phi 6$	2	
42	93000600000005	GB93 SPRING WASHER $\phi 6$	2	

FIG 24 REAR HOUSING



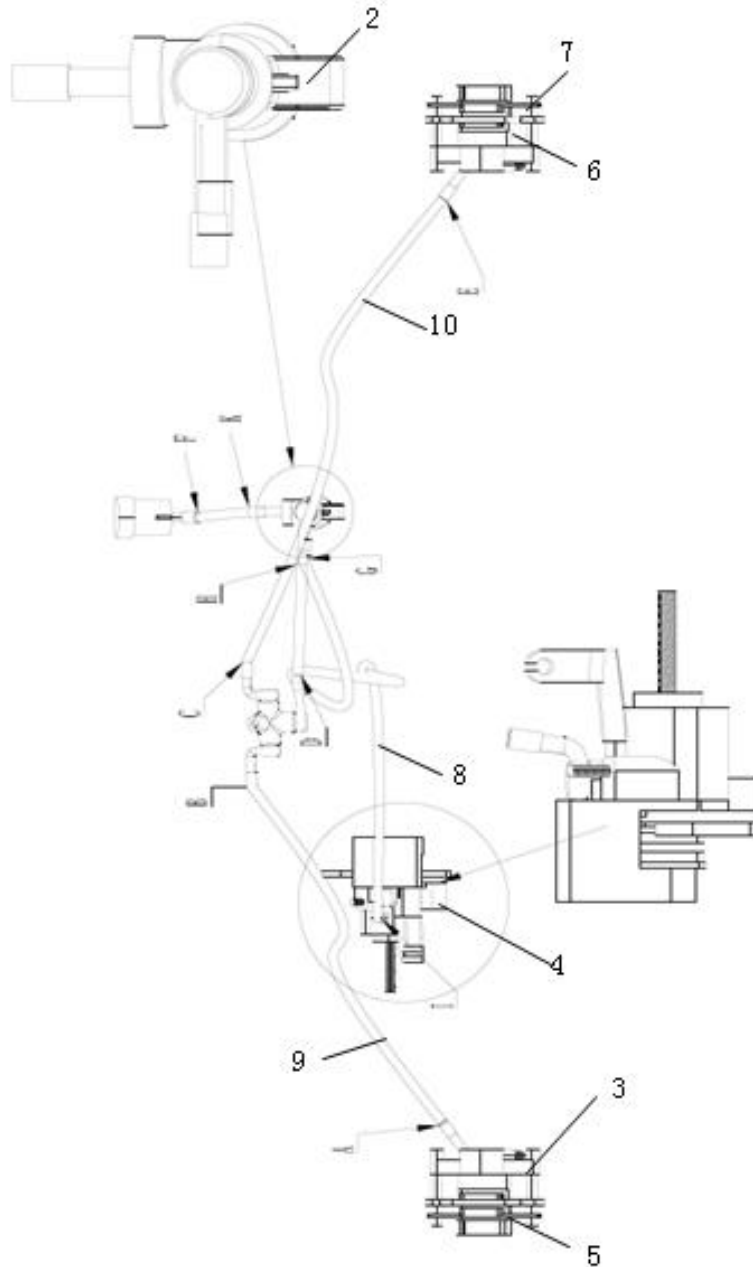
NO.	PART NO.	DESCRIPTION	QTY.	
1	57890802512505	GB5789 BOLT M8X22	4	
2	8010053250G000	REAR BRAKE DISC	1	
3	61870800012505	GB6187 NUT M8	14	
4	8010057150G0A0	REAR AXLE	1	
5	5300542150G000	530-52 CHAIN	1	
6	8110077250G000	39T SPROCKET	1	
	157F.10.480-12	12T SPROCKET	1	
7	57890803012505	GB5789 BOLT M8X30	4	
8	YF050003400700	OIL SEAL 50X34X7	2	
9	8030008150G100	RR. AXLE BRG HOUSING COMP	2	
10	62062RS0000000	BEARING 6206-2RS	2	
11	8020028150G100	BEARING BASE	2	
12	57870804012505	GB5787 M8X40 BOLT	6	
13	YF042003000700	OIL SEAL 30X42X7	2	
14	9710031250G000	TIRE BOLT M10X1.25X31	8	
16	4403100150G000	REAR TIRE 18*9.50-8	2	
17	6000143150G001	REAR RIM	2	
18	6.000.383-B4	REAR LEFT WHEEL ASSY	1	
19	61871000012505	GB6187 M10X1.25 NUT	8	
20	97001600000005	GB97 WASHER φ16	2	
21	94571500015005	CASTLE NUT M16X1.5	2	
22	GB914004000002	COTTER PIN φ4X40	2	
23	7020039250G000	HUB COVER	2	
24	6.000.052-B4	REAR RIGHT WHEEL ASSY	1	
25	7190018250G000	AIR VALVE	2	
26	6000149150G000	CHAIN MASTER LINK	1	

FIG 25 WIRE HARNESS/ELECTRICAL



NO.	PART NO.	DESCRIPTION	QTY.
1	7010076080G003	SWITCH PANEL COVER	1
2	28234201300005	TAPPING SCREW 4.2X13	4
3	8120000080GA00	ON-OFF SWITCH	1
4	6000133080G000	HORN BUTTON	1
5	6000159250G000	ENGINE STOP BUTTON	1
6	6000165080G001	IGNITION START SWTICH	1
8	81800603010004	GB818 BOLT M6X30	2
9	61870600010005	GB6187 NUT M6	2
10	6000124150G000	REGULATE RECTIFIER	1
11	6000035250G000	STARTING RELAY	1
12	6000126150G000	C.D.I UNIT	1
13	6000038250G000	RESISTOR COMP	1
14	57870602510005	GB5787 BOLT M6X25	1
15	61870600010005	GB6187 NUT M6	1
16	6000125150G000	IGNITION COIL	1
17	8002500150G001	WIREHARNES	1
18	12111208035	ZIP TIE	25

FIG 26 BRAKE ASSY



NO.	PART NO.	DESCRIPTION	QTY.	
1	4510000150G000	BRAKE ASSY.	1	
2	6000076250G000	BRAKE MASTER CYLINDER	1	
3	6000095250G000	FRONT BRAKE CALIPER R	1	
4	6000028250G000	FRONT BRAKE CALIPER L	1	
5	7020016250G000	FRONT BRAKE PAD	2	
6	6000229300G000	REAR BRAKE CALIPER	1	
7	7020022150G000	REAR BRAKE PAD	1	
8	6.000.089-B4	BRAKE HOSE L	1	
9	6.000.090-B4	BRAKE HOSE R	1	
10	6.000.091-B4	BRAKE HOSE REAR	1	